

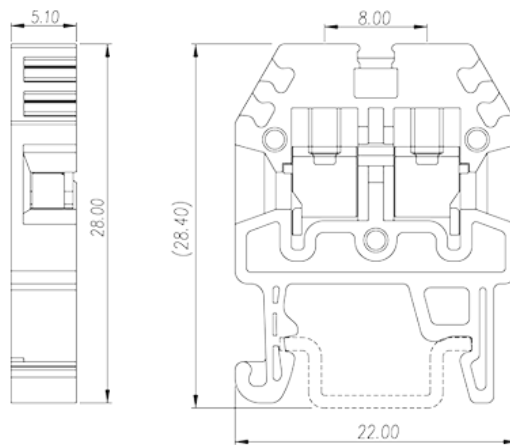
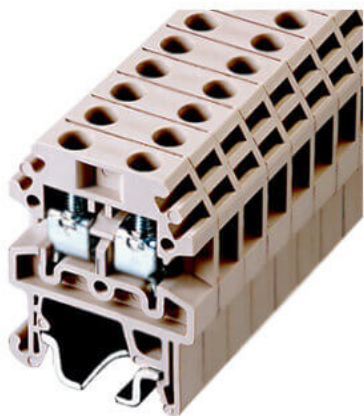
DK2.5S

DIN

>

:2018-08-20

:1.2



M2.5, 300V, 20A , Grey color

	DIN rail terminal blocks , Feed through terminal blocks
	Feed through terminal blocks
	Grey(default)
	Screw connection
	Rail mounting
(mm)	5.1
(mm)	22
(mm)	28
	Single level
	2
	PA66
	I
UL 94	V0
	Copper Alloy
	Tinned



-IEC

(V)	500
(A)	24
(III/2)(V)	500
(II/2)(KV)	4
(III/2)(KV)	4
(III/3)(KV)	4
(mm ²)	0.34
(mm ²)	2.5
(mm ²)	0.34
(mm ²)	2.5
(mm ²) , ,	0.34
(mm ²) , ,	1.5
(mm ²) , ,	0.34
(mm ²) , ,	1.5
2 (mm ²)	1
2 (mm ²)	1
(mm ²) 2 , ,	0.34
(mm ²) 2 , ,	0.75
2 (mm ²) , ,	0.5
2 (mm ²) , ,	0.75
	M2.5
Width)(mm) (Blade thickness x	0.6x3.5
Philips	PH1
(N.m)	0.4
	7~9
	TS-15
	YES
	NO



-UL

(UL/CUL Group B)(V)		300
(UL/CUL Group B)(A)		20
(UL/CUL Group C)(V)		300
(UL/CUL Group C)(A)		20
(UL/CUL Group D)(V)		300
(UL/CUL Group D)(A)		10
UL/CUL	AWG	22
UL/CUL	AWG	12
UL/CUL	AWG	22
UL/CUL	AWG	12

&

(YES or NO)		YES
가 (YES or NO)		YES
		115
		-40

UL

(Group B)(AWG)		22~12
(Group B)(V)		300
(Group B)(A)		20
(Group C)(AWG)		22~12
(Group C)(V)		300
(Group C)(A)		20
(Group D)(AWG)		22~12
(Group D)(V)		300
(Group D)(A)		10

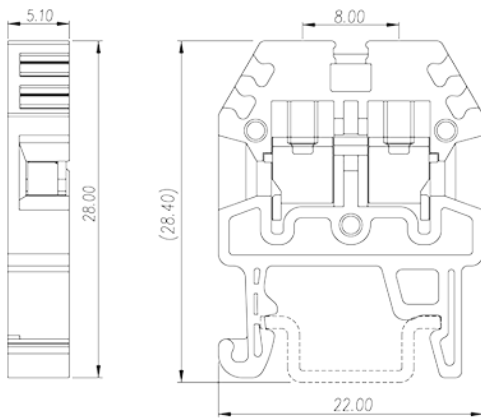
CUL

(Group B)(AWG)		22~12
(Group B)(V)		300
(Group B)(A)		20
(Group C)(AWG)		22~12

(Group C)(V)	300
(Group C)(A)	20
(Group D)(AWG)	22~12
(Group D)(V)	300
(Group D)(A)	10

VDE

(mm ²)	0.34~2.5
(V)	500
(A)	24



circuit diagram

