

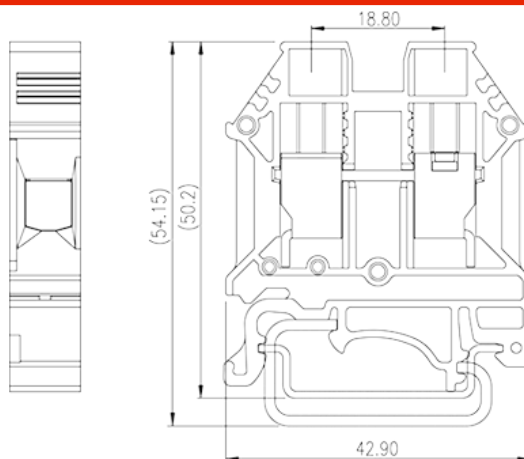
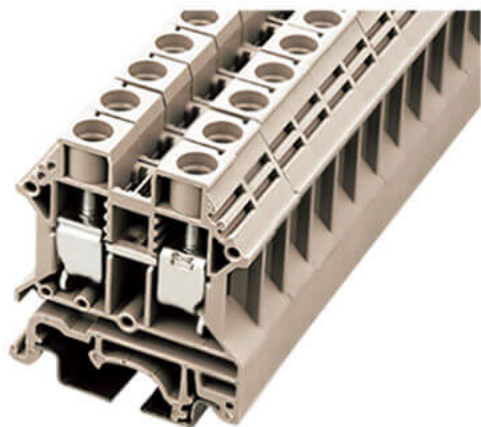
DK10N

DIN

>

:2018-08-20

:1.2



M4, 600V, 60A , Grey color

	DIN rail terminal blocks , Feed through terminal blocks
	Feed through terminal blocks
	Grey(default)
	Screw connection
	Rail mounting
(mm)	10
(mm)	49.3
(mm)	42.9
	Single level
	2
	PA66
	I
UL 94	V0
	Copper Alloy
	Tinned



-IEC

(V)		1000
(A)		57
(III/2)(V)		1000
(II/2)(KV)		8
(III/2)(KV)		8
(III/3)(KV)		8
(mm ²)		0.5
(mm ²)		10
(mm ²)		0.5
(mm ²)		10
(mm ²)	,	0.5
(mm ²)	,	10
(mm ²)	,	0.5
(mm ²)	,	10
2	(mm ²)	6
2	(mm ²)	6
(mm ²) ²	,	0.5
(mm ²) ²	,	4
2	(mm ²)	0.5
2	(mm ²)	6
		M4
Width)(mm)	(Blade thickness x	1.0x5.5
Philips		PH2
(N.m)		1.3
		12~14
		TS-35/TS-32
		YES
		NO



-UL

(UL/CUL Group B)(V)		600
(UL/CUL Group B)(A)		60
(UL/CUL Group C)(V)		600
(UL/CUL Group C)(A)		60
(UL/CUL Group D)(V)		600
(UL/CUL Group D)(A)		5
UL/CUL	AWG	20
UL/CUL	AWG	6
UL/CUL	AWG	20
UL/CUL	AWG	6

&

(YES or NO)		YES
가 (YES or NO)		YES
		115
		-40

UL

(Group B)(AWG)		20~6
(Group B)(V)		600
(Group B)(A)		60
(Group C)(AWG)		20~6
(Group C)(V)		600
(Group C)(A)		60
(Group D)(AWG)		20~6
(Group D)(V)		600
(Group D)(A)		5

CUL

(Group B)(AWG)		20~6
(Group B)(V)		600
(Group B)(A)		60
(Group C)(AWG)		20~6

(Group C)(V)	600
(Group C)(A)	60
(Group D)(AWG)	20~6
(Group D)(V)	600
(Group D)(A)	5

VDE

(mm ²)	0.5~10
(V)	1000
(A)	57

