

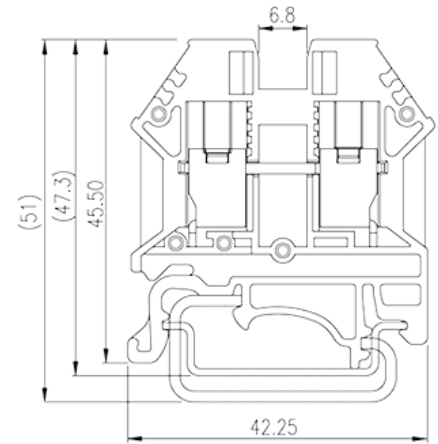
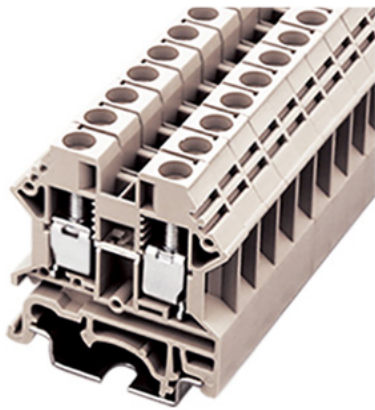
DK6N

DIN

>

:2018-08-20

:1.2



M4, 600V, 50A , Grey color

	DIN rail terminal blocks , Feed through terminal blocks
	Feed through terminal blocks
	Grey(default)
	Screw connection
	Rail mounting
(mm)	8
(mm)	45
(mm)	41.75
	Single level
	2
	PA66
	I
UL 94	V0
	Copper Alloy
	Tinned



-IEC

(V)	1000
(A)	41
(III/2)(V)	1000
(II/2)(KV)	8
(III/2)(KV)	8
(III/3)(KV)	8
(mm ²)	0.5
(mm ²)	6
(mm ²)	0.5
(mm ²)	6
(mm ²) , ,	0.5
(mm ²) , ,	6
(mm ²) , ,	0.5
(mm ²) , ,	6
2 (mm ²)	4
2 (mm ²)	4
(mm ²) 2 , ,	0.5
(mm ²) 2 , ,	4
2 (mm ²) , ,	0.5
2 (mm ²) , ,	4
	M4
Width)(mm) (Blade thickness x	0.8x4.0
Philips	PH2
(N.m)	1.2
	12~14
	TS-35/TS-32
	YES
	NO



-UL

(UL/CUL Group B)(V)		600
(UL/CUL Group B)(A)		50
(UL/CUL Group C)(V)		600
(UL/CUL Group C)(A)		50
(UL/CUL Group D)(V)		600
(UL/CUL Group D)(A)		5
UL/CUL	AWG	20
UL/CUL	AWG	8
UL/CUL	AWG	20
UL/CUL	AWG	8

&

(YES or NO)		YES
가 (YES or NO)		YES
		115
		-40

UL

(Group B)(AWG)		20~8
(Group B)(V)		600
(Group B)(A)		50
(Group C)(AWG)		20~8
(Group C)(V)		600
(Group C)(A)		50
(Group D)(AWG)		20~8
(Group D)(V)		600
(Group D)(A)		5

CUL

(Group B)(AWG)		20~8
(Group B)(V)		600
(Group B)(A)		50
(Group C)(AWG)		20~8

(Group C)(V)	600
(Group C)(A)	50
(Group D)(AWG)	20~8
(Group D)(V)	600
(Group D)(A)	5

VDE

(mm ²)	0.5~6
(V)	1000
(A)	41

