

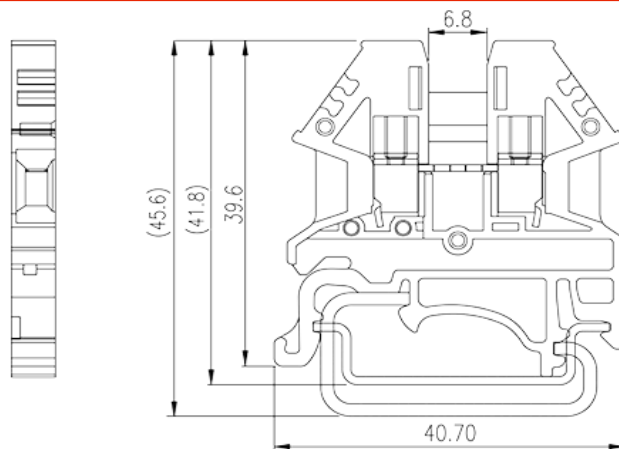
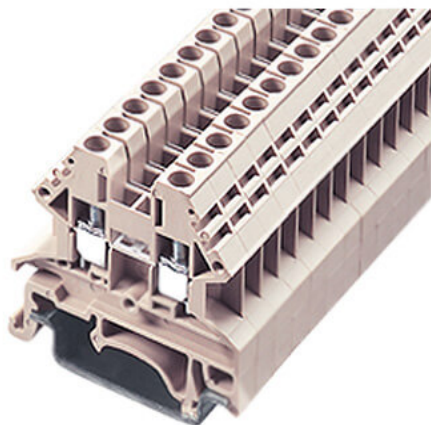
DK2.5N

DIN

>

:2018-08-20

:1.2



M2.5, 600V, 20A , Grey color

| | |
|-------|---|
| | DIN rail terminal blocks , Feed through terminal blocks |
| | Feed through terminal blocks |
| | Grey(default) |
| | Screw connection |
| | Rail mounting |
| (mm) | 5.1 |
| (mm) | 40.5 |
| (mm) | 39.6 |
| | Single level |
| | 2 |
| | PA66 |
| | I |
| UL 94 | V0 |
| | Copper Alloy |
| | Tinned |



-IEC

| | | |
|--------------------|----------------------|-------------|
| (V) | | 1000 |
| (A) | | 24 |
| (III/2)(V) | | 1000 |
| (II/2)(KV) | | 8 |
| (III/2)(KV) | | 8 |
| (III/3)(KV) | | 8 |
| (mm ²) | | 0.34 |
| (mm ²) | | 2.5 |
| (mm ²) | | 0.34 |
| (mm ²) | | 2.5 |
| (mm ²) | , | 0.34 |
| (mm ²) | , | 2.5 |
| (mm ²) | , | 0.34 |
| (mm ²) | , | 2.5 |
| 2 | (mm ²) | 2.5 |
| 2 | (mm ²) | 2.5 |
| (mm ²) | 2 , | 0.34 |
| (mm ²) | 2 , | 1 |
| 2 | (mm ²) , | 0.5 |
| 2 | (mm ²) , | 1 |
| | | M2.5 |
| Width)(mm) | (Blade thickness x | 0.6x3.5 |
| Philips | | PH1 |
| (N.m) | | 0.4 |
| | | 9~11 |
| | | TS-35/TS-32 |
| | | YES |
| | | NO |



-UL

| | | |
|---------------------|-----|-----|
| (UL/CUL Group B)(V) | | 600 |
| (UL/CUL Group B)(A) | | 20 |
| (UL/CUL Group C)(V) | | 600 |
| (UL/CUL Group C)(A) | | 20 |
| (UL/CUL Group D)(V) | | 600 |
| (UL/CUL Group D)(A) | | 5 |
| UL/CUL | AWG | 22 |
| UL/CUL | AWG | 12 |
| UL/CUL | AWG | 22 |
| UL/CUL | AWG | 12 |

&

| | | |
|---------------|--|-----|
| (YES or NO) | | YES |
| 가 (YES or NO) | | YES |
| | | 115 |
| | | -40 |

UL

| | | |
|----------------|--|-------|
| (Group B)(AWG) | | 22~12 |
| (Group B)(V) | | 600 |
| (Group B)(A) | | 20 |
| (Group C)(AWG) | | 22~12 |
| (Group C)(V) | | 600 |
| (Group C)(A) | | 20 |
| (Group D)(AWG) | | 22~12 |
| (Group D)(V) | | 600 |
| (Group D)(A) | | 5 |

CUL

| | | |
|----------------|--|-------|
| (Group B)(AWG) | | 22~12 |
| (Group B)(V) | | 600 |
| (Group B)(A) | | 20 |
| (Group C)(AWG) | | 22~12 |

| | |
|----------------|-------|
| (Group C)(V) | 600 |
| (Group C)(A) | 20 |
| (Group D)(AWG) | 22~12 |
| (Group D)(V) | 600 |
| (Group D)(A) | 5 |

VDE

| | |
|--------------------|----------|
| (mm ²) | 0.34~2.5 |
| (V) | 1000 |
| (A) | 24 |

