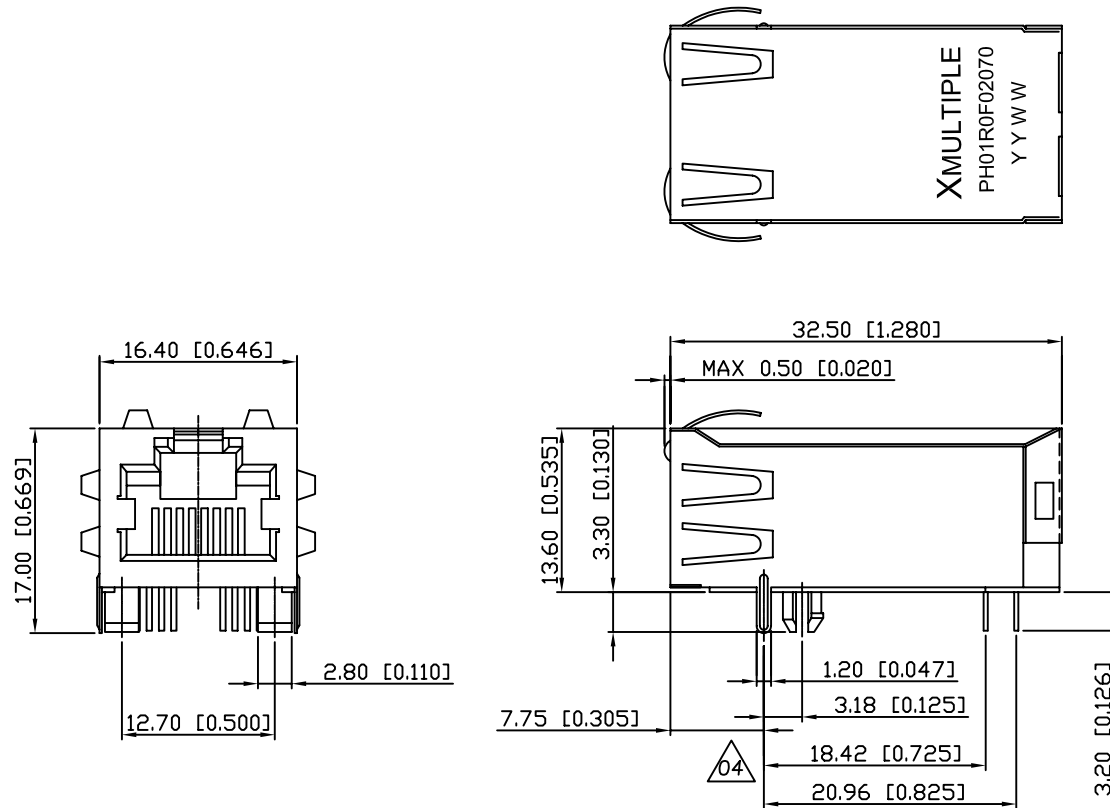


# 1. MECHANICAL DIMENSIONS :



## NOTES:

### 1. MATERIALS:

HOUSING: HIGH TEMP. THERMOPLASTIC, PBT  
, UL 94V-0, BLACK

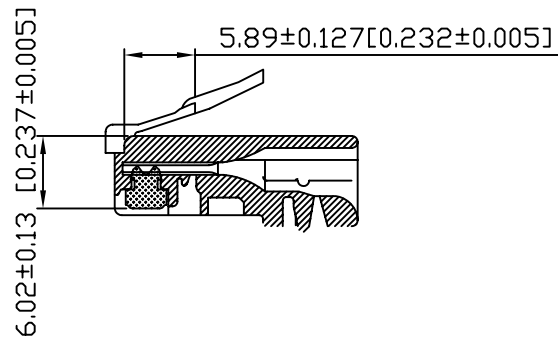
CONTACTS-0.35mm THICK PHOS-BRONZE PLATED  
WITH 30u" GOLD AND TIN IN  
SOLDER AREA.

SHIELD-0.25mm THICK COPPER ALLOY,  
PLATED WITH NICKEL.

### 2. CAVITY CONFORMS TO FCC RULES AND REGULATIONS PART 68,SUBPART F.

3. UNSPECIFIED TOLERANCE: .XX ±0.25 [0.010]  
.X ±0.30 [0.012]

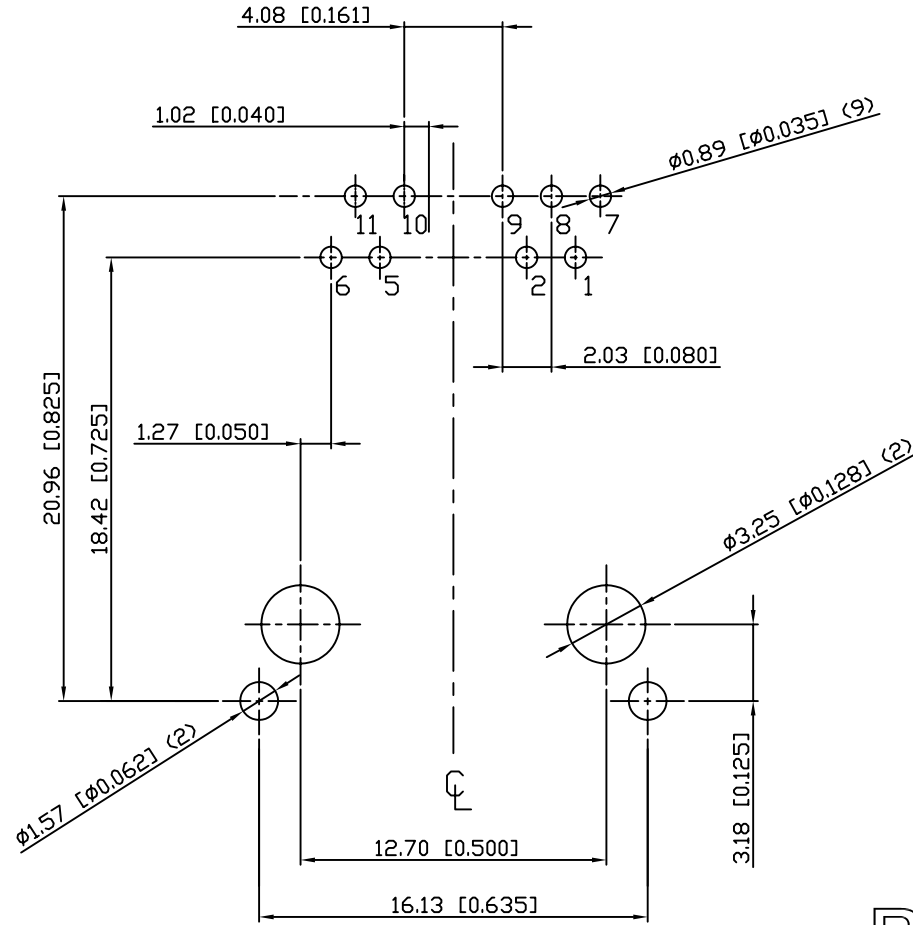
## RECOMMENED PLUG DIMENSION:



# RoHS Compliant



		<small>CONNECTING THE INFORMATION AGE</small>	
<small>XMULTIPLE ASIA 4F, No. 347, Yang Guang St., Neihu Chu, Taipei, Taiwan 11475</small>		<small>XMULTIPLE USA 1420 Los Angeles Ave., Suite G, Simi Valley, CA 93065</small>	
<b>THIS DRAWING IS A CONTROLLED DOCUMENT.</b>		<small>G/NO:</small>	
<small>TITLE: RJ45, W/LED, with 10/100 Mbps Filter 8P,12C, Shielded, Thru Hole, FOR PoE.</small>		<small>DWG NO: XPJH-01R-0-F02-070</small>	
<small>PART NO: XPJH-01R-0-F02-070</small>		<small>DRAWN: LEON</small>	
		<small>CHKD: JEFF</small>	
<small>UNIT: mm [inch]</small>		<small>DATE: Sep.05,06</small>	
<small>SHEET: 1 of 3</small>		<small>REV: 04</small>	

## 2. PCB LAYOUT :



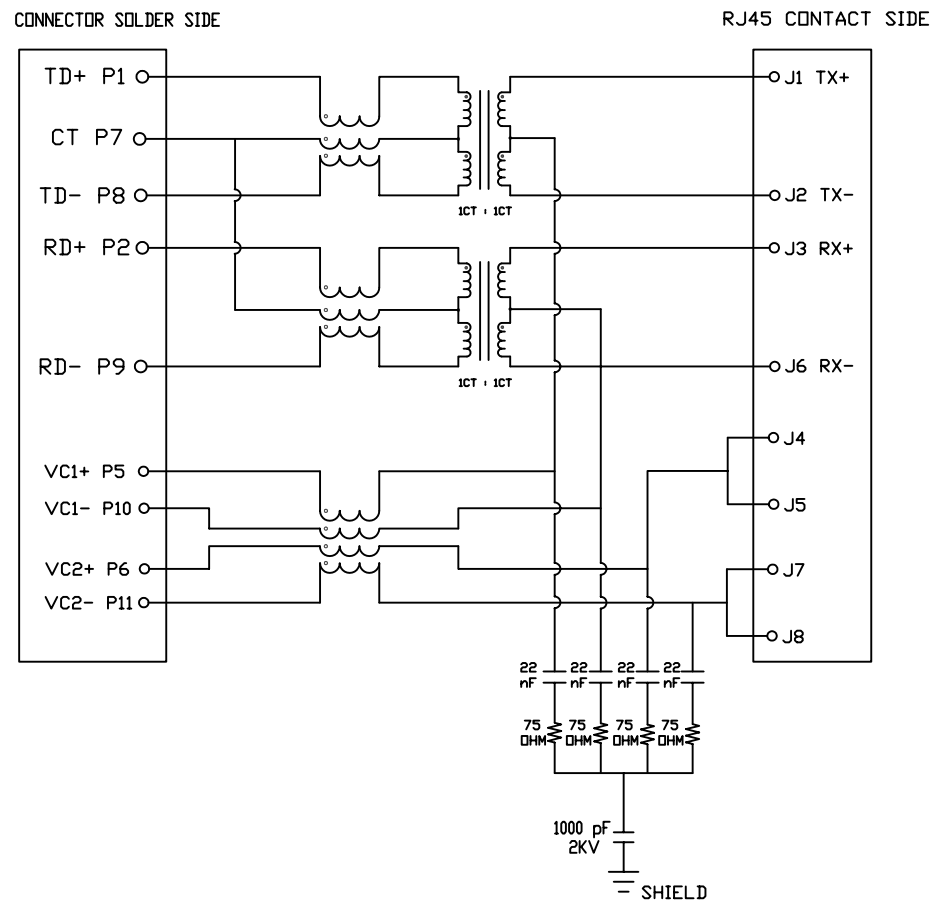
SUGGESTED PCB LAYOUT  
TOP VIEW

# RoHS Compliant

		CONNECTING THE INFORMATION AGE	
		G/NO:	
XMULTIPLE ASIA 4F, No. 347, Yang Guang St., Neihu Chu, Taipei, Taiwan 11475		XMULTIPLE USA 1420 Los Angeles Ave., Suite G, Simi Valley, CA 93065	
THIS DRAWING IS A CONTROLLED DOCUMENT.			
TITLE:		RJ45, W/LED, with 10/100 Mbps Filter 8P,12C, Shielded, Thru Hole, FOR PoE.	
PART NO:		XPJH-01R-0-F02-070	
		UNIT	SHEET
		mm[inch]	2 of 3
		REV	DATE
		04	Sep.05,06

F

### 3. SCHEMATIC:



XPJH-01R-0-F02-070

PRODUCT SERIES  
XPJH : LATCH UP AND STACKED  
FOR PoE TRANSFORMER

NUMBER OF PORTS  
MECHANICAL TYPE  
01R : XRJH 1 PORT, LENGTH=32.5mm,  
STRAIGHT PINS

LED COLOR OPTION

PROTOCOL TYPE  
F : 10/100 Mbps

SPECIAL CODE  
0 : STANDARD

SHIELDED TYPE  
7 : EMI FINGER ON ALL SIDE

LED POLARITY  
0 : W/O LED

CIRCUIT TYPE

### 4. ELECTRICAL CHARACTERISTICS :

TEST NOTES:(25±5°C)

1.TR:(100KHz,0.1V);

PINS:(P1-P8):(J1-J2)=1:1±3%

PINS:(P2-P9):(J3-J6)=1:1±3%

2.LX:(100KHz,100mV,8mA, DC Bias)

PINS: (P1,P8),(P2,P9)=350uH MINIMUM

3.DCR:

PINS:,(J1-J2),(J3-J6)= 1.2 OHMS MAXIMUM

4.HIPOT:

PINS(P1,P7,P8)TO(J1,J2)=1500VAC FOR 60 SECONDS

PINS(P7,P2,P9)TO(J3,J6)=1500VAC FOR 60 SECONDS

5.INSERTION LOSS:

-1.0dB MAXIMUM AT 0.3MHz TO 100MHz;

6.RETURN LOSS:

-20dB MINIMUM AT 1MHz TO 30MHz;

-15dB MINIMUM AT 30MHz TO 60MHz

-10dB MINIMUM AT 60MHz TO 80MHz

7.CROSS TALK:

-30dB MINIMUM AT 1MHz TO 100MHz

8.COMMON TO COMMON MODE REJECTION:

-30dB MINIMUM AT 1MHz TO 100MHz

# RoHS Compliant

X MULTIPLE		CONNECTING THE INFORMATION AGE	
X MULTIPLE ASIA 4F, No. 347, Yang Guang St., Neihu Chu, Taipei, Taiwan 11475		X MULTIPLE USA 1420 Los Angeles Ave., Suite G, Simi Valley, CA 93065	
THIS DRAWING IS A CONTROLLED DOCUMENT.		G/NO:	
TITLE: RJ45, W/LED, with 10/100 Mbps Filter 8P,12C, Shielded, Thru Hole, FOR PoE.		DWG NO: XPJH-01R-0-F02-070	
PART NO: XPJH-01R-0-F02-070		DRAWN: LEON	
		CHKD: JEFF	
UNIT mm[inch]		SHEET 3 of 3	
		DATE: Sep.05,06	