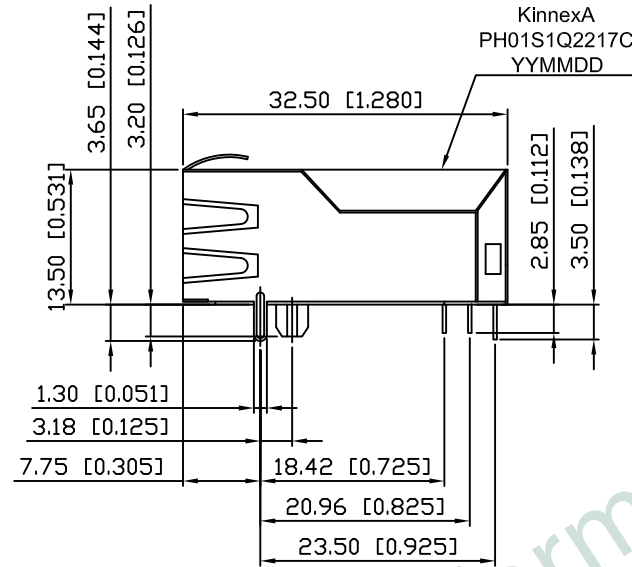
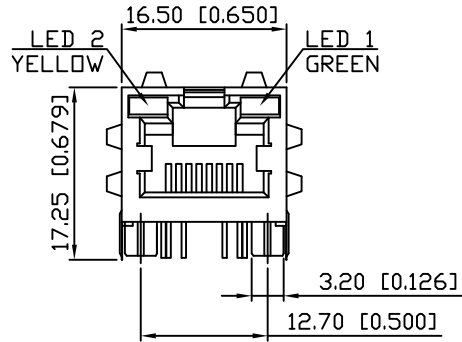
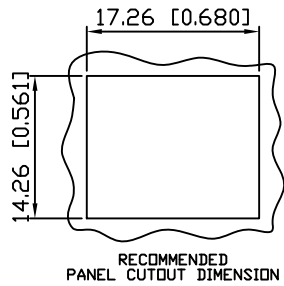


1. MECHANICAL DIMENSIONS :

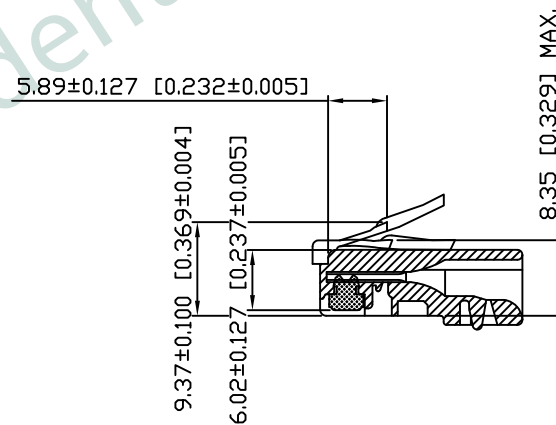


NOTES:

1. MATERIAL:
HOUSING: HIGH TEMP. THERMOPLASTIC, PBT, UL94V-0, COLOR-BLACK
CONTACTS: PHOS-BRONZE PLATED WITH 6u" GOLD AND TIN IN SOLDER AREA
SHIELD: COPPER ALLOY, PLATED WITH NICKEL
2. OPERATING TEMPERATURE: 0°C~+70°C
3. INSERTION FORCE: 4 POUNDS MAX.
EXTRACTION FORCE: 4 POUNDS MAX.
4. DURABILITY: 750 MATING CYCLED MIN.
5. CAVITY CONFORMS TO FCC RULES AND REGULATIONS PART 68, SUBPART F.
6. UNSPECIFIED TOLERANCE: .XX ±0.25[0.010]
.X ±0.30[0.012]



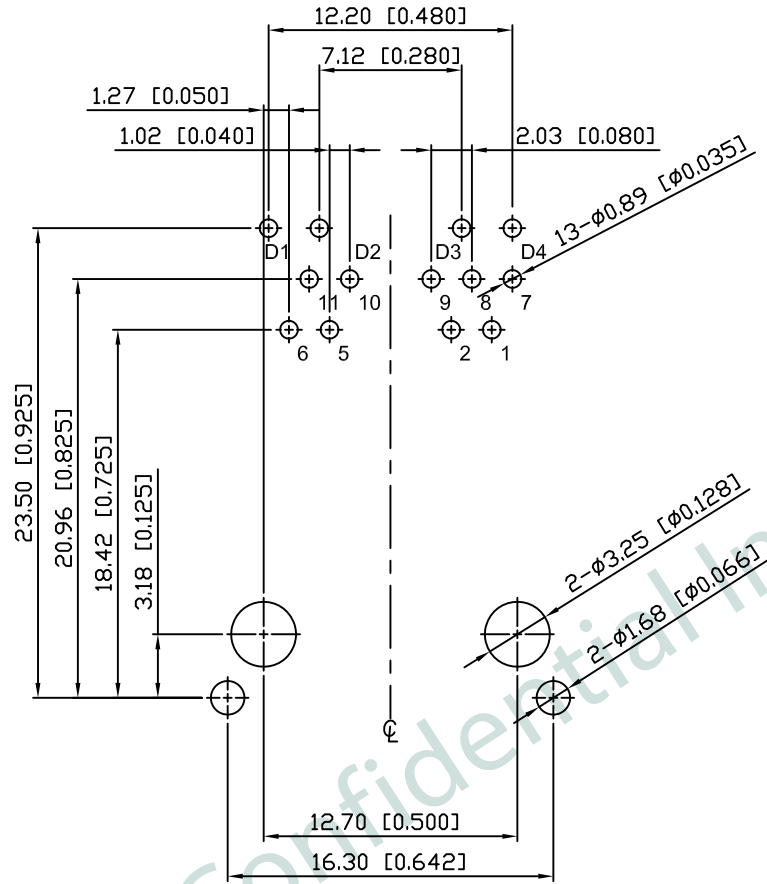
RECOMMENDED PLUG DIMENSION:



PART NO		KPH-01S-1-Q22-17C		
TITLE	RJ45 WITH 10/100 TRANSFORMER AND PoE, W/LED, SHIELDED			
REV : 02				
UNIT	DRAWN	CHKD	DATE	SHEET
mm[inch]	IVAN	JARVIS	Sep.16,15	1 of 4

2. PCB LAYOUT :

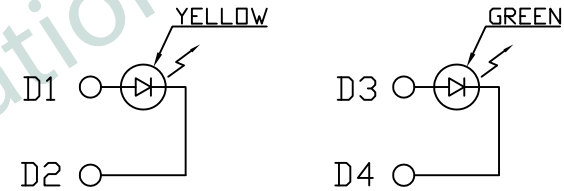
3. LED CONFIGURATION :



SUGGESTED PCB LAYOUT

(TOP VIEW) SCALE 2:1

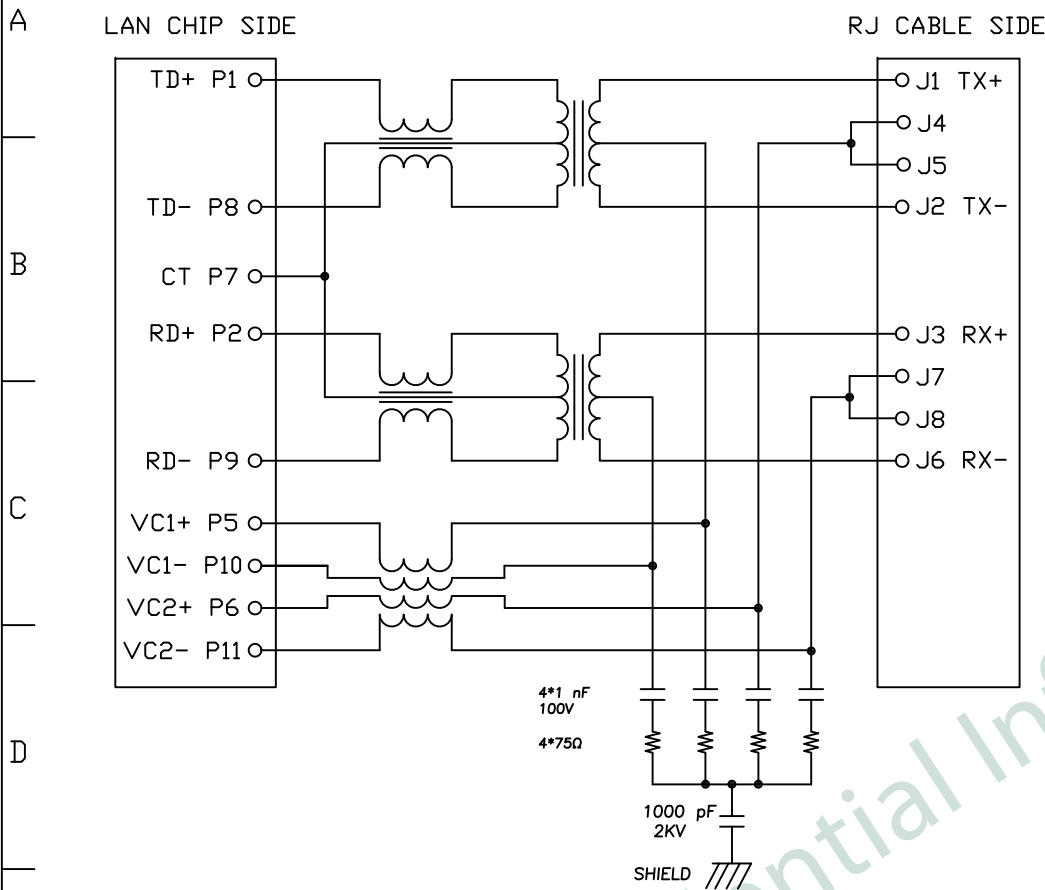
DIMENSIONAL TOLERANCE: .XX ±0.08[0.003]



PART NO		KPH-01S-1-Q22-17C		
TITLE	RJ45 WITH 10/100 TRANSFORMER AND PoE, W/LED, SHIELDED			
REV : 02				
UNIT	DRAWN	CHKD	DATE	SHEET
mm[inch]	IVAN	JARVIS	Sep.16,15	2 of 4

4. SCHEMATIC :

5. ELECTRICAL CHARACTERISTICS :



TEST NOTES:(25±5°C)

- 1.TR:
INPUT TO OUTPUT=1:1±3%
- 2.LX:(100KHz,100mV,8mA, DC Bias)
350uH MINIMUM
- 3.DCR:
EVERY RJ PAIR=1.2 Ω MAXIMUM
- 4.HIPOT:
INPUT TO OUTPUT PIN: 1500 VAC/60SEC
INPUT TO METAL GROUND PIN: 2250 VDC/60SEC
- 5.INSERTION LOSS:
-1.0dB MAXIMUM AT 0.3MHz TO 100MHz
- 6.RETURN LOSS:
-20dB MINIMUM AT 1MHz TO 30MHz
-15dB MINIMUM AT 30MHz TO 60MHz
-10dB MINIMUM AT 60MHz TO 80MHz
- 7.CROSS TALK:
-30dB MINIMUM AT 1MHz TO 100MHz
- 8.COMMON TO COMMON MODE REJECTION:
-30dB MINIMUM AT 1MHz TO 100MHz

KPH-01S-1-Q22-17C

PRODUCT SERIES
KPH : LATCH UP FOR PoE TYPE

NUMBER OF PORTS
MECHANICAL TYPE
01S : 1 PORT, LENGTH=32.5mm,
STRAIGHT PINS

LED COLOR OPTION

SPECIAL CODE
C : TAKE OUT THE PIN

SHIELDED TYPE
7 : EMI FINGER ON ALL SIDE

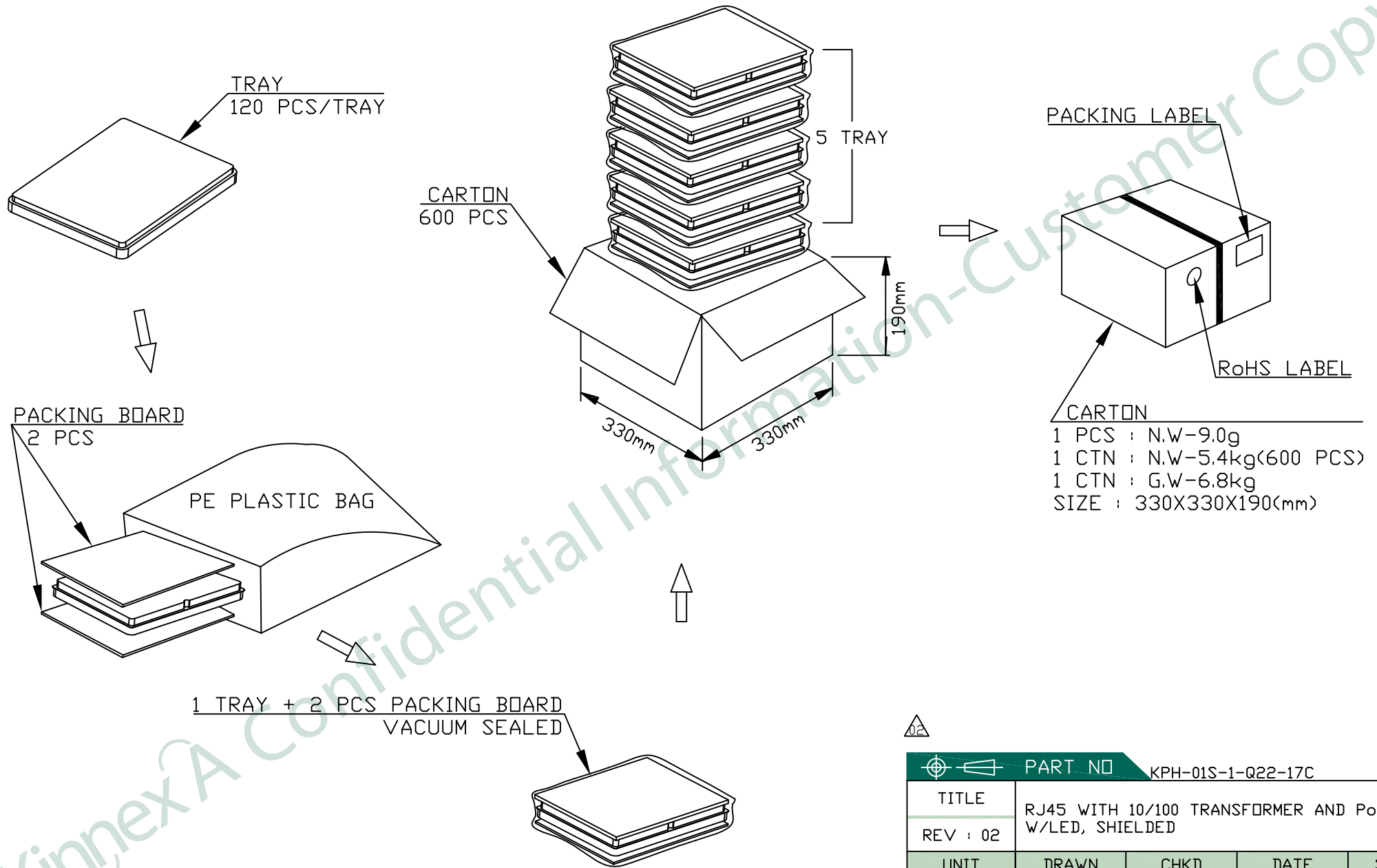
LED POLARITY
1 : +,-,+

CIRCUIT TYPE



PART NO		KPH-01S-1-Q22-17C		
TITLE	RJ45 WITH 10/100 TRANSFORMER AND PoE, W/LED, SHIELDED			
REV : 02				
UNIT	DRAWN	CHKD	DATE	SHEET
mm[inch]	IVAN	JARVIS	Sep.16,15	3 of 4

6. PACKING SPECIFICATION:



PART NO		KPH-01S-1-Q22-17C		
TITLE	RJ45 WITH 10/100 TRANSFORMER AND PoE, W/LED, SHIELDED			
REV : 02				
UNIT	DRAWN	CHKD	DATE	SHEET
mm[inch]	IVAN	JARVIS	Sep.16,15	4 of 4

RoHS Compliant