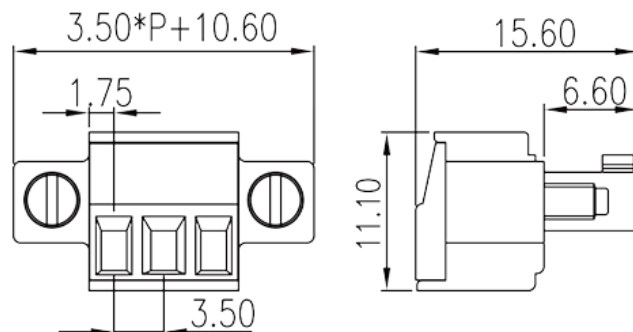
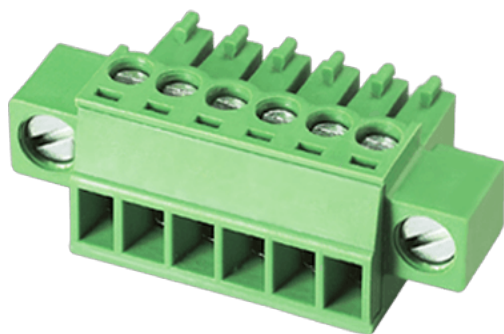


# EC350VM-XXP

PCB &gt; PCB -

:2018-03-16 :1.1



Pitch : 3.50 mm , 300V , 8A

	PCB Connector Plug , Screw Connection
	PCB Connector Plug
(mm)	3.50
	Green(default)
	Screw Connection
	With screw flange
(mm)	3.50xP+10.60
(mm)	15.50
(mm)	11.10
( )	10
	Single level
	PA66
	I
UL 94	V0
	Copper Alloy
	Tinned

### -IEC

(A)	14
(II/2)(V)	320
(III/2)(V)	160
(III/3)(V)	160
(II/2)(KV)	2.5
(III/2)(KV)	2.5
(III/3)(KV)	2.5
(mm <sup>2</sup> )	0.2
(mm <sup>2</sup> )	1.5
(mm <sup>2</sup> )	0.2
(mm <sup>2</sup> )	1.5
(mm <sup>2</sup> ) , ,	0.25
(mm <sup>2</sup> ) , ,	1.5
(mm <sup>2</sup> ) , ,	0.25
(mm <sup>2</sup> ) , ,	0.5
2 (mm <sup>2</sup> )	0.75
2 (mm <sup>2</sup> )	0.75
(mm <sup>2</sup> ) 2 , ,	0.25
(mm <sup>2</sup> ) 2 , ,	0.34
2 (mm <sup>2</sup> ) , ,	0.5
2 (mm <sup>2</sup> ) , ,	0.5
	M2
Width)(mm) (Blade thickness x	0.4x2.5
Philips	PH0
(N.m)	0.2
	6~7

### -UL

(UL/CUL Group B)(V)	300
---------------------	-----



(UL/CUL Group B)(A)		8
(UL/CUL Group D)(V)		300
(UL/CUL Group D)(A)		8
UL/CUL	AWG	28
UL/CUL	AWG	14
UL/CUL	AWG	28
UL/CUL	AWG	14

&

가	(YES or NO)	YES
		115
		-40

## UL

(Group B)(AWG)		28~14
(Group B)(V)		300
(Group B)(A)		8
(Group D)(AWG)		28~14
(Group D)(V)		300
(Group D)(A)		8

## CUL

(Group B)(AWG)		28~14
(Group B)(V)		300
(Group B)(A)		8
(Group D)(AWG)		28~14
(Group D)(V)		300
(Group D)(A)		8

## VDE

(mm <sup>2</sup> )		0.2~1.5
(V)		320
(A)		14

