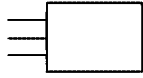


Product Compliant to DIN41612/IEC603-2 Standard

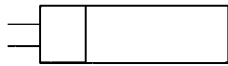
PCN Series

Pin Header Side

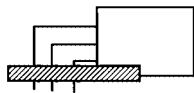
●Straight through hole type
PCN10 - * *P-2.54DSA



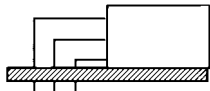
●Stacking through hole type
PCN10H* - * *P-2.54DSA



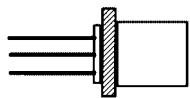
●Right angle through hole type (mounted on the board edge)
PCN10 - * *P-2.54DS
PCN12 - * *P-2.54DS
PCN12E - * *P-2.54DS



●Right angle through hole type (mounted on the board)
PCN10A - * *P-2.54DS
PCN10EA- * *P-2.54DS
PCN12A - * *P-2.54DS
PCN12EA- * *P-2.54DS



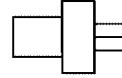
●Press fit type



PCN11-* *P-2.54W* -2+PCN11-* *P-2.54H-2

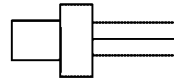
Receptacle Side

●Straight through hole



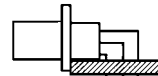
PCN10 - * *S-2.54DSA
PCN10C - * *S-2.54DSA
PCN10EA- * *S-2.54DSA
PCN10D - * *S-2.54DSA
PCN12 - * *S-2.54DSA
PCN12E - * *S-2.54DSA
PCN13 - * *S-2.54DSA

●Wrapping type



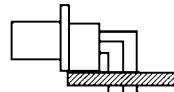
PCN10 - * *S-2.54W*

●Right angle through hole type (mounted on the board edge)



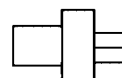
PCN10B - * *S-2.54DS

●Right angle through hole type (mounted on the board)



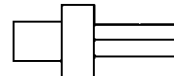
PCN10A - * *S-2.54DS
PCN10C - * *S-2.54DS
PCN13 - * *S-2.54DS

●Press fit short pin type



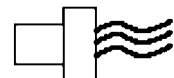
PCN11-* *S-2.54PFB-2

●Press fit long pin type



PCN11-* *S-2.54WB-2

●Cable type



PCN10-* *S-2.54C+PCN10-* * *SC*
PCN10-* *S-2.54R

◆ Application Pattern

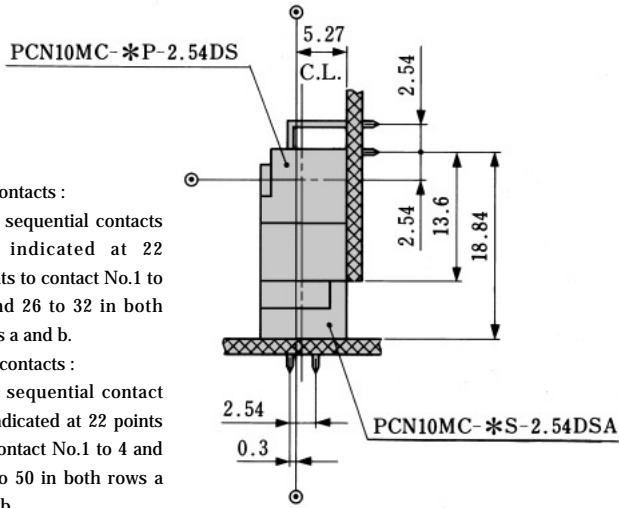
■ Circuit Protection Function Type

● : Mounting hole center
C.L. : Center line

● 2-row type

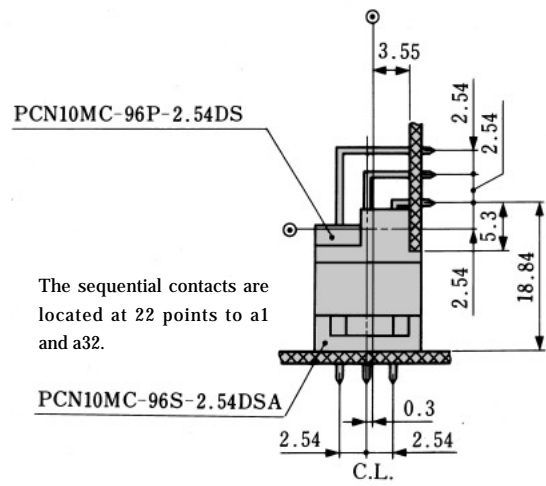
64 contacts :
The sequential contacts are indicated at 22 points to contact No.1 to 4 and 26 to 32 in both rows a and b.

100 contacts :
The sequential contact is indicated at 22 points to contact No.1 to 4 and 44 to 50 in both rows a and b.



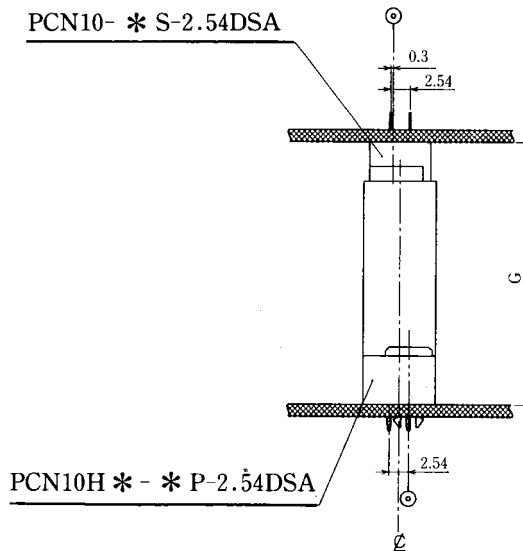
● 3-row type

The sequential contacts are located at 22 points to a1 and a32.



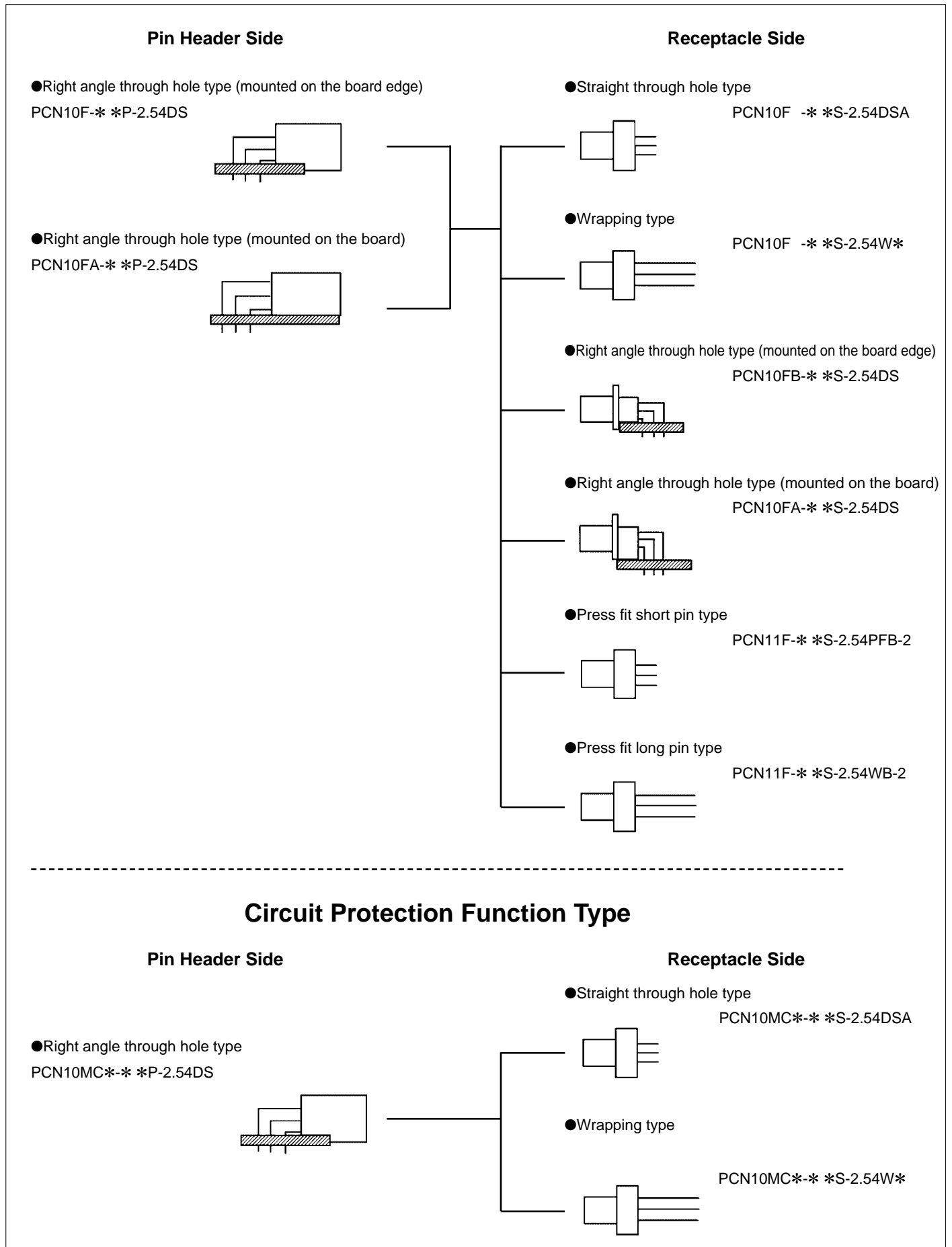
■ Stacking Connector

● : Mounting hole center
C.L. : Center line

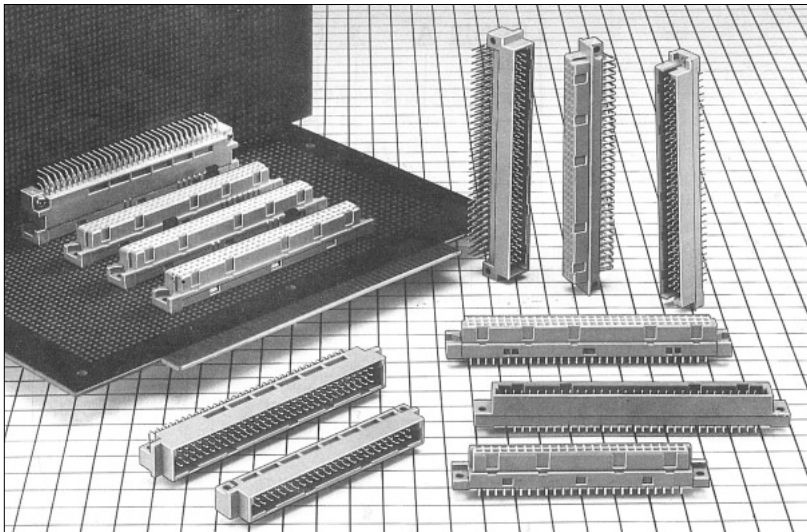


*G : 35, 30, 25, 45, 40

Coaxial Connector and High Current Contact Composite Type



PCN10, 12, 13 Series (Product Compliant to DIN Standard: through hole, Wrapping Type)



PCN Series

■ Features

1. Compliant with DIN Standard

Comply with IEC603-2/DIN41612 standard.

2. Variation in number of contacts

10, 16, 20, 24, 28, 30, 32, 44, 48, 50, 64, 90, 96, 100, 128, and 144 contacts are available.

3. Two point contact construction

PCN10 and 12 series are constructed with high reliable double-sided two point contacts.

PCN13 series pursues after cost performance, and constructed with single sided two point contacts.

4. Broad applications

DIN standard types of B, C, R, and Q are available. The flux tight product is available. The easy lock pin type to prefix the board is available.

5. Stacking height variation

PCN10H series contains 25, 30, 35, 40 and 45mm stacking height.

6. Circuit protection function available

PCN10MC series utilizes a sequence structure for circuit protection function.

7. Cable connector

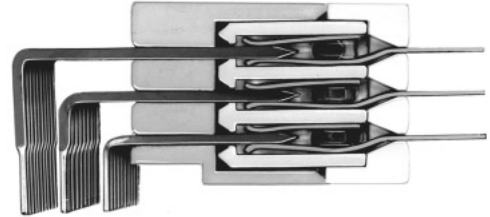
ID connector for ribbon cable is available.

The connector is prepared for crimping connection for AWC#26 to 30 cables.

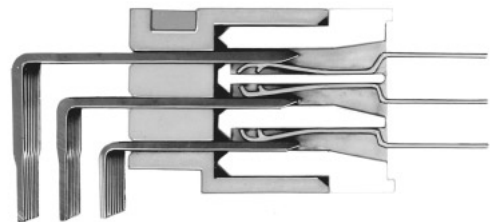
■ Application

Control equipment, exchange, measuring instruments etc.

Double-sided two point Contact System



Single-sided two point Contact System



Stacking Connector



■Product Specifications

Rating	Current rating: 2A Voltage rating: 300V AC	Operating Temperature Range: -55 to +85°C (Note 1) Operating Humidity Range: 85% max	Storage Temperature Range: -10 to +60°C (Note 2) Storage Humidity Range: 40 to 70% (Note 2)
--------	---	---	--

Item	Specification	Condition
1.Insulation Resistance	10 ⁹ M ohms	100V DC
2.Withstanding Voltage	No flashover or insulation breakdown.	1000V AC (insulation displacement, crimping type: 650V AC) /1 minute.
3.Contact Resistance	20m ohms max.	0.1A
4.Vibration	No electrical discontinuity of 10 μ s or more	Frequency: 10 to 55 Hz, single amplitude of 0.75 mm, 2 hours in each of the 3 directions.
5.Humidity(Steady state)	Insulation resistance : 10 ⁹ M ohms min.	96 hours at temperature of 40°C and humidity of 90% to 95%
6.Temperature Cycle	No damage, cracks, or parts looseness.	(-65°C : 30 minutes → 15 to 35°C: 5 minutes max. → 125°C : 30 minutes → 15 to 35°C: 5 minutes max.) 5 cycles
7.Durability (Mating/un-mating)	Contact resistance : 20m ohms max.	500 cycles
8.Resistance to Soldering heat	No deformation of components affecting performance.	Manual soldering: 300°C for 3 seconds

Note 1: Includes temperature rise caused by current flow.

Note 2: The term "storage" refers to products stored for long period of time prior to mounting and use. Operating Temperature Range and Humidity range covers non conducting condition of installed connectors in storage, shipment or during transportation.

■Material

Parts	Material	Finish	Remarks
Insulator	PBT	Gray	UL94V-0
Contact	Pin header	Brass	Contact area: Gold plated
	Receptacle	Copper alloy	Remainer: Tin-lead plated

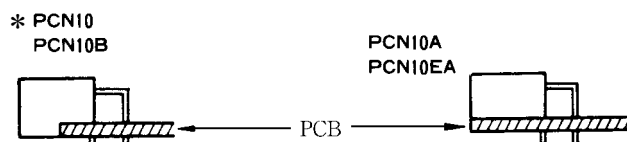
■Ordering Information

●PCN 10 Series

PCN10 **A** - ***** **P** - **2.54** **DS**

① ② ③ ④ ⑤ ⑥

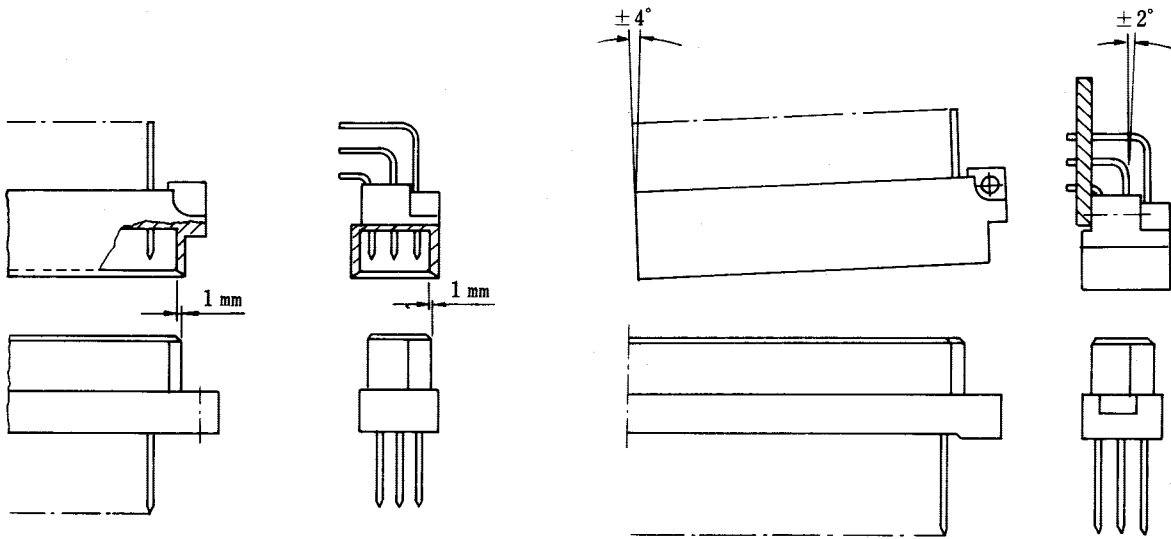
① Series Name : PCN10	③ Number of contacts: 2-row : 16, 20, 24, 32, 44, 50, 64, 90, 100 3-row : 48, 96, 144 4-row : 128
② Blank } mold type (as listed below) A } B } C : Flux prevention type (DSA only) D : Rack installation type EA : With Board prefixed lock pin H : Stacking height 35mm type HA : Stacking height 30mm type HB : Stacking height 25mm type HC : Stacking height 45mm type HD : Stacking height 40mm type MC : Circuit Protection function type	④ Connector type : P : Pin header : S : Receptacle
	⑤ Contact pitch : 2.54mm
	⑥ Contact type DS : Right angle through hole type DSA : Straight through hole type WA : Wrapping type (0.5tx0.7W) WB : Wrapping type (0.5tx0.5W) R : Insulation displacement type C : Crimping type



* The receptacle double-row right angle type indicates the type of PCN10A type.

◆ DIN Connector Mating Condition

DIN connectors of Hirose should be used under conditions as illustrated below.



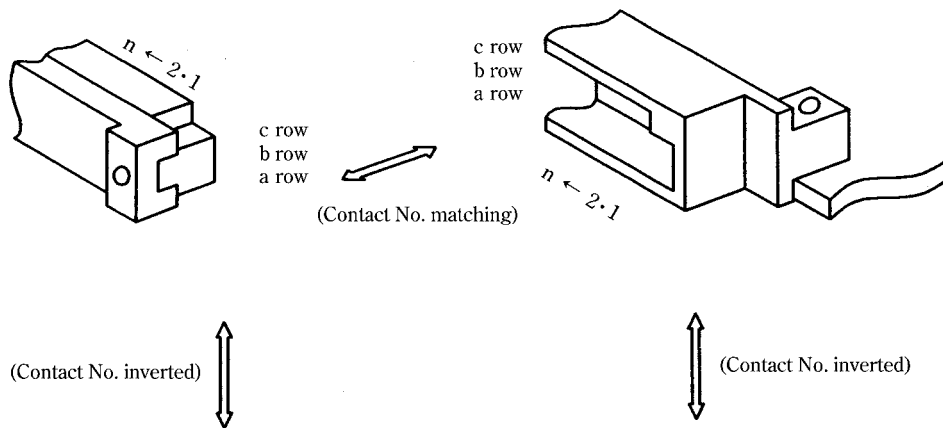
◆ Contact numbers

According to the inter-combination with DIN standard type C (type B) and type R (type Q), the contact numbers and row numbers represent contact No. (No.1 to 32) and row No. (a, b, c).

- DIN standard type C and type R represent the 3-row 96 contacts type, including 32 contacts in single-row.
- DIN standard type B and type Q represent the 2-row 64 contacts type, including 32 contacts in single-row.

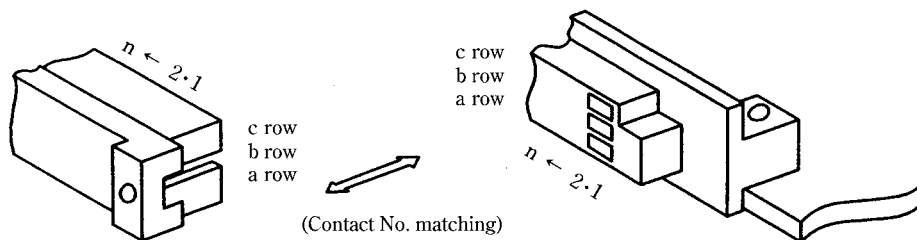
① Receptacle straight type
Type C (Type B)

② Pin header right angle type
Type C (Type B)



③ Pin header straight type
Type R (Type Q)

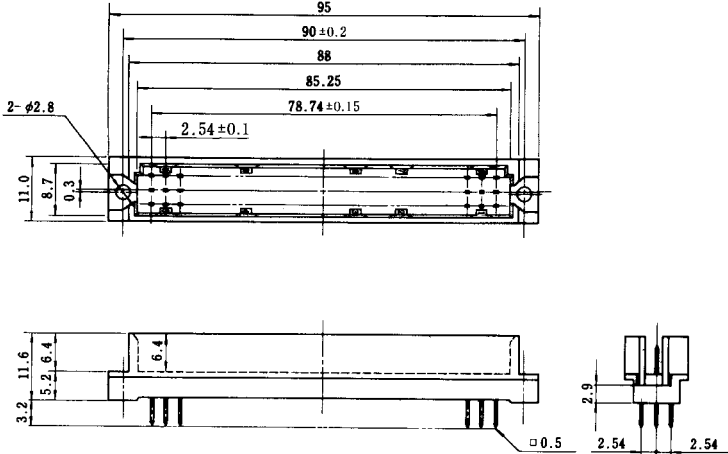
④ Receptacle right angle type
Type R (Type Q)



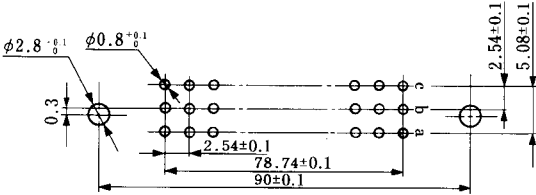
Note: The DIN connector is basically standardized in combination with straight and right angle types. As shown above in illustrations;

The contact numbers is matched in combination with (1)-(2) and (3)-(4), while the contact numbers are inverted in combination with (1)-(2) and (3)-(4).

Pin Header: 3-row Straight Type (DIN standard type R)



PCB mounting pattern

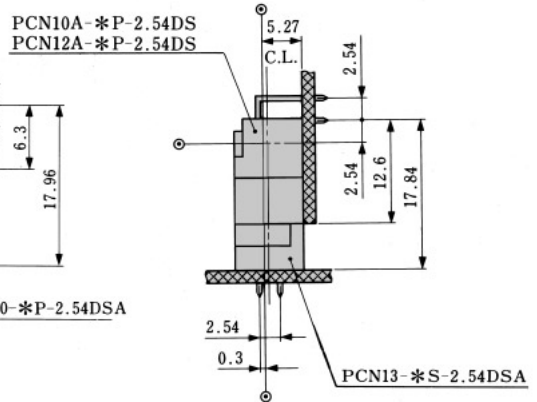
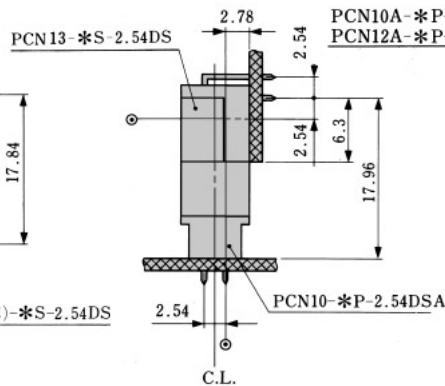
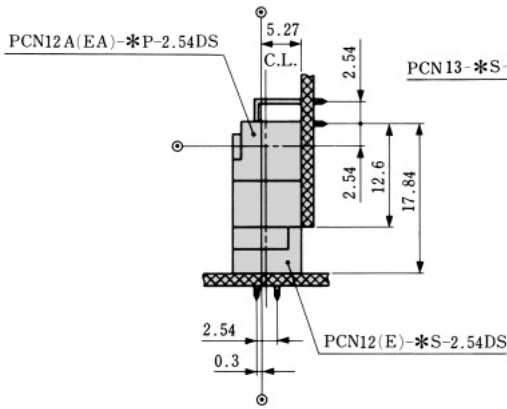
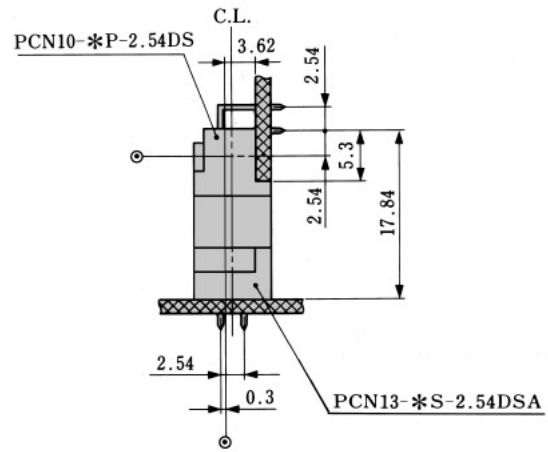
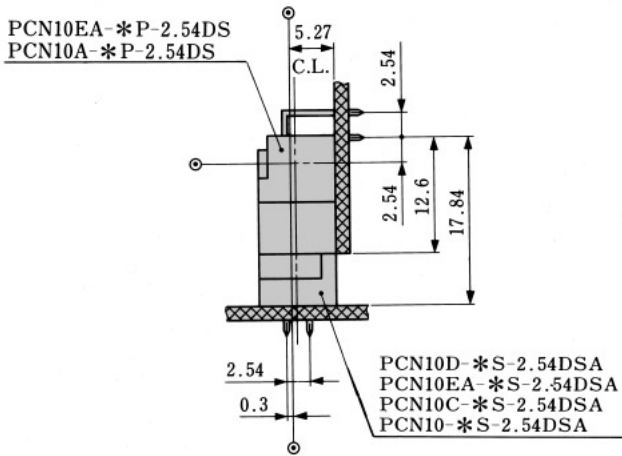
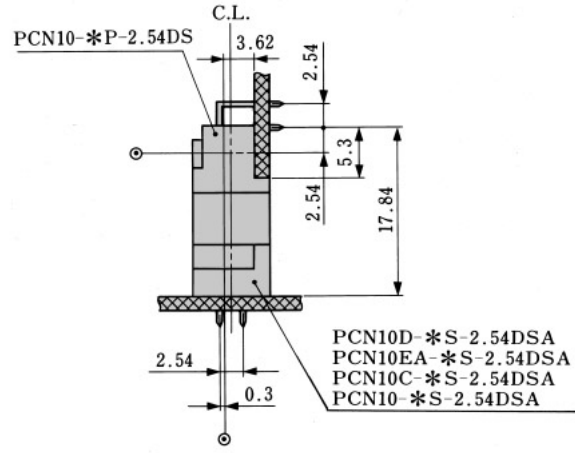
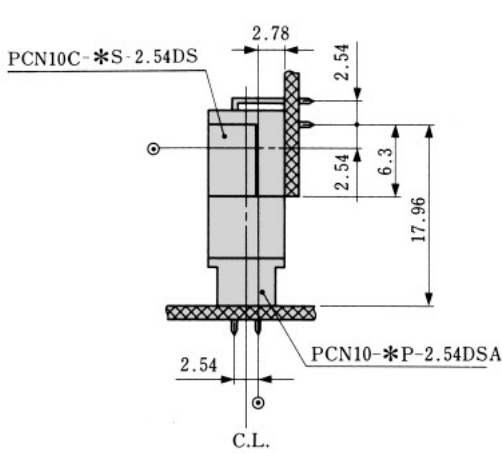


◆ Application Pattern

● Vertical Connection

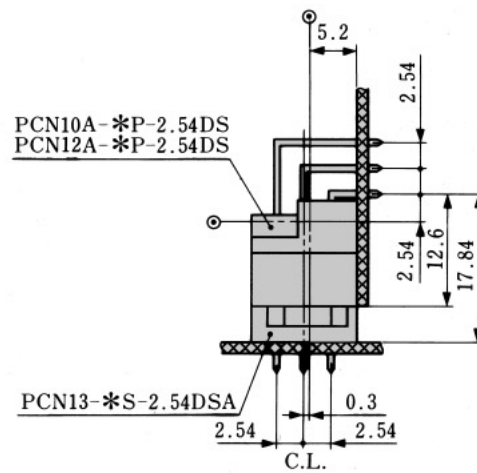
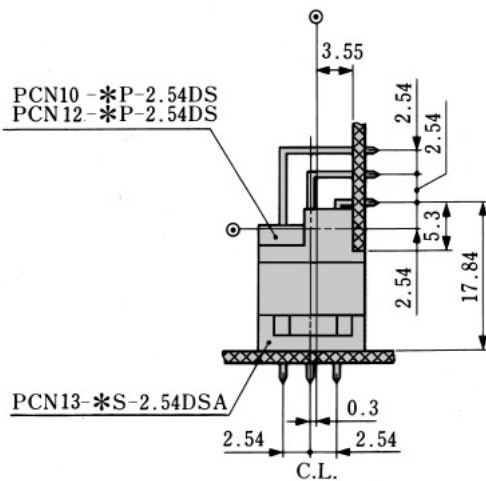
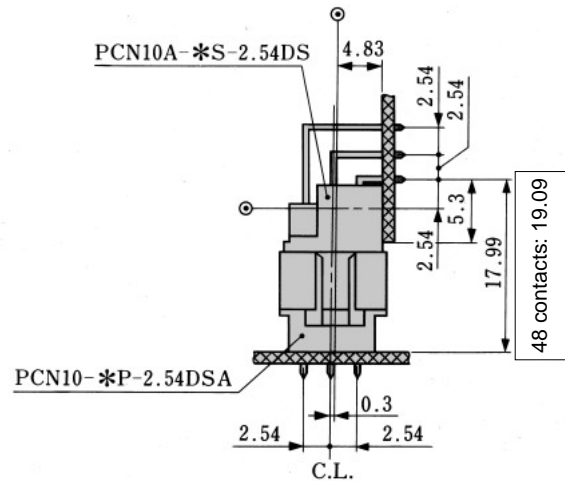
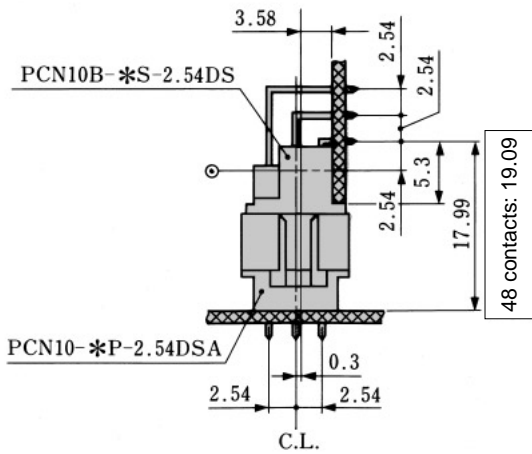
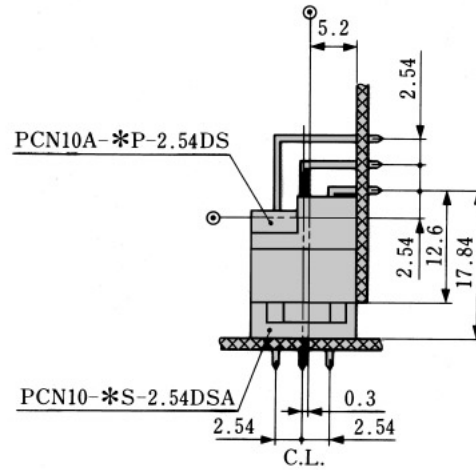
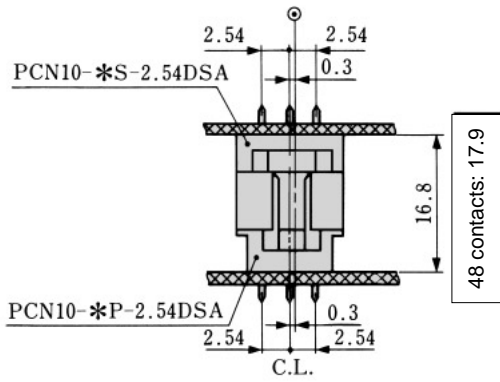
● 2-row type

● : Mounting hole center
 C.L. : Center line

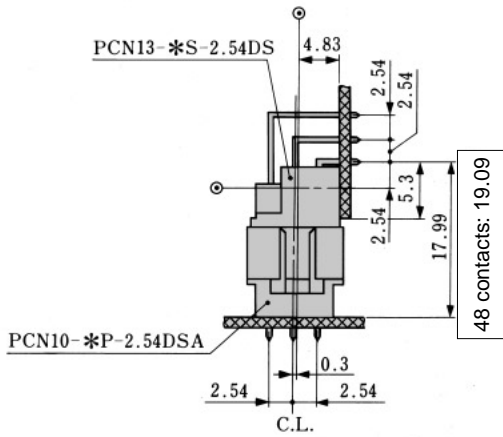
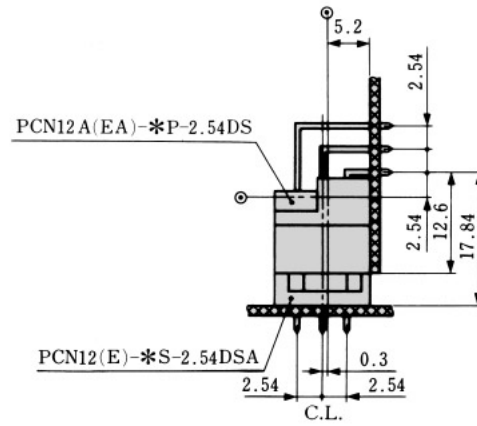
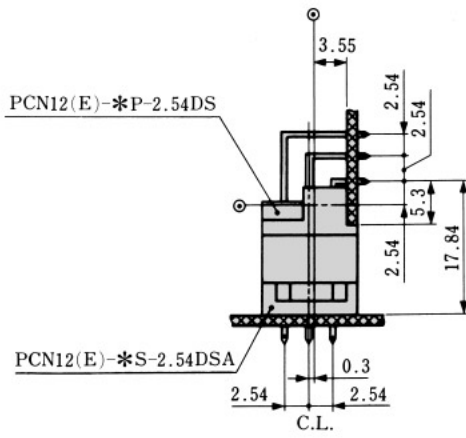


●3-row type

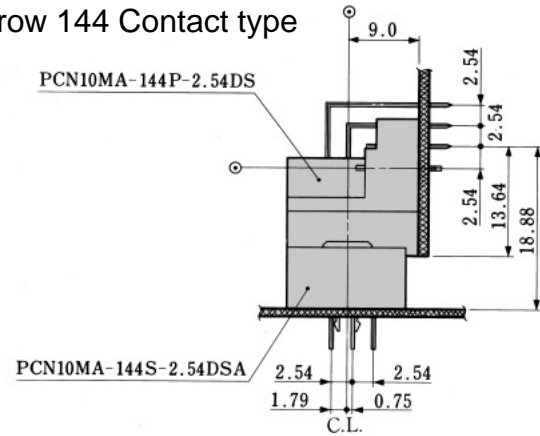
⊙ : Mounting hole center
C.L. : Center line



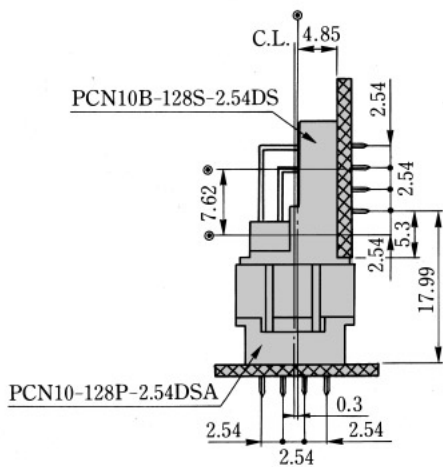
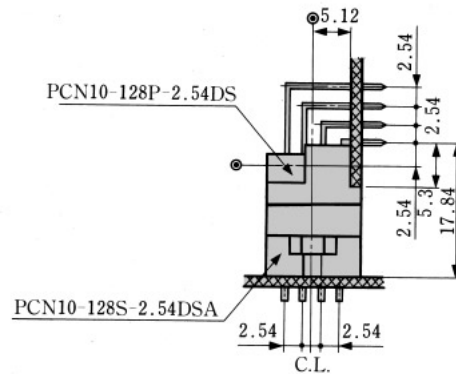
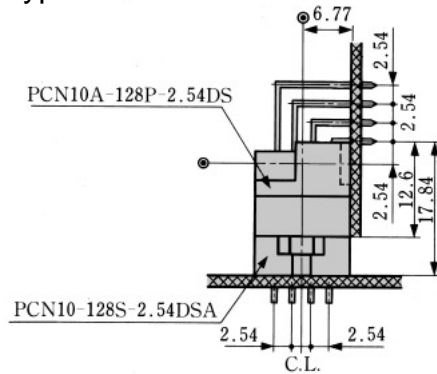
● : Mounting hole center
 C.L. : Center line



●3-row 144 Contact type



●4-row type

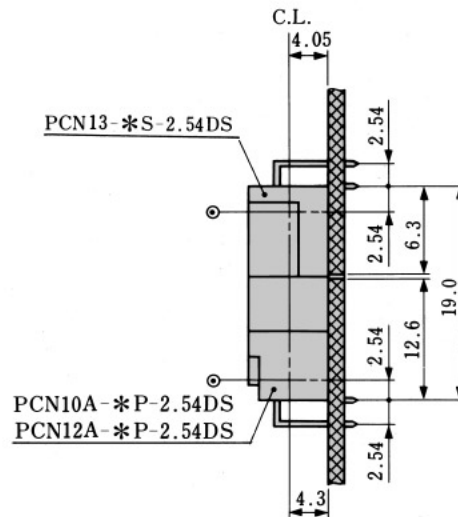
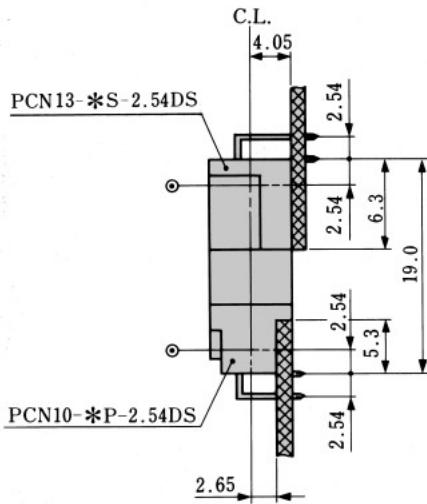
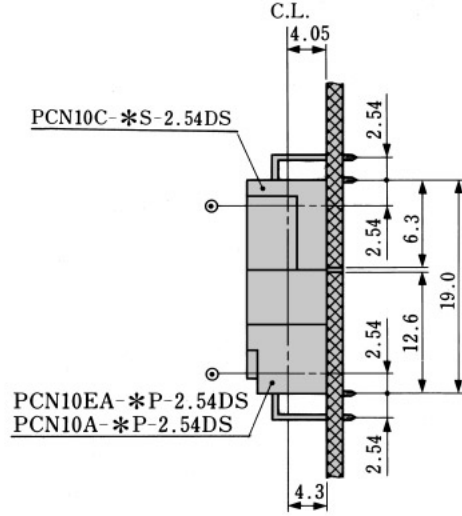
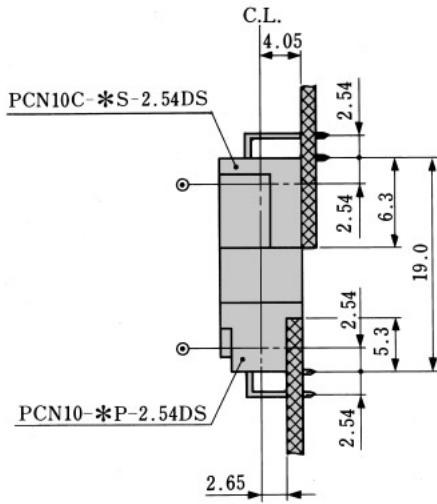


◆ Application Pattern

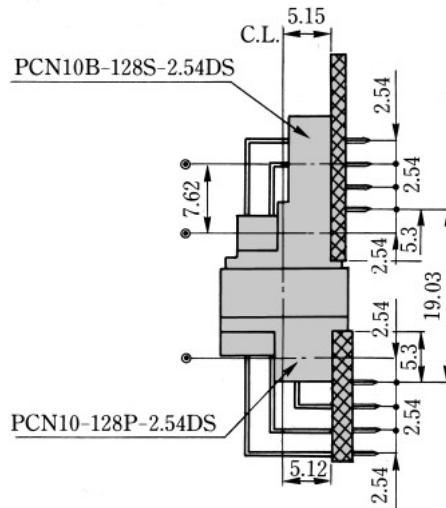
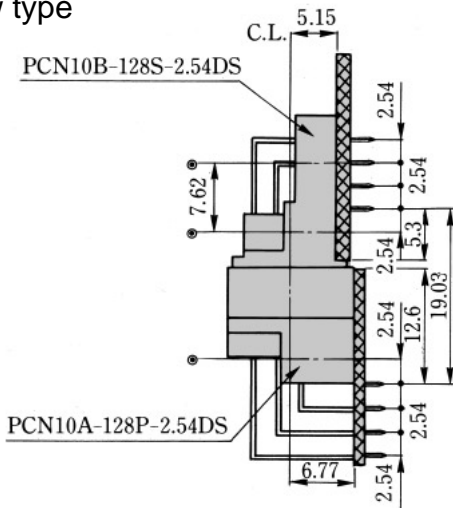
● Horizontal Connection

● 2-row type

● : Mounting hole center
C.L. : Center line

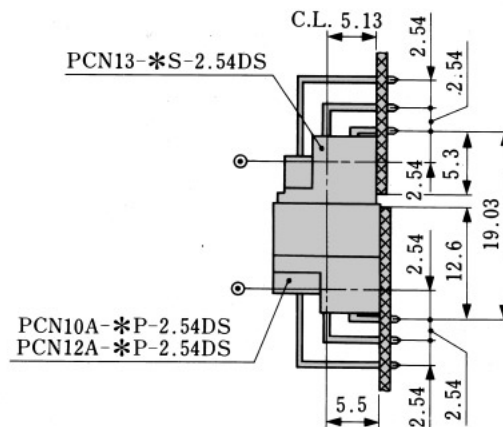
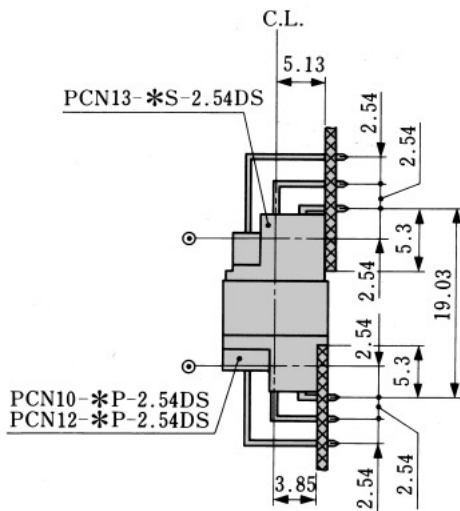
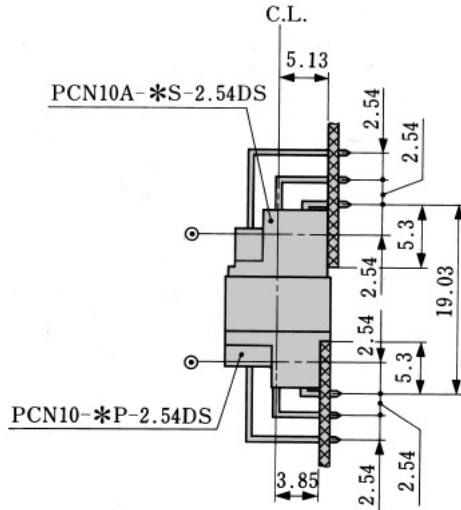
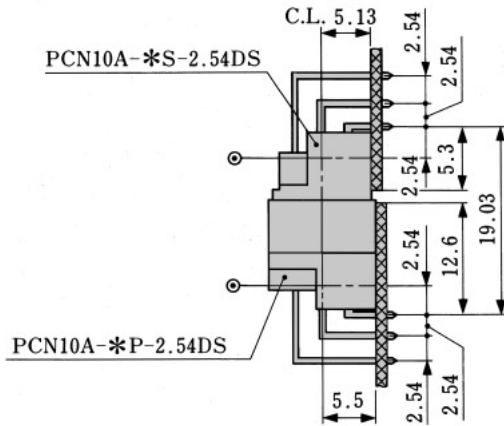
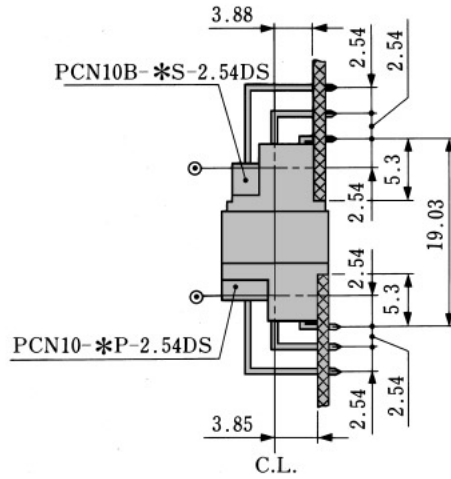
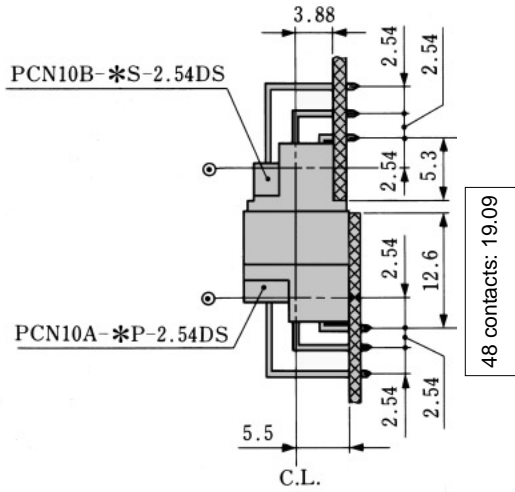


● 4-row type



●3-row type

● : Mounting hole center
C.L. : Center line

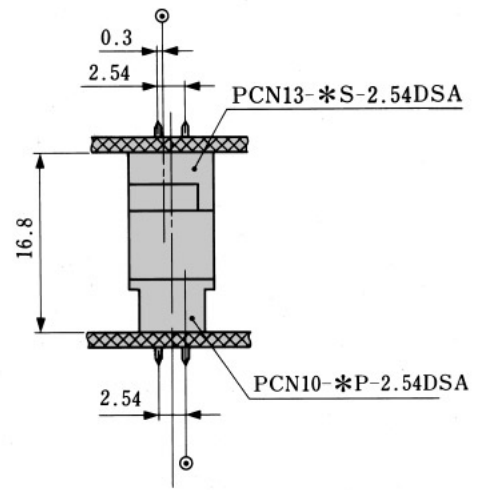
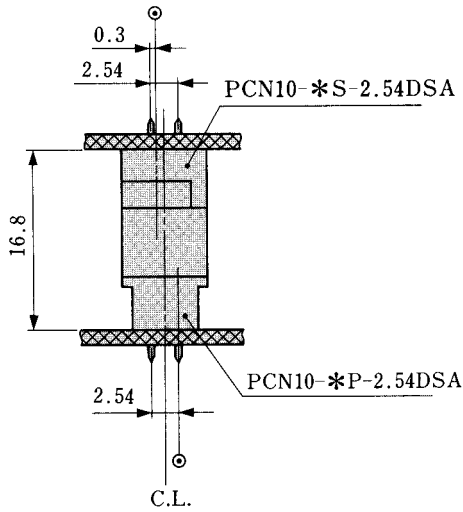


◆ Application Pattern

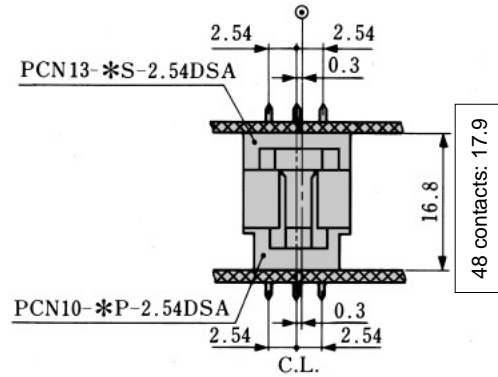
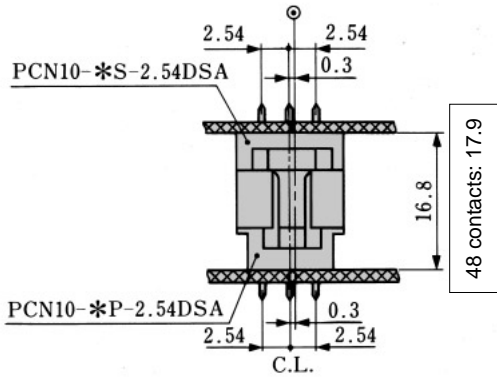
● Horizontal Connection

● 2-row type

○ : Mounting hole center
 C.L. : Center line



● 3-row type



● 4-row type

