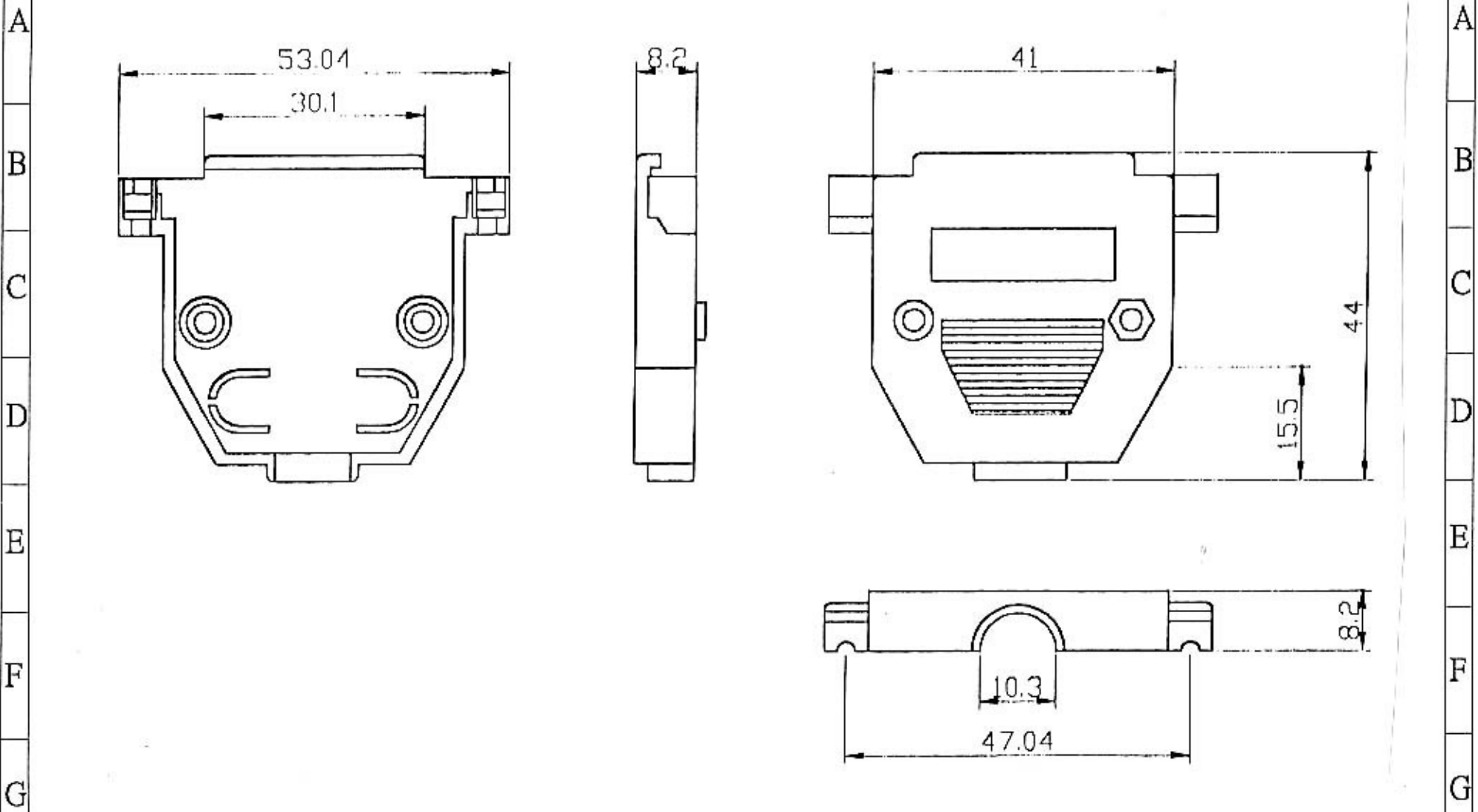


1 2 3 4 5 6 7 8



玄茂科技股份有限公司 HSUAN MAO TECHNOLOGY CO.,LTD.			UNIT	SCALE	PART NAME	
			MM	2 : 1	HOOD	
製表日:2000/05/14		DWG.	APPD.	CKD.	TOLERANCE	PART NO.
		TINA			± 0.5	D1001-37XX0X00
		APPROVED			REV.	
		SHELLEY			A	

1 2 3 4 5 6 7 8