

---

# ***SPECIFICATION***

**DC/AC INVERTER  
FOR CCFL LAMP**

---

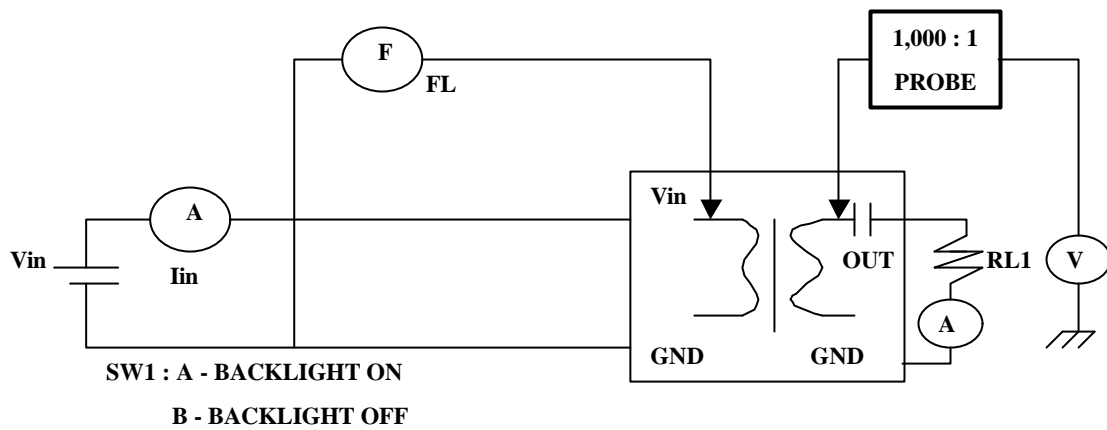
## 1. Maximum Rating.

Desc.	Symbol	Spec	Unit
Input voltage	Vin	10.8-13.2	V
Operating temperature range	Top	0 – 45	°C
Storage temperature range	Tstg	-20 – 75	°C
Operating humidity range		RH90	%

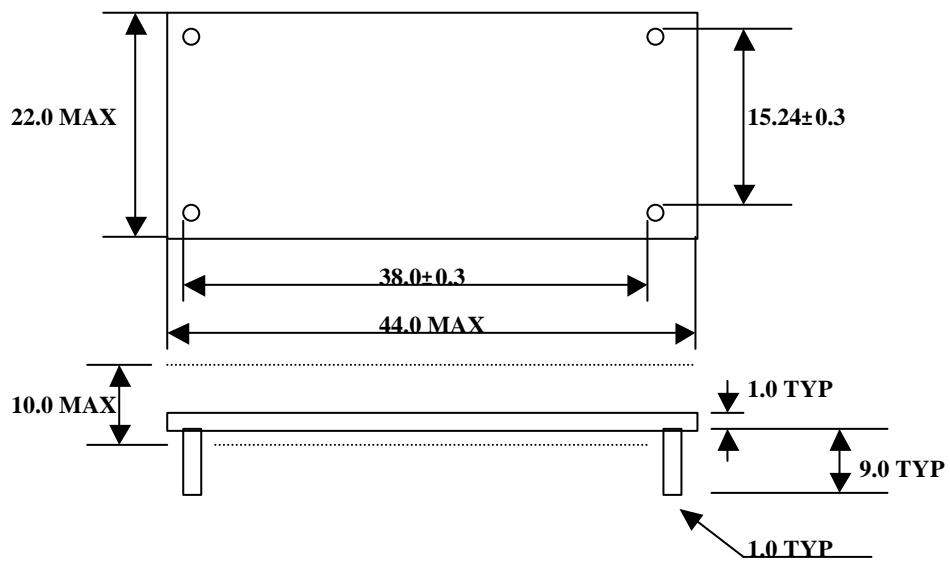
## 2. Electrical characteristics.

Desc.	Symbol	Condition		Specification			Unit
		Vin(V) (DC-In)	RL1 (K $\Omega$ )	Min	Typ	Max	
Output current	Io	12.0 $\pm$ 10%	62 $\pm$ 0.5	10.8	12.0	13.2	m Arms
Input current	Iin	12.0	62 $\pm$ 0.5	150	180	210	m ADC
Frequency	FL	12.0	62 $\pm$ 0.5	30	40	50	KHz
Open out voltage	Vo	12.0	$\infty$	850	-	1300	Vrms

### 3. Test circuit



### 4. Dimension(unit : mm) - $\pm 0.2$



---

## 5. Material Part List

**Trans - Ferrite Core  
- Bobbin**

**Insulating Tape**

**Coil(U.E.W)**

**PCB**

**Drum Core(68uH)**

**Tube**

**Ceramic Capacitor**

**Capacitor**

**Pin**

**Transistor**

**Resistor**

**Pb**

**Nippon Ceramic(Japan)**

**B&B(Taiwan)**

**DuckSung**

**DongYang/LG**

**WonKyung**

**SamWha**

**LG**

**Murata(Japan)/DaeMyung**

**Phillips/Matushita**

**Ilsan Metal**

**SamSung/Toshiba/Rohm/Sanyo**

**ShinHan Elec.**

**Tarutin(Japan)**