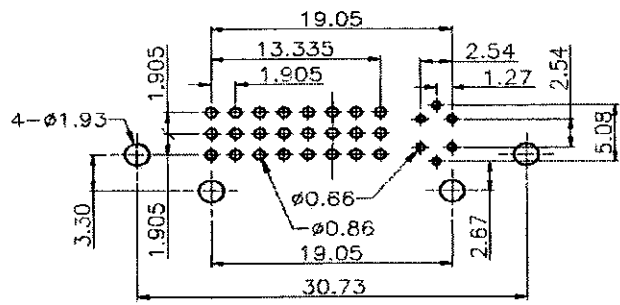
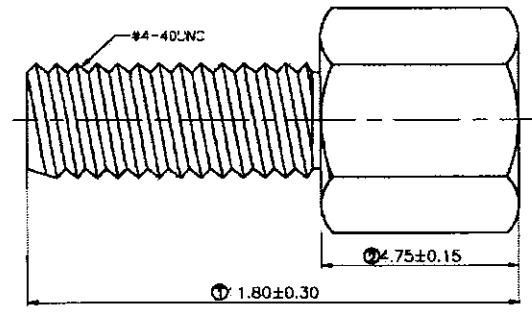
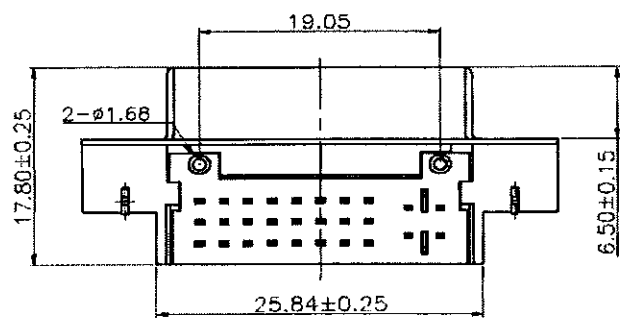
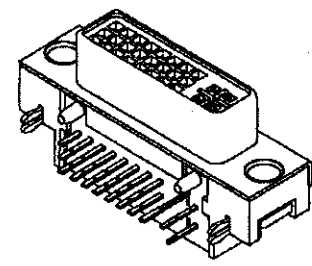


NOTE
 MATERIAL
 BODY&LATCH: NY66 RATED.
 NUMERAL CONTACTS: BRASS
 SIMULATION CONTACTS: PHOSPHOR BRONZE
 GROUND CONTACT: BRASS
 SHELL: SPCC
 LEG: BRASS
 RIVET: BRASS
 CONTACT PLATING: GOLD PLATING OVER NICKEL
 ELECTRICAL SPECIFICATION
 CURRENT RATING: 1.5A;
 VOLTAGE RATING: 40V;
 CONTACT RESISTANCE: 30mΩ MAX.
 INSULATION RESISTANCE: 1000MΩ MIN 500V DC.
 DIELECTRIC WITHSTANDING VOLTAGE: 500V AC
 ENVIRONMENTAL
 OPERATING TEMPERATURE: -20°C~80°C.

NOTES
 MATERIALS: BRASS
 BURR: 0.03mm MAX. ON CONTACT AREA.



RECOMMENDED PCB LAYOUT

RoHS Compliant		HSM 玄茂科技股份有限公司 HSUAN MAO TECHNOLOGY CO., LTD.	
APPR. 核准	BETTY	SCALE 比例	参考
DWG. 製圖	BETTY	UNIT 單位	MM
DATE 制表日	2008/07/02	PAGE 張數	1 OF 1
PART NAME 品名		DVI CONNECTOR INTEGRATED 29P FEMALE RIGHT ANGLE SELECTIVE GOLD WHITE INSULATOR ROHS LOW-LEAD	
PART NO.		料號	
C0507-29FRXSW0R			