



# SPECIFICATION

<b>Product</b>	<b>Micro speaker</b>	<b>Issued date</b>	<b>20-Jan-01</b>
<b>Part No.</b>	<b>U2308S04</b>	<b>Page No.</b>	<b>1 of 3</b>

## 1. Physical dimension.

Diameter	<b>23 mm</b> ( Refer to drawing )
Thickness	<b>5.3 mm</b> ( Refer to drawing )
Weight	<b>5.0g ±0.5g</b>

## 2. Electric characteristics.

Impedance	<b>8 Ω ± 15 %</b> at 1.0V 1KHz.
S.P.L.	<b>82 dB ± 3 dB</b> at 0.8 , 1.0 , 1.2 , 1.5 KHz. Average figures / 4 Pts .
Power	Nor. : <b>0.4 W</b> ( 1.79V )
	Max. : <b>0.5 W</b> ( 2.0V )
Resonant Frequency (Fo)	<b>560 Hz ± 20%</b> at 1.0 V
Effective Frequency band	Fo ~ <b>20 KHz.</b>
Distortion	Less than 5% at 1 KHz 0.4 W.
Buzz & rattle , etc.	Not be audible at 1.79 V sine wave, Fo ~ 20 KHz.
Load Test	Must be normal with program source 0.4 W. / ( 1.79V ) White noise / 96 Hrs.
Magnet	9.5 mm × 1.5 mm ( Rare Earth Permanent Magnet) Flux density 5,500 Gauss (SURFACE).

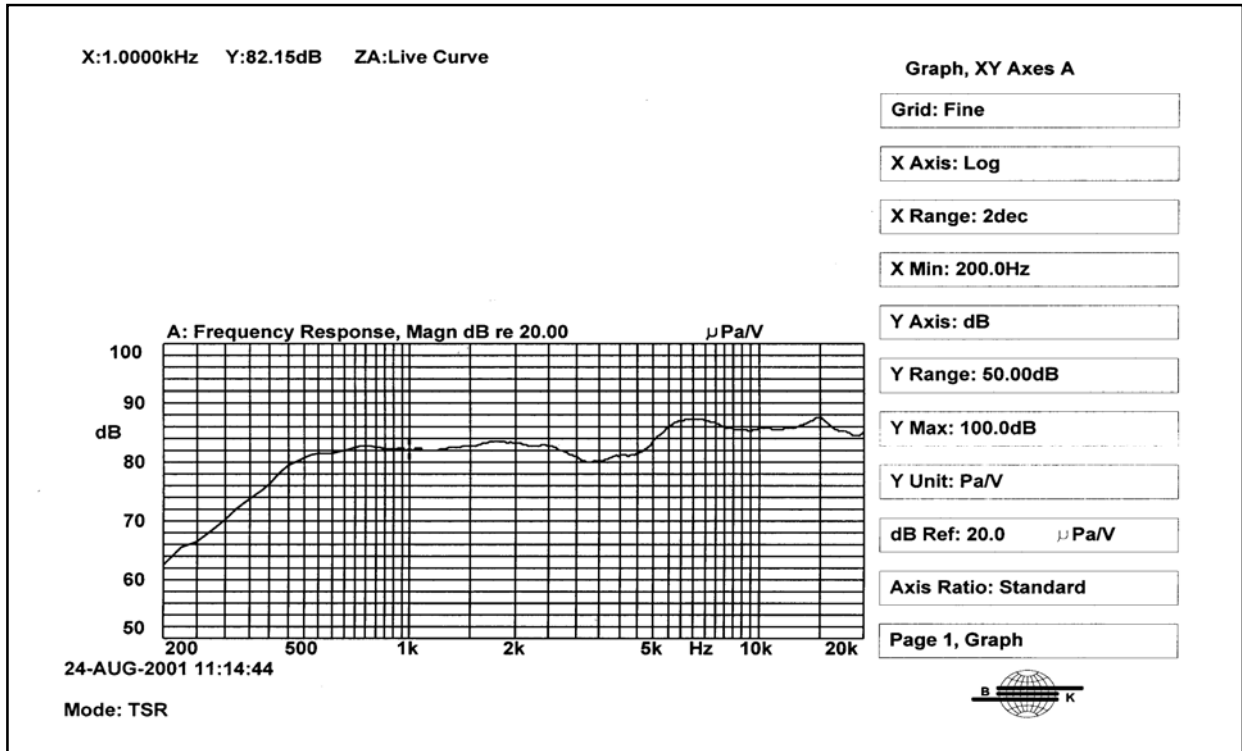
## 3. Environment Test

High Temperature	<b>+60°C ± 3°C</b> 96 Hrs and keep 6 Hrs in a room.
Low Temperature	<b>-20°C ± 3°C</b> 96 Hrs and keep 6 Hrs in a room.
Humidity Resistance	<b>+80°C ± 3°C 90 % ~ 95 %</b> 96 Hrs.
Operation Temperature Range	<b>-40°C ± 3°C ~ +60°C ± 3°C</b>
Storage Temperature Range	<b>-40°C ± 3°C ~ +70°C ± 3°C</b>

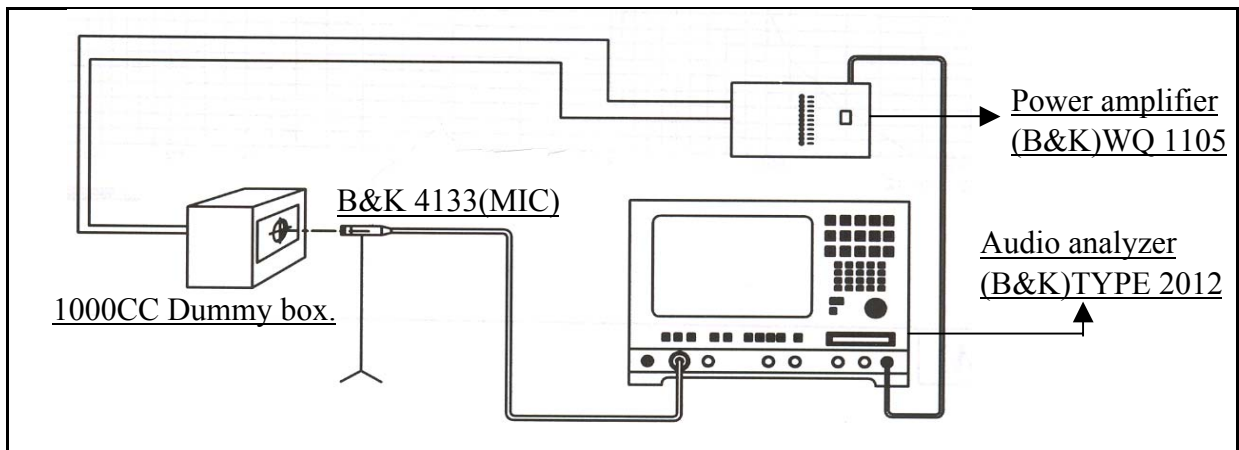
# SPECIFICATION

Product	Micro speaker	Issued date	20-Jan-01
Part No.	U2308S04	Page No.	2 of 3

## 4. Frequency curve.



## 5. Test diagram.

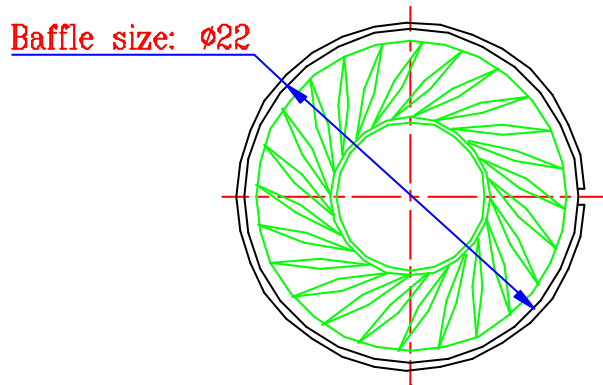
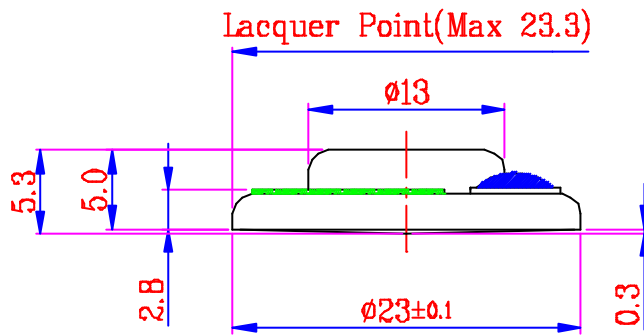
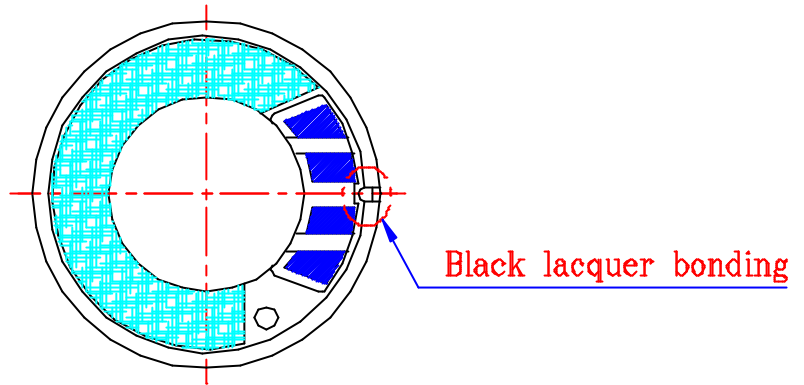
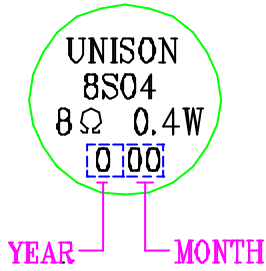


## 6. Measurement condition.

Microphone	B&K 4311	Zero level	50 dB
Mode	TSR	Input power	0.4 W
Mic distance	0.1m	Sweep time	0.5Sec

REV.NO	DATE	DESCRIPTION	DRAW.BY	CHKD.BY	APP.BY

MARKING



UNIT	mm	DRAW.BY	CHKD.BY	APP.BY	DATE	OCT. 17 .2005
SCALE	2 : 1	J.M.KIM	I.G.SONG	E.S.CHOI	MODEL NO.	U2308S04
TOL	± 0.2	05.01.17	05.01.17	05.01.17	NOMENCLATURE	MODEL DIMENSION
FRM. UA-G-004-03 Rev.1 UNISON ACOUSTICS CO., LTD. A4(297X210)mm						