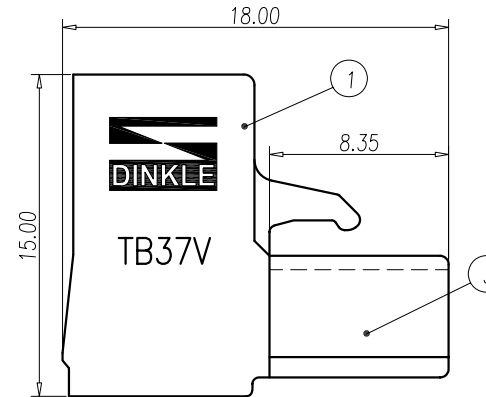
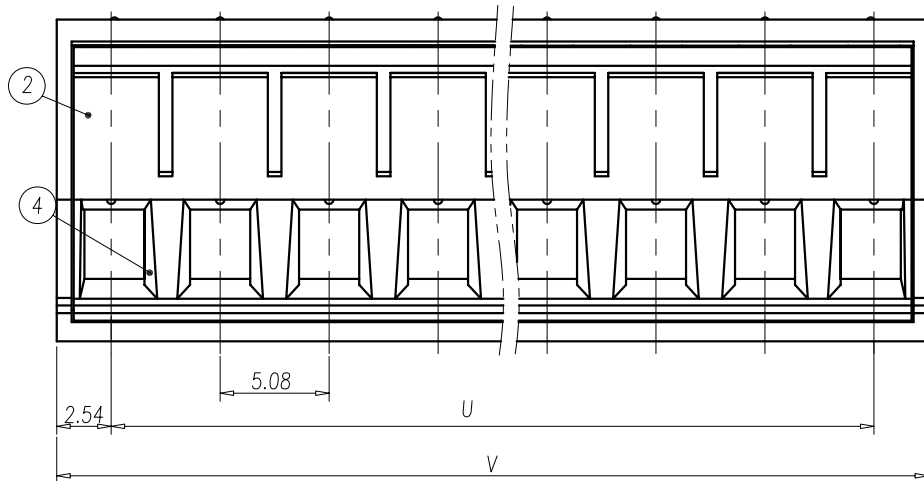
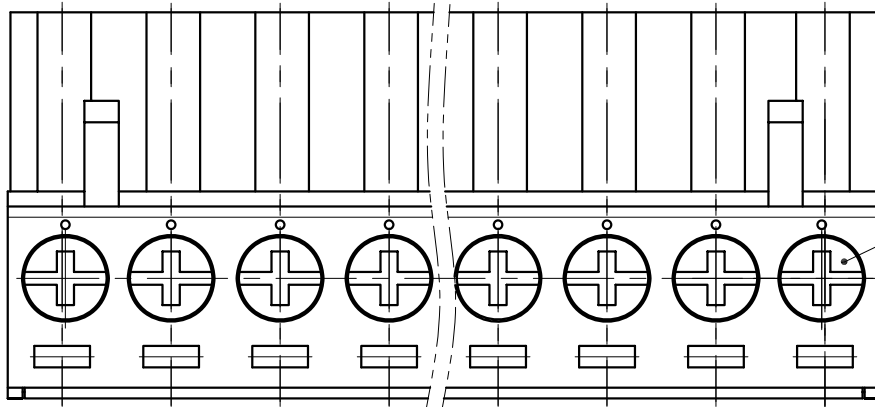


Normal Geometric Tolerancing				
—	//	≡	⊥	
0 to 100	0.3		0 to 10	0.3
over 100 to 150	0.4	0.4	over 10	0.4
over 150	0.6			

Normal dimension Tolerances	
0~10	±0.35
over 10~30	±0.40
over 30~53	±0.48
over 53~70	±0.55
over 70~90	±0.60
over 90~115	±0.70
over 115~150	±0.85
over 150~200	±1.00
over 200~250	±1.20
over 250~320	±1.40

NOTES:

1. Rating: 300V 12A
PITCH: 5.08mm
2. Insulation Withstands Voltage:
AC 1600 V at 1 minute
3. Insulation Resistance:
500MΩ or more at DC500V
4. Using Temperature Range:
-40°C~+105°C
5. Screw Torque Value: 0.5 N·m
6. Suitable Electric Wire:
AWG 28~12
7. RoHS Compliance



P	2	3	4	5	6	7	8	9	10	11	12	13
U	5.08	10.16	15.24	20.32	25.40	30.48	35.56	40.64	45.72	50.80	55.88	60.96
V	10.16	15.24	20.32	25.40	30.48	35.56	40.64	45.72	50.80	55.88	60.96	66.04
P	14	15	16	17	18	19	20	21	22	23	24	25
U	66.04	71.12	76.20	81.28	86.36	91.44	96.52	101.6	106.68	111.76	116.84	121.92
V	71.12	76.20	81.28	86.36	91.44	96.52	101.6	106.68	111.76	116.84	121.92	127.00

5	SCREW	STEEL	M2.5 Zn Plated
4	WIRE CAGE	STEEL	Zn Plated
3	CLAMP	COPPER ALLOY	Tin Plated
2	SIDE COVER	PA66	UL94-V0 GREEN
1	HOUSING	PA66	UL94-V0 GREEN
ITEM	NAME OF PART	MATERIAL	NOTES

DWG.	ZMJ	DATE	12.05.31	UNITS	MM	SHEET/OF	1 / 1
CHK.		DATE		SCALE	4:1 (:)		
APP.		DATE		NAME	TB37V-XXP		
REV.	CONTENT	CHK.	DATE	DINKLE ENTERPRISE CO.,LTD	DWG NO.	SP-03-TB37V000	

