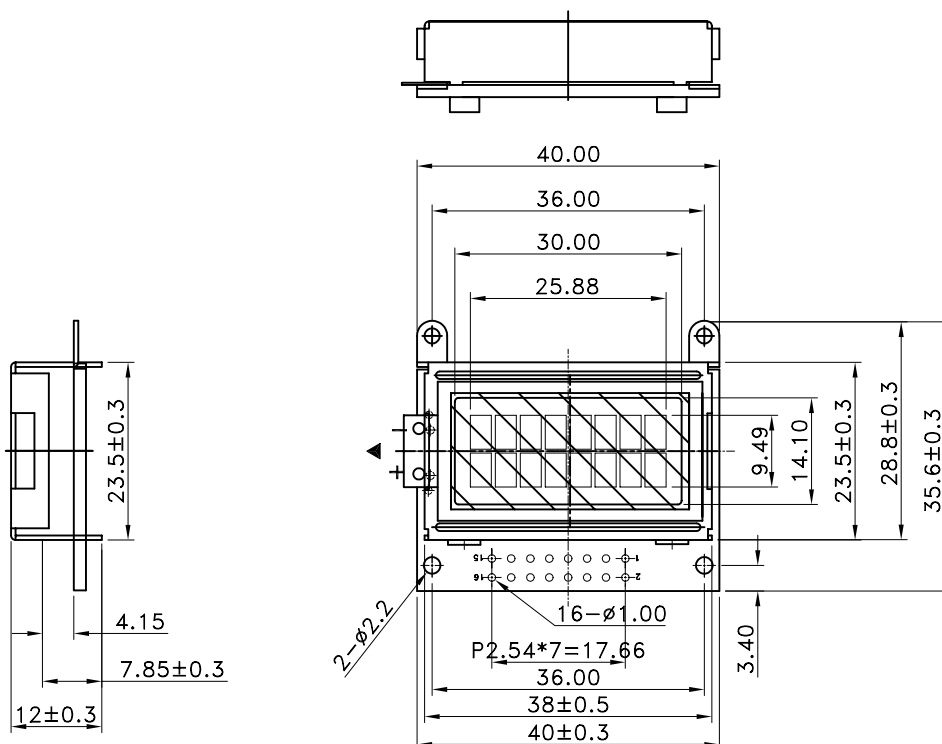
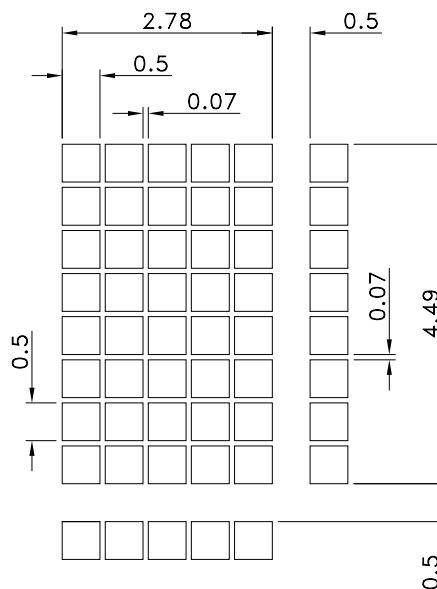


导电胶条(YP)尺寸(L*H*W): 35*6.8*2.0 (mm)



PIN FUNCTION

Pin No.	Symbol	Pin No.	Symbol
1	GND	9	DB2
2	VDD	10	DB3
3	VLCD	11	DB4
4	RS	12	DB5
5	R/W	13	DB6
6	E	14	DB7
7	DB0	15	LED+
8	DB1	16	LED-



Notes:

1. ◀ 表示玻璃封口所在方向。

Approve		深圳深辉技术有限公司 Shenzhen Shenhui Technology CO.ltd				
Checked						
Engineer		Description	SVM802-BSL-1			
Drawn	WXX	Material	Unmarked Tolerance	Unit	Scale	Page
Date	2002/04/18		±0.2	mm	1:1	1/4
Dwg.No	SVM802-BSL-1 • 01					