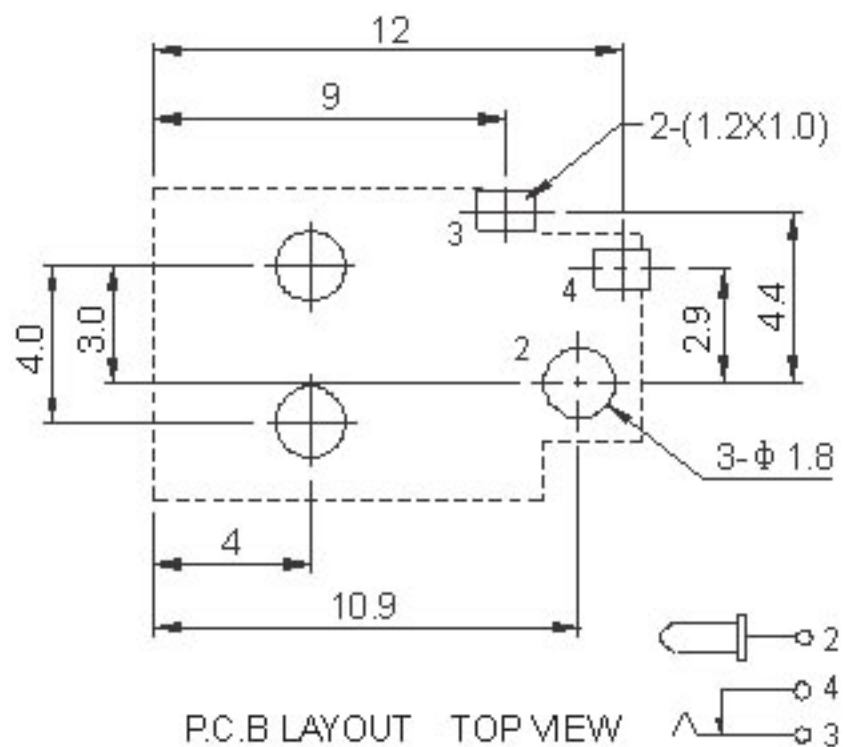
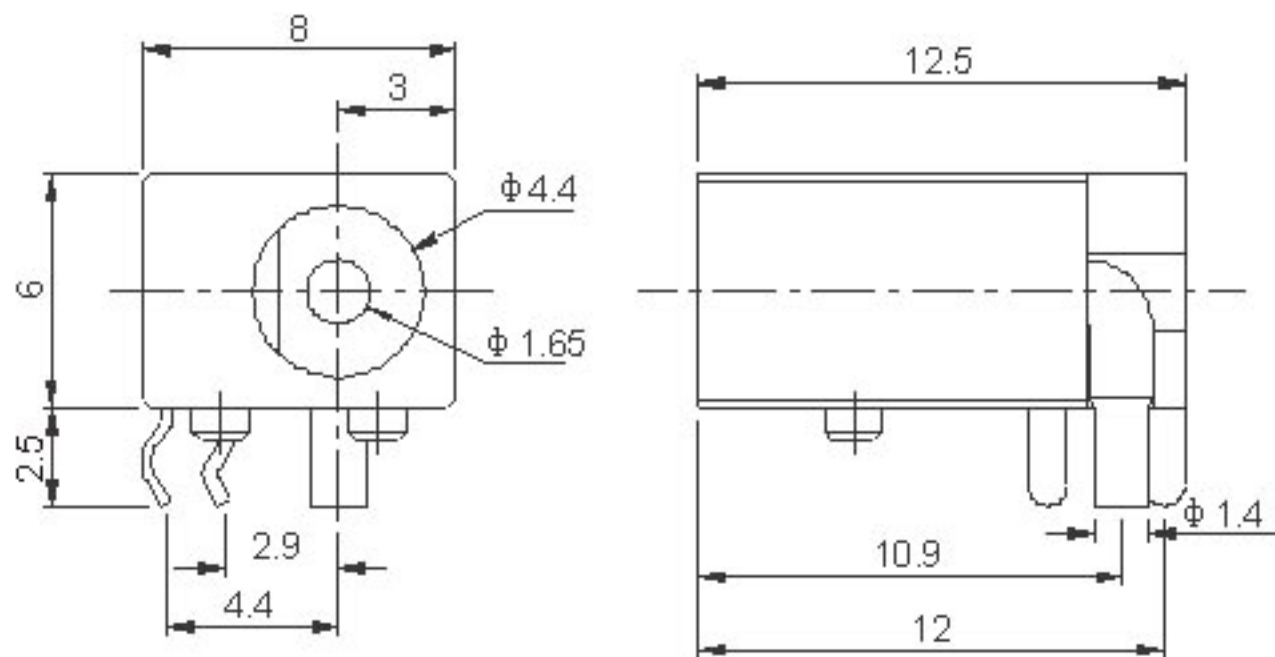


# DC POWER JACK (DC-023)



PCB LAYOUT TOP VIEW