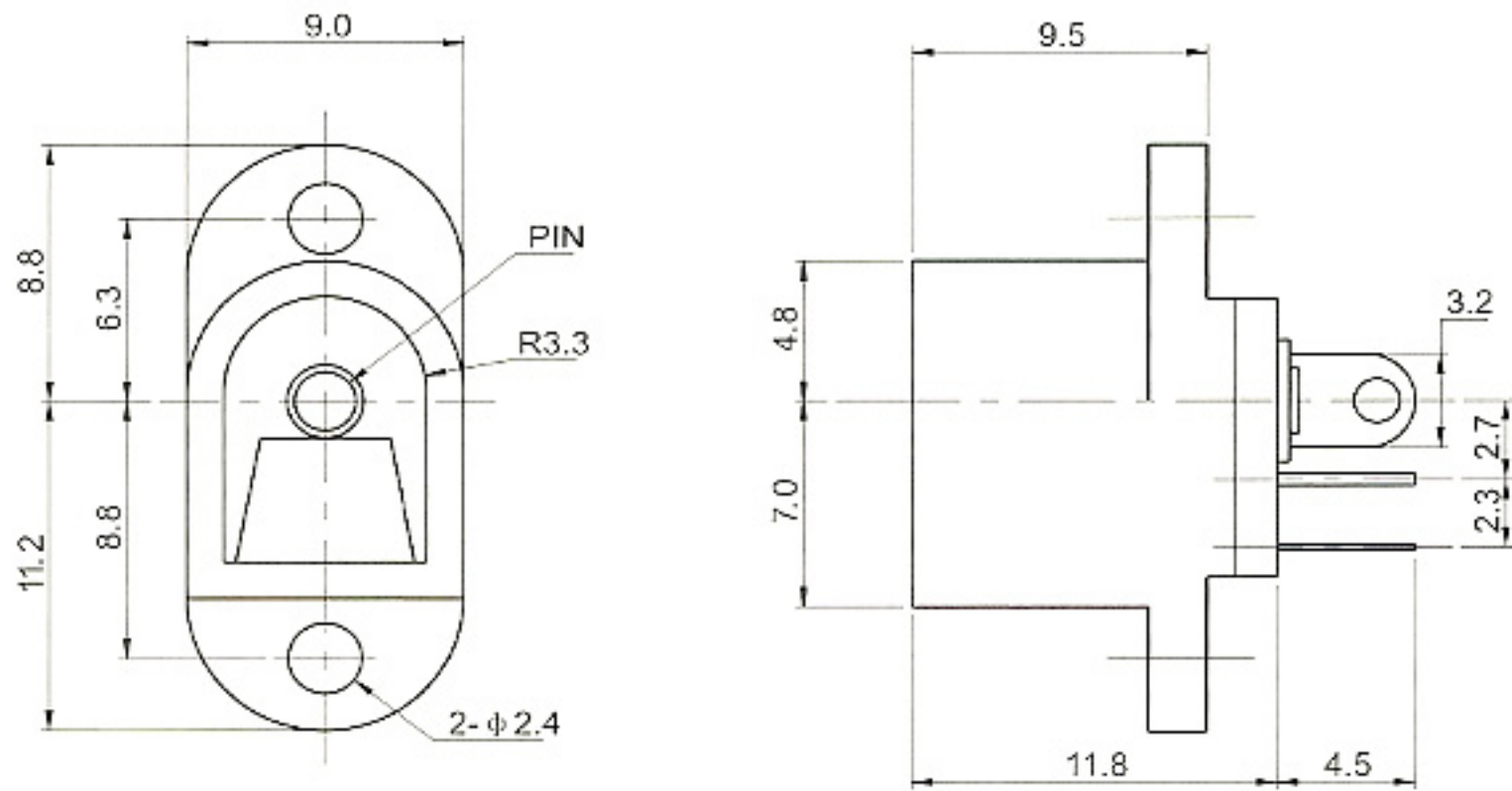
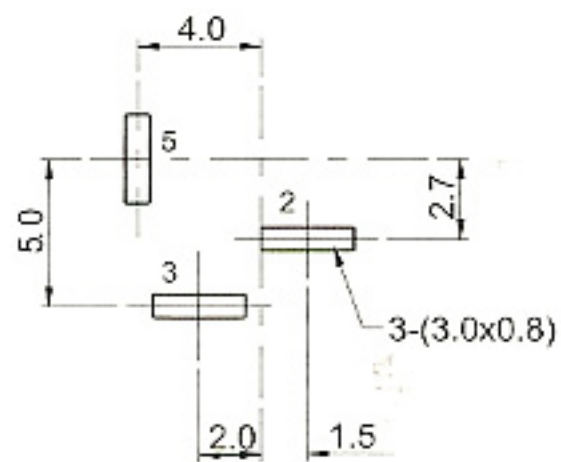


DC POWER JACK (DC-016)



P.C.B LAYOUT TOP VIEW



PIN	φ2.0	φ2.5
APPD		

