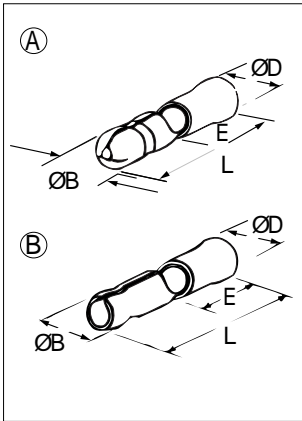


TERMINAL

● Pin(Bullet) Terminals



.156(Ø 3.96)

| Wire Range | | Nominal Size (mm ²) | Color | Part No. | Dimension (mm) | | | | | Type |
|------------|-----------------|---------------------------------|-------|----------|----------------|-----|------|------|-----|------|
| AWG | mm ² | | | | D | B | E | L | T | |
| 22-16 | 0.25-1.65 | 1.25 | Red | ATPT301 | 4.0 | 4.0 | 10.0 | 21.0 | 0.4 | A |
| 16-14 | 1.04-2.63 | 2.0 | Blue | ATPT302 | 4.5 | 4.0 | 10.0 | 21.0 | 0.4 | |

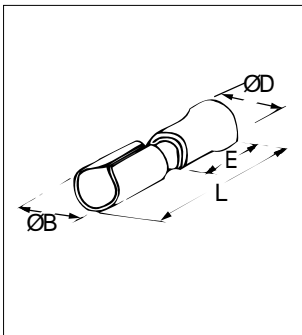
.180(Ø 4.57)

| | | | | | | | | | | |
|-------|-----------|------|------|---------|-----|-----|------|------|-----|---|
| 22-16 | 0.25-1.65 | 1.25 | Red | ATPT401 | 4.0 | 4.6 | 10.0 | 23.0 | 0.5 | B |
| 16-14 | 1.04-2.63 | 2.0 | Blue | ATPT402 | 4.5 | 4.6 | 10.0 | 23.0 | 0.5 | |

.195(Ø 5.0)

| | | | | | | | | | | |
|-------|-----------|------|------|---------|-----|-----|------|------|-----|---|
| 22-16 | 0.25-1.65 | 1.25 | Red | ATPT501 | 4.0 | 5.0 | 10.0 | 21.0 | 0.4 | A |
| 16-14 | 1.04-2.63 | 2.0 | Blue | ATPT502 | 4.5 | 5.0 | 10.0 | 21.0 | 0.4 | |

● Receptacles



.156(Ø 3.96)

| Wire Range | | Nominal Size (mm ²) | Color | Part No. | Dimension (mm) | | | | | Type |
|------------|-----------------|---------------------------------|-------|----------|----------------|-----|------|------|-----|------|
| AWG | mm ² | | | | D | B | E | L | T | |
| 22-16 | 0.25-1.65 | 1.25 | Red | ATR301 | 4.0 | 3.9 | 10.0 | 21.0 | 0.4 | |
| 16-14 | 1.04-2.63 | 2.0 | Blue | ATR302 | 4.5 | 3.9 | 10.0 | 21.0 | 0.4 | |

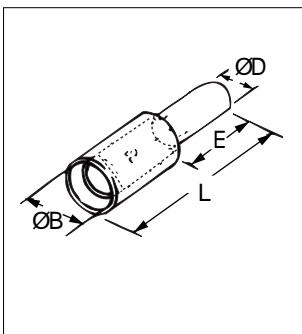
.180(Ø 4.57)

| | | | | | | | | | | |
|-------|-----------|------|------|--------|-----|-----|------|------|-----|--|
| 22-16 | 0.25-1.65 | 1.25 | Red | ATR401 | 4.0 | 4.4 | 10.0 | 23.0 | 0.4 | |
| 16-14 | 1.04-2.63 | 2.0 | Blue | ATR402 | 4.5 | 4.4 | 10.0 | 23.0 | 0.4 | |

.195(Ø 5.0)

| | | | | | | | | | | |
|-------|-----------|------|------|--------|-----|-----|------|------|-----|--|
| 22-16 | 0.25-1.65 | 1.25 | Red | ATR501 | 4.0 | 4.8 | 10.0 | 21.5 | 0.4 | |
| 16-14 | 1.04-2.63 | 2.0 | Blue | ATR502 | 4.5 | 4.8 | 10.0 | 21.5 | 0.4 | |

● Fully PVC(Vinyl) Insulated Receptacles



.156(Ø 3.96)

| Wire Range | | Nominal Size (mm ²) | Color | Part No. | Dimension (mm) | | | | | Type |
|------------|-----------------|---------------------------------|-------|-----------|----------------|-----|------|------|-----|------|
| AWG | mm ² | | | | D | B | E | L | T | |
| 22-16 | 0.25-1.65 | 1.25 | Red | ATFPRI301 | 2.75 | 6.0 | 10.4 | 25.0 | 0.4 | |
| 16-14 | 1.04-2.63 | 2.0 | Blue | ATFPRI302 | 3.35 | 6.0 | 10.4 | 25.0 | 0.4 | |

.180(Ø 4.57)

| | | | | | | | | | | |
|-------|-----------|------|------|-----------|------|-----|------|------|-----|--|
| 22-16 | 0.25-1.65 | 1.25 | Red | ATFPRI401 | 2.75 | 6.5 | 10.4 | 27.0 | 0.4 | |
| 16-14 | 1.04-2.63 | 2.0 | Blue | ATFPRI402 | 3.35 | 6.5 | 10.4 | 27.0 | 0.4 | |

.195(Ø 5.0)

| | | | | | | | | | | |
|-------|-----------|------|------|-----------|------|-----|------|------|-----|--|
| 22-16 | 0.25-1.65 | 1.25 | Red | ATFPRI501 | 2.75 | 6.5 | 10.4 | 25.5 | 0.4 | |
| 16-14 | 1.04-2.63 | 2.0 | Blue | ATFPRI502 | 3.35 | 6.5 | 10.4 | 25.5 | 0.4 | |

TERMINAL



● .375 SLIP-ON RECEPTACLES

| Wire Range | | Nominal Size (mm) | Color | Part No. | Dimension (mm) | | | | | Type |
|------------|-----------------|-------------------|--------|----------|----------------|------|------|-----|-----|------|
| AWG | mm ² | | | | E | L | W | D | T | |
| 12-10 | 2.63-6.64 | 5.5 | Yellow | ATSR375 | 14.5 | 30.5 | 11.0 | 6.5 | 0.8 | A |

● .250 SLIP-ON RECEPTACLES

| | | | | | | | | | | |
|-------|-----------|------|--------|----------|------|------|-----|-----|-----|---|
| 22-16 | 0.25-1.65 | 1.25 | Red | ATSR0101 | 10.0 | 20.8 | 7.4 | 4.0 | 0.8 | A |
| 16-14 | 1.04-2.63 | 2.0 | Blue | ATSR0102 | 10.0 | 20.8 | 7.4 | 4.5 | | |
| 12-10 | 2.63-6.64 | 5.5 | Yellow | ATSR0103 | 14.5 | 25.3 | 7.4 | 6.5 | | |

● .187 SLIP-ON RECEPTACLES

| | | | | | | | | | | |
|-------|-----------|------|------|----------|------|------|-----|-----|-----|---|
| 22-16 | 0.25-1.65 | 1.25 | Red | ATSR0201 | 10.0 | 18.8 | 5.8 | 4.0 | 0.5 | A |
| | | | | ATSR0202 | | | | | 0.8 | |
| 16-14 | 1.04-2.63 | 2.0 | Blue | ATSR0203 | 10.0 | 18.8 | 5.8 | 4.5 | 0.5 | |
| | | | | ATSR0204 | | | | | 0.8 | |

● .110 SLIP-ON RECEPTACLES

| | | | | | | | | | | |
|-------|-----------|------|------|----------|------|------|-----|-----|-----|---|
| 22-16 | 0.25-1.65 | 1.25 | Red | ATSR0301 | 10.0 | 18.8 | 3.8 | 4.0 | 0.5 | A |
| | | | | ATSR0302 | | | | | 0.8 | |
| 16-14 | 1.04-2.63 | 2.0 | Blue | ATSR0303 | 10.0 | 18.8 | 3.8 | 4.5 | 0.5 | |
| | | | | | | | | | | |

● .250 PIGGY BACK RECEPTACLES

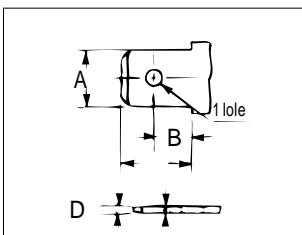
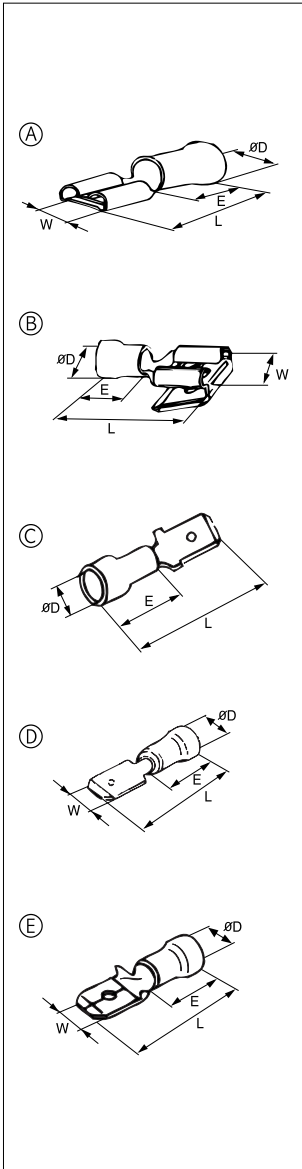
| | | | | | | | | | | |
|-------|-----------|------|------|----------|------|------|-----|-----|-----|---|
| 22-16 | 0.25-1.65 | 1.25 | Red | ATRR0101 | 10.0 | 20.8 | 7.4 | 4.0 | 0.8 | B |
| 16-14 | 1.04-2.63 | 2.0 | Blue | ATRR0102 | 10.0 | 20.8 | 7.4 | 4.5 | | |

● .250 SLIP-ON ON TAB TERMINALS

| Wire Range | | Nominal Size (mm) | Color | Part No. | Dimension (mm) | | | | | Type |
|------------|-----------------|-------------------|--------|-----------|----------------|------|------|-----|-----|------|
| AWG | mm ² | | | | E | L | W | D | T | |
| 22-16 | 0.25-1.65 | 1.25 | Red | ATSTT0101 | 10.0 | 21.5 | 6.35 | 4.0 | 0.8 | C |
| | | | | ATSTT0102 | 10.0 | 21.5 | 6.35 | 4.0 | 0.8 | D |
| | | | | ATSTT0103 | 10.0 | 20.9 | 6.3 | 4.0 | 0.4 | E |
| 16-14 | 1.04-2.63 | 2.0 | Blue | ATSTT0201 | 10.0 | 21.5 | 6.35 | 4.5 | 0.8 | C |
| | | | | ATSTT0202 | 10.0 | 21.5 | 6.35 | 4.5 | 0.8 | D |
| | | | | ATSTT0203 | 10.0 | 20.9 | 6.3 | 4.5 | 0.4 | E |
| 12-10 | 2.63-6.64 | 5.5 | Yellow | ATSTT0301 | 14.5 | 25.4 | 6.3 | 6.5 | 0.4 | E |

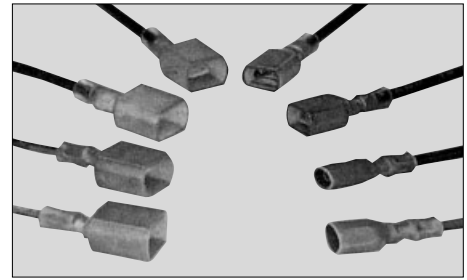
● 187 SLIP-ON ON TAB TERMINALS

| | | | | | | | | | | |
|-------|-----------|------|------|-----------|------|------|------|-----|-----|---|
| 22-16 | 0.25-1.65 | 1.25 | Red | ATSTT0401 | 10.0 | 20.0 | 4.75 | 4.0 | 0.5 | C |
| 16-14 | 1.04-2.63 | 2.0 | Blue | ATSTT0501 | 10.0 | 20.0 | 4.75 | 4.5 | 0.5 | |



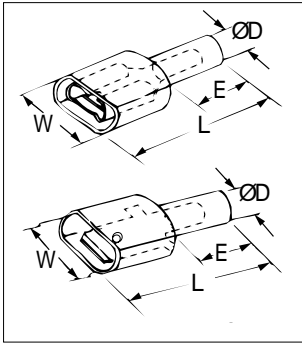
| TAB | A | B | C | D |
|-------------|------|------|-------|------|
| .375 Series | 9.5 | 7.3 | 11.90 | 1.12 |
| .250 Series | 6.35 | 4.06 | 8.0 | 0.8 |
| .187 Series | 4.75 | 3.18 | 6.35 | 0.5 |
| .110 Series | 2.79 | 5.54 | 7.11 | 0.5 |

TERMINAL



● Fully Nylon Insulated

● .250 SLIP-ON RECEPTACLES



| Wire Range | | Nominal Size (mm) | Color | Part No. | Dimension (mm) | | | |
|------------|-----------------|-------------------|-------|-------------|----------------|-----|------|------|
| AWG | mm ² | | | | D | W | E | L |
| 22-16 | 0.25-1.65 | 1.25 | Red | DAT 199 FNR | 4.0 | 9.9 | 10.4 | 23.0 |
| 16-14 | 1.04-2.63 | 2.0 | Blue | DAT 299 FNR | 4.5 | 9.9 | 10.4 | 23.0 |

● .250 SLIP-ON TAB

| | | | | | | | | |
|-------|-----------|------|------|----------------|-----|------|------|------|
| 22-16 | 0.25-1.65 | 1.25 | Red | DAT1250FNT1102 | 4.0 | 10.2 | 10.4 | 24.0 |
| 16-14 | 1.04-2.63 | 2.0 | Blue | DAT1250FNT2102 | 4.5 | 10.2 | 12.4 | 26.0 |

● E.C.S TERMINALS(Insulated with Extra Copper Sleeve)

