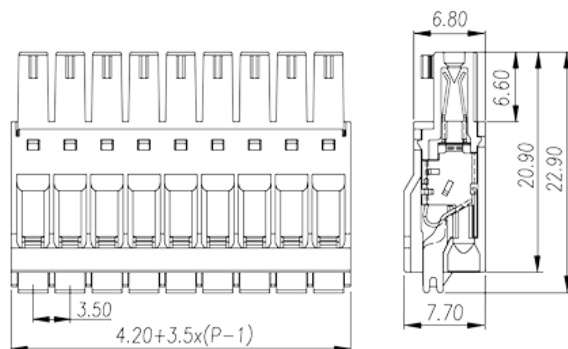
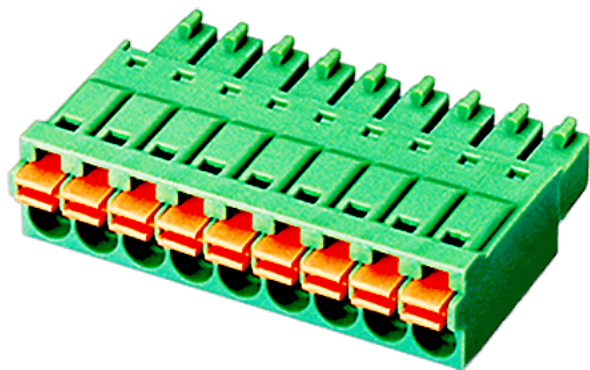


0221-20XX

PCB Terminal blocks > PCB Connector-Plug



Product Description

Pitch: 3.50 mm , 300V, 8A

General information

Short description	PCB Connector Plug , Push in design
Connection method	Push in design
Type of locking	Without
Category	Push in design
Pitch mm	3.5

Material information

Insulation material	PA66
Flame retardant rating , compliant with UL94	V0
Color	Green
Conductor material	Copper Alloy
Plating of conductor surface	Tinned

Connection data-UL

Stripping Length mm	8
Rated voltage V (UL/CUL standard group B)	300
Rated current A (UL/CUL standard group B)	8

AWG, compliant with UL/CUL, Sol. max (group B)	16
AWG, compliant with UL/CUL, Sol. min (group B)	24
AWG, compliant with UL/CUL, Str. max (group B)	16
AWG, compliant with UL/CUL, Str. min (group B)	24
AWG, compliant with UL/CUL, Sol. max (group D)	16
AWG, compliant with UL/CUL, Sol. min (group D)	24
AWG, compliant with UL/CUL, Str. max (group D)	16
AWG, compliant with UL/CUL, Str. min (group D)	24

Connection data-IEC

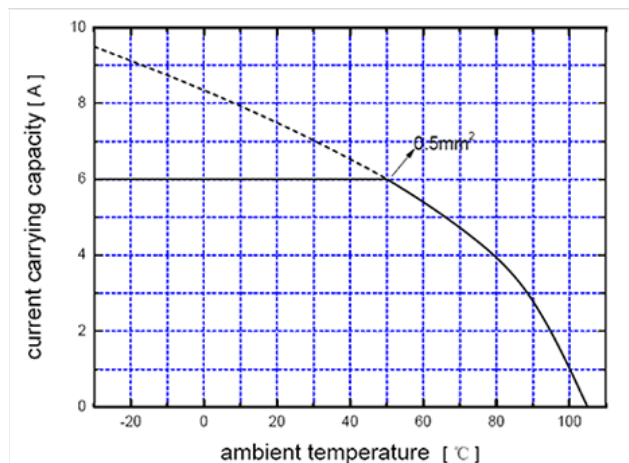
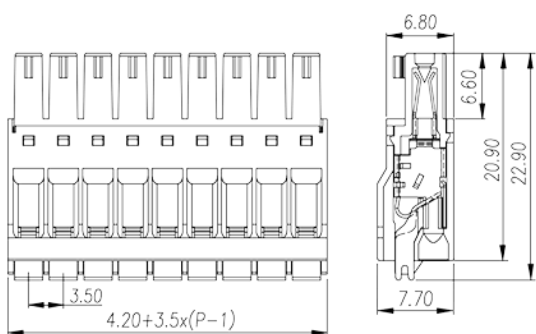
Surge voltage category	II
Pollution degree	2
Insulating material group	I
Rated current A	8
Rated voltage V	320
Rated voltage V (II/2)	320
Rated voltage V (III/2)	160
Rated voltage V (III/3)	160
Rated impulse voltage KV (II/2)	2.5
Rated impulse voltage KV (III/2)	2.5
Rated impulse voltage KV (III/3)	2.5
Conductor cross section solid. min mm ²	0.2
Conductor cross section solid.max mm ²	1.5
Conductor cross section stranded. min mm ²	0.2
Conductor cross section stranded. max mm ²	1.5
Conductor cross section flexible, with max ferrule without plastic sleeve mm ²	1
Conductor cross section flexible, with min ferrule without plastic sleeve mm ²	0.25
Conductor cross section flexible, with max ferrule with plastic sleeve mm ²	0.75
Conductor cross section flexible, with min ferrule with plastic sleeve mm ²	0.25

Environment & Safety

Back of the hand protection (YES or NO)	YES
Finger protection (YES or NO)	YES

Operating temperature. max °C	115
Operating temperature. min °C	-40

Drawings



Approvals

