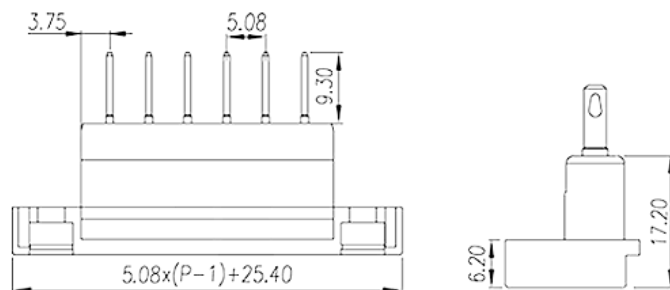
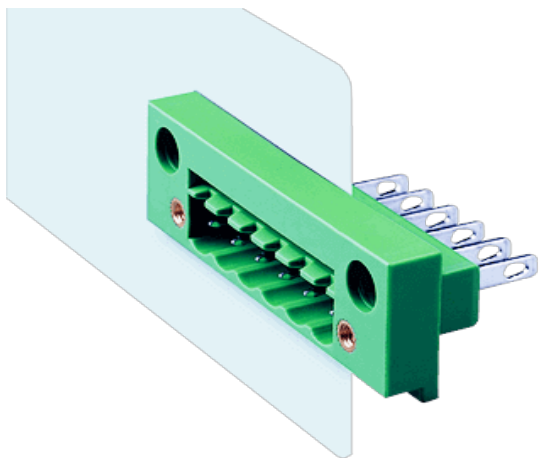


2EHDP-XXP

PCB Terminal blocks > PCB Connector-Socket



Product Description

Pitch: 5.08 mm , 300V, 15A

General information

Short description	PCB connector socket , Iron soldering
Soldering method	Iron Soldering
Type of locking	With threaded flange
Pitch mm	5.08
Level	Single level
Pin demensions (Thickness x Width) mm	0.8X2.9

Material information

Insulation material	PA
Flame retardant rating , compliant with UL94	V0
Color	Green
Conductor material	Copper Alloy
Plating of conductor surface	Tinned

Connection data-UL

Rated voltage V (UL/CUL standard group B)	300
Rated current A (UL/CUL standard group B)	15

Rated voltage V (UL/CUL standard group D)	300
Rated current A (UL/CUL standard group D)	10

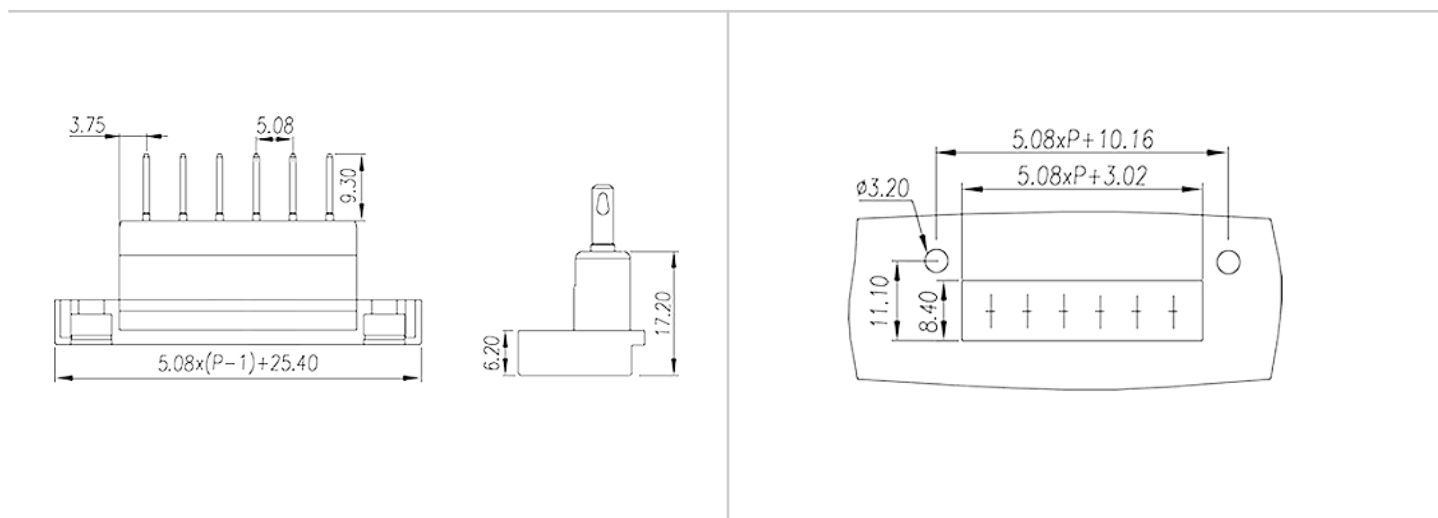
Connection data-IEC

Rated data	IEC61984
Surge voltage category	II
Pollution degree	2
Insulating material group	I
Rated current A	18
Rated voltage V	600
Rated voltage V (II/2)	600
Rated voltage V (III/2)	320
Rated voltage V (III/3)	250
Rated impulse voltage V (II/2)	4
Rated impulse voltage V (III/2)	4
Rated impulse voltage V (III/3)	4

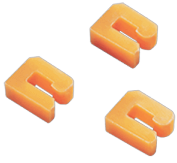
Environment & Safety

Finger protection (YES or NO)	YES
Operating temperature. max °C	110
Operating temperature. min °C	-40

Drawings



Accessories



EHDK1

For EHD series Orange color Using UL94-V0 class of insulation material

Approvals

