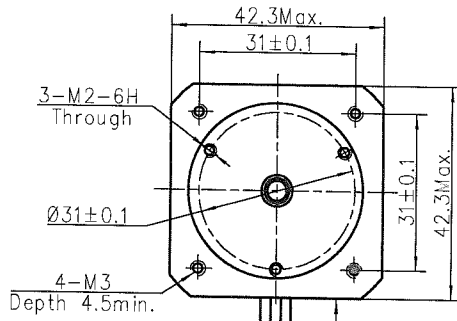
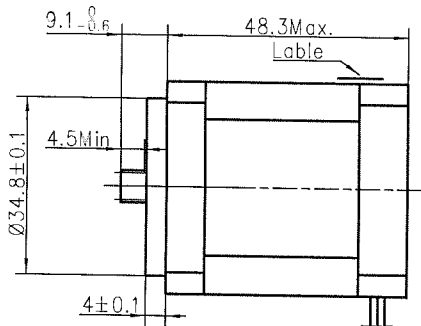
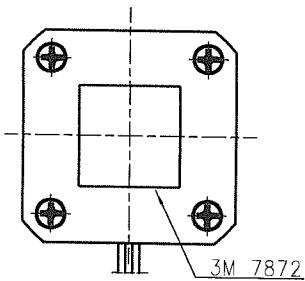
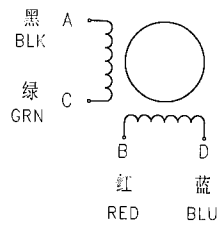


4611110010130



接线图  
Wiring Diagram



连接器针位vs.引线颜色  
Pin No. vs. Lead Wire Colour

PIN No.	颜色 Colour
1	蓝 Blue
2	N/C
3	红 Red
4	绿 Green
5	N/C
6	黑 Black

HOUSING: YEONHO SMH250-06  
TERMINAL: YEONHO YST 025



励磁顺序vs.旋转方向  
Exciting Sequence vs. Direction of Rotation

STEP	A	B	C	D
1	+	+	-	-
2	-	+	+	-
3	-	-	+	+
4	+	-	-	+

从安装面看为顺时针方向  
Clockwise view from mounting side

规格 Specifications

1. 相数 Number of Phase	2
2. 步距角 Step Angle	1.8°
3. 额定电压 Rated Voltage	12V DC
4. 额定电流 Rated Current	0.4A
5. 保持力矩 Holding Torque	0.44N.m MIN(Two phase on/rated current)
6. 相电阻 Phase Resistance	30ohm±10%(20°C)
7. 相电感 Phase Inductance	60mH±20%(1kHz 1V rms)
8. 转子惯量 Rotor Inertia	82g.cm <sup>2</sup>
9. 电机重量 Motor Weight	0.36kg
10. 绝缘等级 Insulation Class	B(130°C)

齿轮轴规格 Gear Shaft Specification

模数 Module	m=0.5
齿数 Number of Teeth	Z=10
压力角 Pressure Angle	a=20°
螺旋角 Helix Angle	15° LH
齿顶圆 Outside Diameter	De=Ø6.25-0.02
节圆 Pitch Diameter	Dp=Ø5
变位系数 Deflection Coefficient	0.25
公法线长度 Base Tangent Length(2 teeth)	2.37-0.03
精度等级 Accuracy Class	Grade 7: GB 2363-1990

铭牌 Label Detail

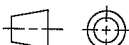
MOONS' STEPPING MOTOR  
TYPE: 17HD6421-05N  
XXXXXXXX YY/MM/DD  
MADE IN CHINA

Work Order  
加工单号

Date Format  
日期格式

★ 使用黑端盖 Black Endbell

Unit: mm  
第一角画法  
FIRST ANGLE METHOD



未注线性与角度尺寸公差  
Tolerances for linear and angular dimensions without individual tolerance indications  
GB/T 1804-m eqv ISO 2768-1:m  
未注形位与位置尺寸公差  
Geometrical Tolerances and features without individual tolerance indications  
GB/T 1184-K eqv ISO 2768-2:K

批准 Approve	2013/3/13
标准化 Standard	2012/6/19
工艺 Technology	2012/6/22
审核 Check	2013/4/19
设计 Design	樊峰涛

**MOONS'** Hybrid Stepping Motor  
Shanghai Moons' Electric Co., Ltd.

This document is released for information only. Its reproduction in whole or in part or its dissemination to third parties is prohibited. All trademarks and registered trademarks appearing on this document are the property of their respective owners.

REV.	版本记录 REVISION RECORD	DATE
D	Change Gear Shaft Specification	13.04.13
C	Change the wire and inductance	2012.06.12
B	Change the label	2012.05.09
A	原始版本 Original revision	2012.05.02

REV.	UNLESS OTHERWISE SPECIFIED	NAMES	SIGNATURE	DATE	Type: 17HD6421-05N	Rev.D	SCALE 1:1	Sheet 1 of 1
------	----------------------------	-------	-----------	------	--------------------	-------	-----------	--------------