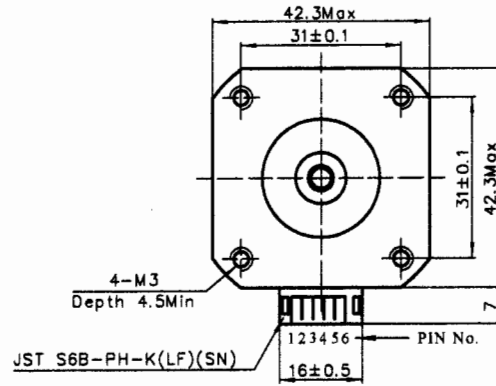
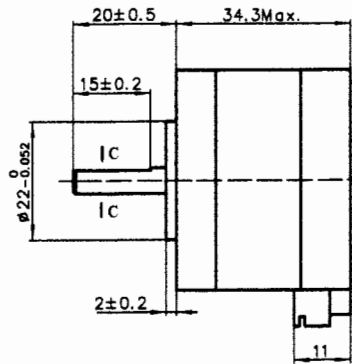
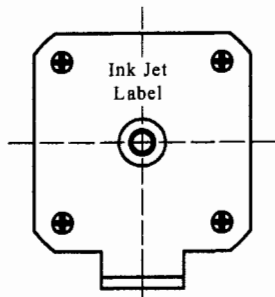
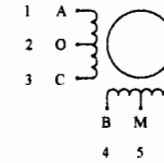


4611110008658



接线图

Wiring Diagram



励磁顺序 vs. 旋转方向

Exciting Sequence vs. Direction of Rotation

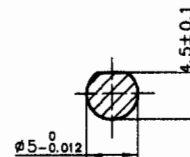
STEP	A	B	C	D	M	CCW
1	-	-			+	+
2			-	-	+	+
3					-	-
4	-	-			+	+

从安装面看为顺时针方向
Clockwise view from mounting side

规格 Specifications

1. 相数 Number of Phase	4
2. 步距角 Step Angle	1.8°
3. 额定电压 Rated Voltage	4.0V DC
4. 额定电流 Rated Current	0.95A
5. 保持力矩 Holding Torque	0.16N.m Min. (Two phases on rated current)
6. 相电阻 Phase Resistance	4.2Ω±10% (20°C)
7. 相电感 Phase Inductance	2.4mH±20% (1kHz 1V rms)
8. 转子惯量 Rotor Inertia	38g.cm ²
9. 电机重量 Motor Weight	200g
10. 绝缘等级 Insulation Class	B(130°C)

C-C(2:1)



铭牌 Label Detail

MOONS' STEPPING MOTOR
TYPE: 17HD4031-04N
XXXXXXXX YY/MM/DD
MADE IN CHINA

Work Order
加工单

Date Format
日期格式

保 密

L			Unit: mm	批准 Approve	张 晓 钢	2011.03.15	MOONS' Hybrid Stepping Motor Shanghai Moons' Electric Co., Ltd.
K			第一角画法 FIRST ANGLE METHOD	标准化 Standard	张 晓 钢	2011.03.15	
J			未注公差与角度尺寸公差 Tolerances for linear and angular dimensions without individual tolerance indications GB/T 1804-m eqv ISO 2768-1:m	工艺 Technology	张 晓 钢	11.03.15	
I			未注形位公差 Geometrical tolerance for features without individual tolerance indications GB/T 1184-K eqv ISO 2768-2:K	审核 Check	张 晓 钢	03.15	
H				设计 Design	张 晓 钢	2011.03.14	
G							This document is released for information only. Its reproduction in whole or in part or its dissemination to third parties is prohibited. All trademarks and registered trademarks appearing on this document are the property of their respective owners.
A	原始版本 Original revision	2011.03.14					
REV.	版本记录 REVISION RECORD	DATE	UNLESS OTHERWISE SPECIFIED	NAMES	SIGNATURE	DATE	Type: 17HD4031-04N Rev. A SCALE 1:1 Sheet 1 of 1