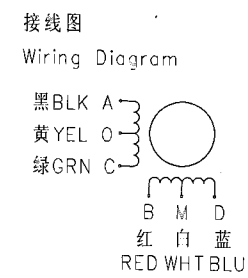
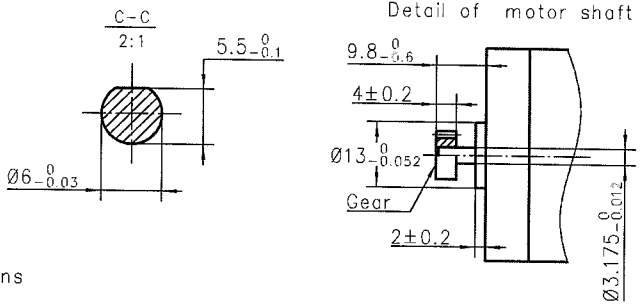
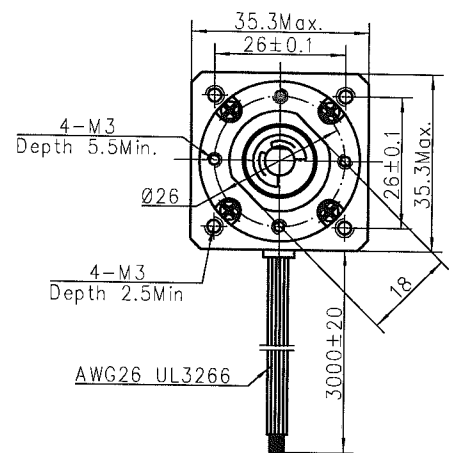
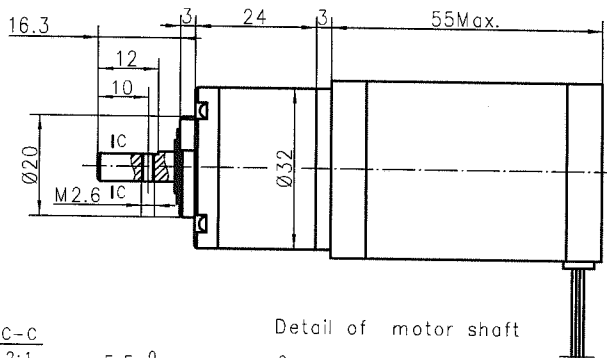
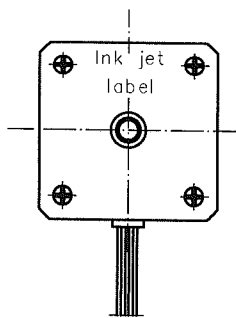


4611110009771



励磁顺序 vs. 旋转方向
Exciting Sequence vs. Direction of Rotation

STEP	A	B	C	D	O	M
1	-	-	-	-	+	+
2	-	-	-	-	+	+
3	-	-	-	-	+	+
4	-	-	-	-	+	+

↑ ccw
↓ cw

从安装面看为顺时针方向
Clockwise view from mounting side

规格 Specifications

1. 相数 Number of Phase	4
2. 步距角 Step Angle	1.8°
3. 额定电压 Rated Voltage	5.64V DC
4. 额定电流 Rated Current	1.2Amp
5. 保持力矩 Holding Torque	0.2N.m Min.(Two phase on/rated current)
6. 相电阻 Phase Resistance	4.7ohm±10%(20°C)
7. 相电感 Phase Inductance	2.1mH±20%(1kHz 1V rms)
8. 转子惯量 Rotor Inertia	35g.cm ²
9. 电机重量 Motor Weight	0.24kg
10. 绝缘等级 Insulation Class	B(130°C)

铭牌 Label Detail

MOONS' STEPPING MOTOR
TYPE 14HS5601-02NG
XXXXXXXX YY/MM/DD
MADE IN CHINA

Work Order
加工单号

Date Format
日期格式

齿轮箱规格 Gearbox Specification

变速比 Ratios	1:14
效率 Efficiency	70%
额定容许扭矩 Rated tolerance torque	6kgf.cm Max.
最大瞬间容许扭矩 Max momentary tolerance torque	18 kgf.cm
径向位移 Radial play of shaft	≤0.05mm
轴向位移 Thrust play of shaft	≤0.3mm

齿轮规格 Gear Specification

模数 Module	m=0.5
齿数 Number of Teeth	Z=17
压力角 Pressure Angle	α=20°
齿顶圆 Outside Diameter	De=Ø9.43
节圆 Pitch Diameter	Dp=Ø8.5
公法线长度 Base Tangent Length(2 teeth)	2.31
精度等级 Accuracy Class	JGMA 4级
材料 Material	AlSi 1144



Unit: mm	
第一角画法 FIRST ANGLE METHOD	
未注线性与角度尺寸公差 Tolerances for linear and angular dimensions without individual tolerance indications	GB/T 1804-m eqv ISO 2768-11 m
未注形状与位置尺寸公差 Separation tolerances for features without individual tolerance indications	GB/T 1184-K eqv ISO 2768-2:K
A 原始版本 Original revision	2012.02.08
REV. 版本记录 REVISION RECORD	DATE

批准 Approve		2.9
标准化 Standard		2.9
工艺 Technology		12.02.09
审核 Check		2.9
设计 Design	洪期权	2012.02.08
NAMES	SIGNATURE	DATE

MOONS'		Hybrid Stepping Motor	
Shanghai Moons' Electric Co., Ltd.			
This document is released for information only. Its reproduction in whole or in part or its dissemination to third parties is prohibited. All trademarks and registered trademarks appearing on this document are the property of their respective owners.			
Type: 14HS5601-02NG	Rev.A	SCALE 1:1	Sheet 1 of 1