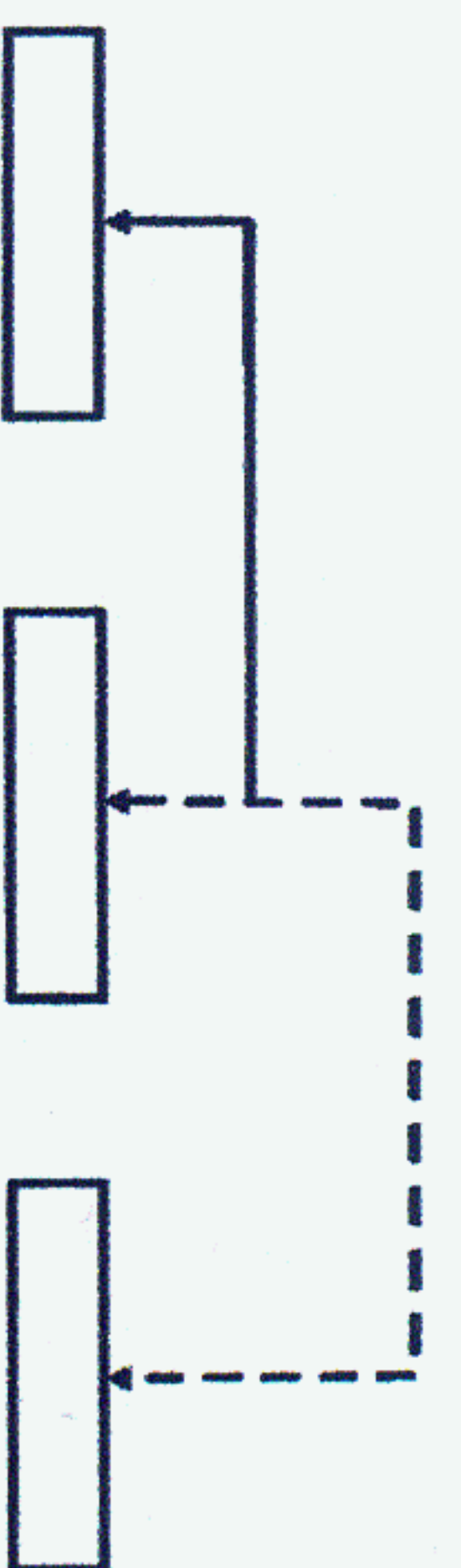


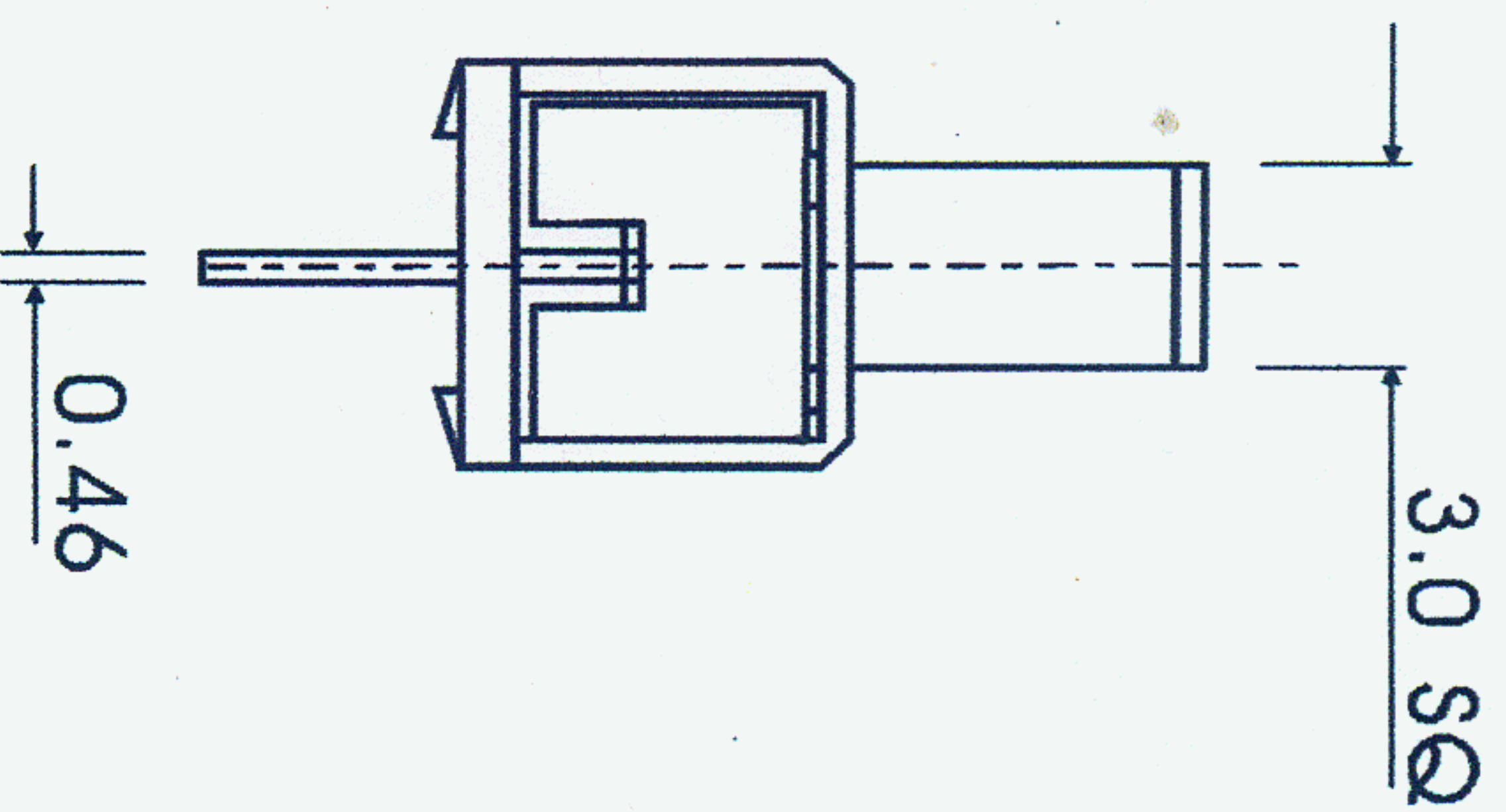
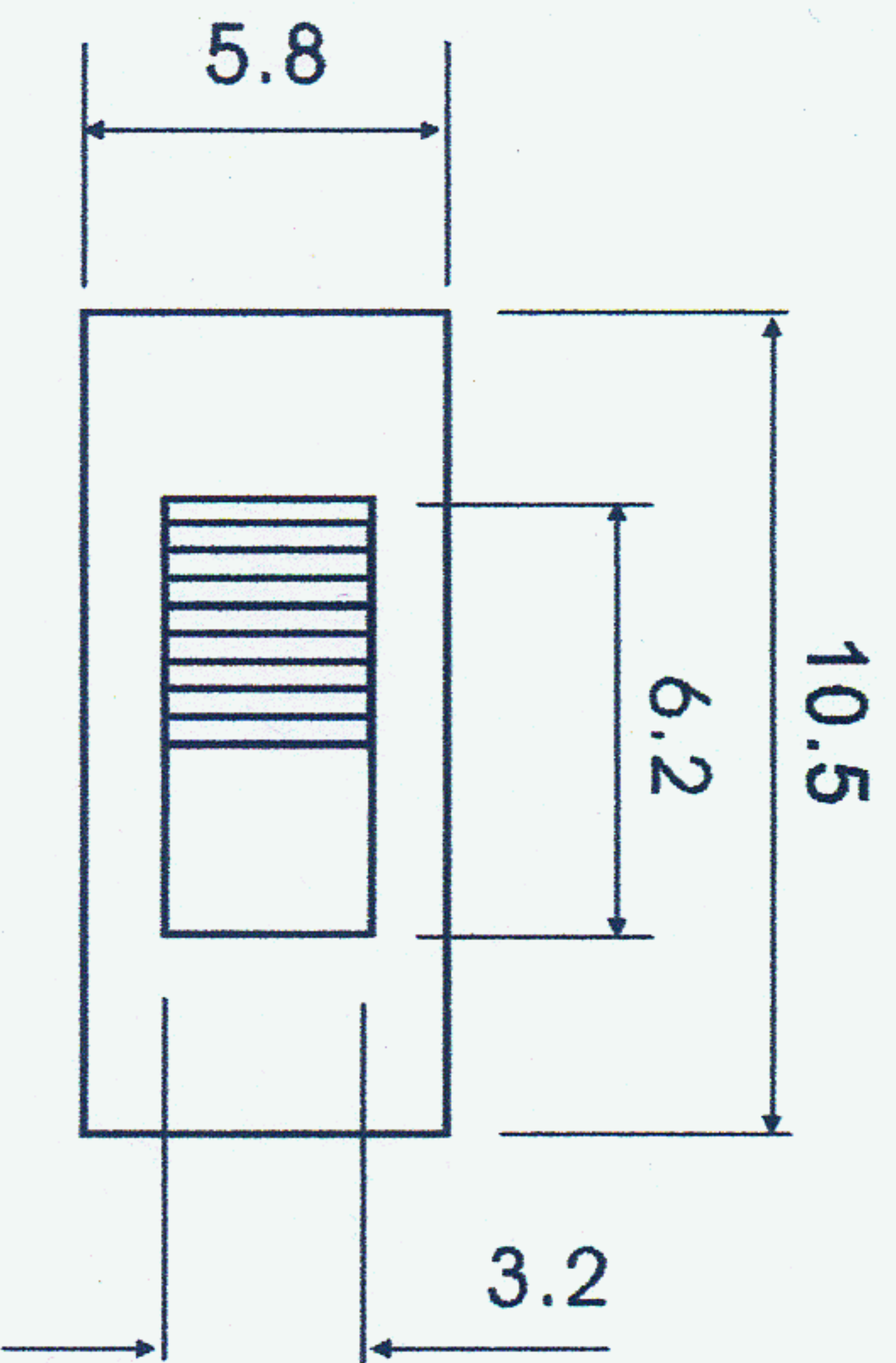
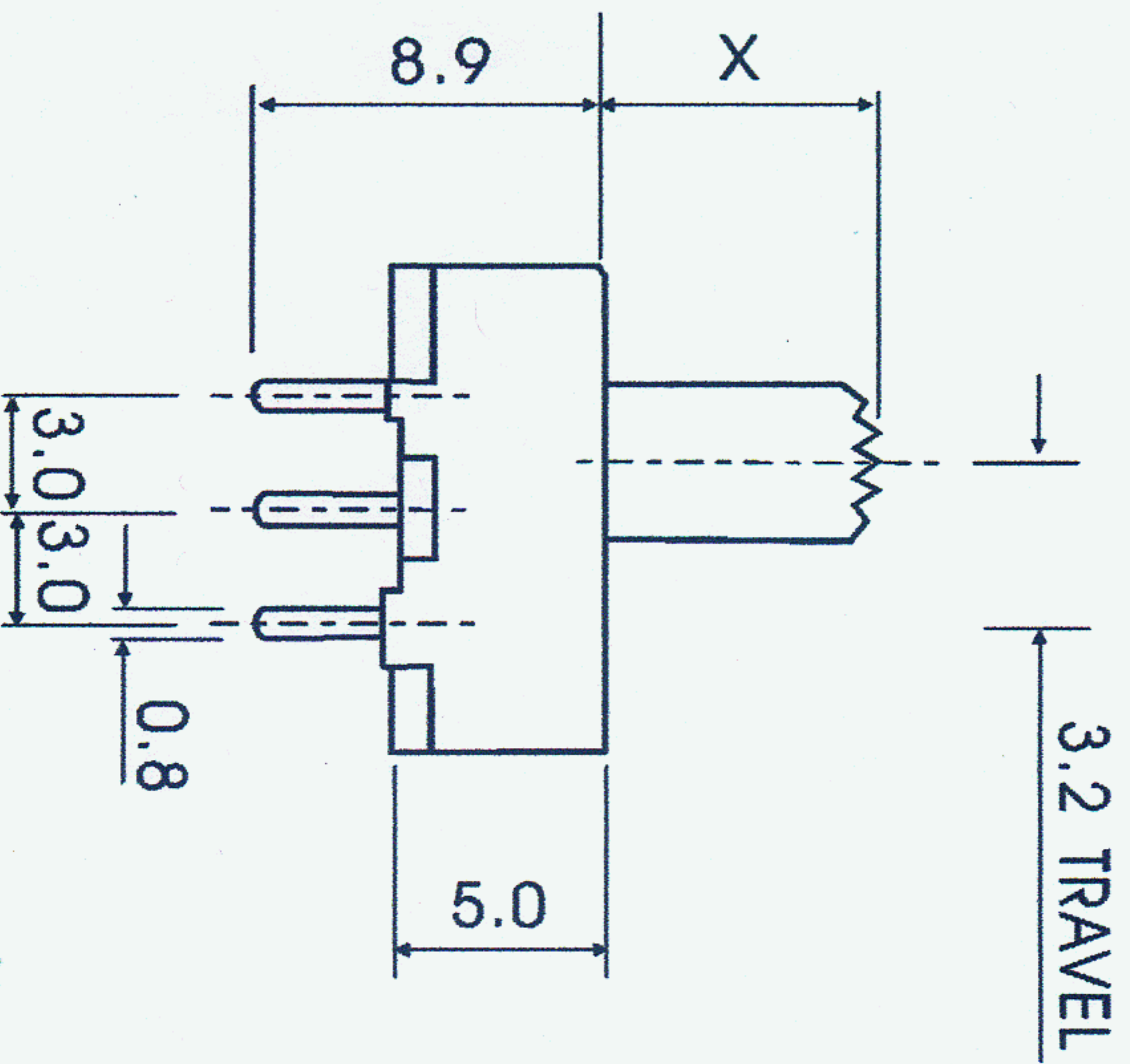


CAD FILE:



OPTIONAL KNOB:

G 2-15
VG 2-15



8					TOLERANCE UNLESS SPECIFIED					
7					WITHIN: 1.5mm ± 0.1mm OVER : 1.5mm ± 0.2mm	ISSUE	DATE			
6					TITLE : Slide Switch			UNIT :MM	DESCRIPTIONS	APPD.
5	SPRING	SUS	1	TEMPER	MODEL: SS-12F17(1P2T)			SCALE:5:1		
4	CAM STICK	SUS	1	NATURAL	Tongye Electronic Co., Ltd.				DRWG NO.:	
3	INSERT CASE	NYLON+F.G./BRASS STRIP	1	GREY/Ag PLATED OVER N PLATED		DWN				
2	COVER	POM	1	BLACK/WHITE	CHK'D					
1	INSERT KNOB	POM/PBS C5210R-EH	1	WHITE/Ag CLAD	APPD.					
NO.	PART NAME	MATERIAL	Q'TY	FINISHING						