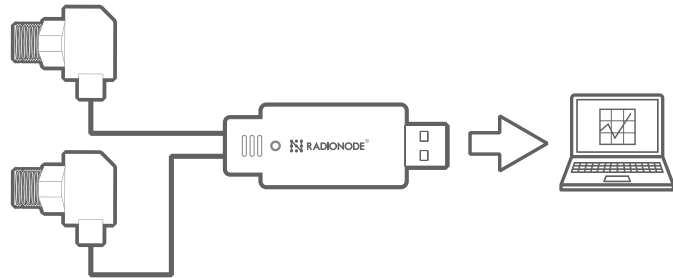




## 4-20mA / 0-20mA Signal Converter to USB

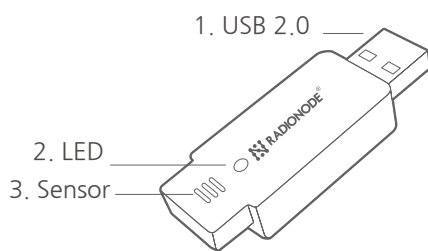
# UA20-A

- 2 Channel 4-20mA(0-20mA) Analog to Digital
- High Accurate 100 Ohm 0.05%
- Zero/Span Calibrated / Easy Scaler Setup
- Operating On Windows / Linux / MacOS
- AT Command Support
- PC Recording Software (Tapaculo Lite)
- Android Recording App. (Tapaculo Mobile)

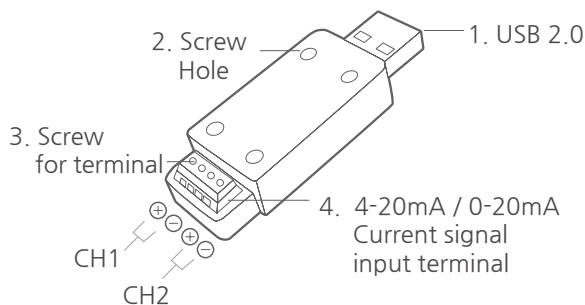


The UA20-A device transmits the 4-20mA /0-20mA current analog signal into digital data. It transmits digital information to host devices in real-time via the USB connector. It does not have a battery and a memory to store samples inside. The UA Series is automatically recognized as a serial port on the operating system and accessed using the AT command. Multiple USB connections of UA device could compose the multi-channel sensor. 128CH real time monitoring software, Tapaculo Lite is downloadable on our website([www.radionode365.com](http://www.radionode365.com)). And android real time recording application is also available from google play store. The optional RN17X model helps UA series for you to setup a remote web monitoring system.

### Hardware

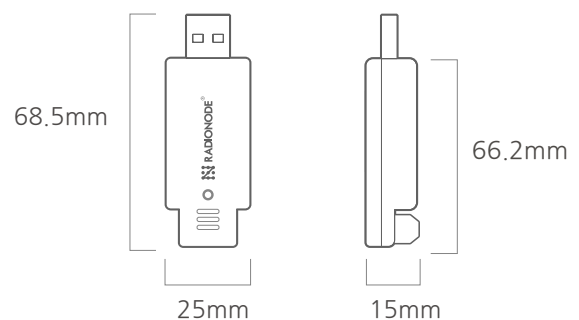


<Front>



<Bottom>

### Dimensions



### Notice

- Download the Tapaculo Lite (monitoring software on PC) **from [www.radionode365.com](http://www.radionode365.com)**.
- Download the Tapaculo Mobile (monitoring software on Android) from google play store.

### Contact Information

- [www.radionode365.com](http://www.radionode365.com)
- [master@dekist.com](mailto:master@dekist.com)

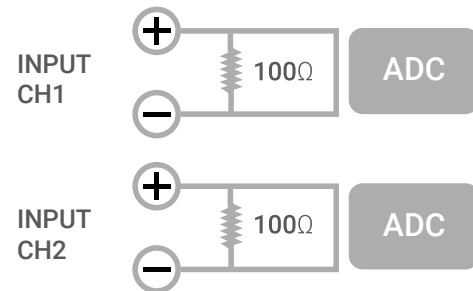


## 4-20mA / 0-20mA Signal Converter to USB

### UA20-A Specifications

Power	5V(USB Power), 50mW
Input 4-20mA(2CH)	<ul style="list-style-type: none"> <li>• Channel # : 2</li> <li>• Accuracy: <math>\pm 0.08\%</math> F.S.</li> <li>• Resolution : 0.01mA</li> <li>• Sample Rate : 300ms/Channel</li> </ul>
Sensing Interval	Min: 100ms
Scale Range Setup	Software Setting -99999.99 ~ 99999.99
Operating Range	<ul style="list-style-type: none"> <li>• Temp : -20 ~ 80°C (-4 ~ 176°F)</li> <li>• Humidity: 5 ~ 95%RH</li> </ul>
Internal Resistance	100 Ohm 0.05% Included
USB Port	USB 2.0 Type A Plug
Event Mode	Software Selection <ul style="list-style-type: none"> <li>• MODE 1 NORMAL (PULL MODE)</li> <li>• MODE 2 LO/HI EDGE (Out Bound)</li> <li>• MODE 3 DIFF. CHANGE EVENT</li> <li>• MODE 4. LO/HI EDGE (In Bound)</li> </ul>
LED	Device Status Indicator RED KEEP ON : USB connection Failed GREEN BLINK : Measuring Sensors
Input Signal Mode	Software Selection 4-20mA or 0-20mA
Zero/Span Setup	Drift can be calibrated by Software
Software Support	<ul style="list-style-type: none"> <li>*Tapaculo Lite &gt; 32CH recording software on PC</li> <li>*Tapaculo Mobile &gt; 2CH recording software on Android devices</li> <li>*Calibration Software &gt; Calibrator that compensates measuring error.</li> </ul>

### Internal Block diagram



### Product Components

Model	Component
UA20-A	<ul style="list-style-type: none"> <li>• UA20-A (1EA/2CH 4-20mA or 0-20mA Transmitter)</li> </ul>

### Accessories

Type	Model Number	Spec.
Sensor data transmitter	RN171 WC	<ul style="list-style-type: none"> <li>• Supports cloud monitoring</li> <li>• Supports MODBUS TCP/ HTTP data transmission</li> <li>• Power: PoE 48V, IEEE802.3af/at, DC6V, 1.9W</li> </ul>
Sensor data transmitter	RN172 WC	<ul style="list-style-type: none"> <li>• Supports cloud monitoring</li> <li>• Supports MODBUS TCP/ HTTP data transmission</li> <li>• Power: DC6V, 2.4W</li> </ul>