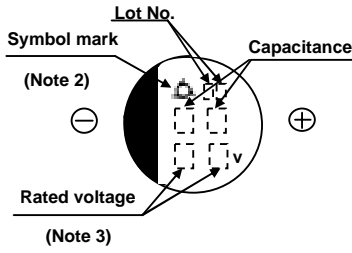


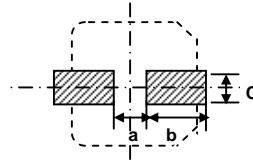
DIMENSIONS OF MV Series (Type:VC)

Unit(mm)

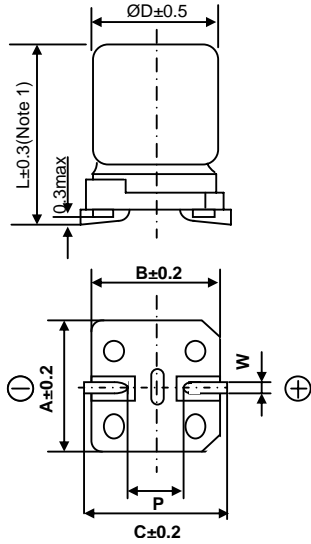
DIMENSIONS



Recommended solder land on PC board



: Solder pad on PC board



Note1 : L±0.5 for 8x6.3(H63), 8x10(H10), 10x10(J10)
 Note2 : 3x5.2(B55), 4x5.3(D55) is excluded symbol mark.
 Note3 : 6.3WV is marked by 6V.

Case code	ØD	L	A	B	C	W	P	a	b	c
B55	3	5.2	3.3	3.3	3.7	0.45 ~ 0.75	0.8	0.8	2.2	1.6
D55	4	5.2	4.3	4.3	5.1	0.5 ~ 0.8	1.0	1.0	2.6	1.6
E55	5	5.2	5.3	5.3	5.9	0.5 ~ 0.8	1.4	1.4	3.0	1.6
F55	6.3	5.2	6.6	6.6	7.2	0.5 ~ 0.8	1.9	1.9	3.5	1.6
F60	6.3	5.7	6.6	6.6	7.2	0.5 ~ 0.8	1.9	1.9	3.5	1.6
F80	6.3	7.7	6.6	6.6	7.2	0.5 ~ 0.8	1.9	1.9	3.5	1.6
H63	8	6.3	8.3	8.3	9.0	0.5 ~ 0.8	2.3	2.3	4.5	1.6
H10	8	10	8.3	8.3	9.0	0.7 ~ 1.1	3.1	3.1	4.2	2.2
J10	10	10	10.3	10.3	11.0	0.7 ~ 1.1	4.5	4.5	4.4	2.2

RATINGS OF MV Series

µF	4(0G)		6.3(0J)		10(1A)		16(1C)		25(1E)		35(1V)		50(1H)		63(1J)		100(2A)					
	B55	D55	B55	D55	E55	D55	B55	D55	E55	D55	E55	D55	F55	D55	F60	D55	F60	H10	J10			
0.1													B55	D55	1.1	1.3	D55	1.3				
0.15													B55	D55	2.0	2.0	D55	2.5				
0.22													B55	D55	2.0	2.9	D55	3.0				
0.33													B55	D55	3.0	3.5	D55	4.0				
0.47													B55	D55	3.8	4.2	D55	5.0				
0.68													B55	D55	4.6	5.1	D55	6.0				
1													B55	D55	5.6	6.2	D55	8.0				
1.5													B55	D55	6.9	7.5	D55	9.5				
2.2											B55	D55	7.7	B55	D55	8.3	10	D55	12			
3.3											B55	D55	9.4	D55	14	E55	17					
4.7									B55	D55	10.5	D55	15	E55	19	E55	20					
6.8							B55	D55	11.6	D55	16	E55	20	F55	24	F55	25					
10						B55	D55	12.8	B55	D55	14	17	E55	25	E55	25	F55	29	F60	32		
15						D55	20	E55	26	F55	33	F55	33	F60	32	F60	40					
22	B55	D55	14	B55	D55	23	E55	32	E55	32	F55	40	F55	40	F60	45	F80	60	H10	90		
33	D55	23	E55	35	E55	35	F55	45	F55	45	F60	55	H63	F80	95	H10	110	J10	120			
47	D55	27	E55	38	F55	50	F55	50	F60	65	H63	F80	105	H10	140	H10	130					
68	E55	38	F55	54	F55	54	F60	48	H63	F80	115	H10	157	J10	170	J10	170					
100	E55	46	F55	60	F60	70	F60	F63	80	175	H63	F80	145	H10	175	J10	195					
220	F55	74	F60	H63	80	175	H63	F80	175	H10	215	J10	265	J10	265							
330			H63	H80	190	H10	270	H10	270													
470			H10	265	J10	330	J10	330														
1,000			J10	400																		

↑ Rated Ripple Current(mArms/85 , 120Hz)
 ↑ Case Code

Height 4.6mm max. is available upon request.
 Please check with us about individual size and dimensions.