



FEATURES 24V, 48V Inputs / Single, Dual, Triple Outputs

- High Efficiency
- Industrial Standard Pin Layout
- Encapsulated Small / Compact Size
- Wide 4:1 Input Range
- 250kHz Fixed Frequency
- Input / Output Isolation
- Surface Mount Technology
- Six-Sided EMI Shield
- Output Low Ripple / Noise
- Current Mode Control
- Remote On/Off Control (CNT)
- Output Voltage Adjustment (TRM)
- Over Voltage Protection (OVP)
- 3 Year Warranty

ELECTRICAL SPECIFICATIONS

Input	<ul style="list-style-type: none"> · Input Range DC 24V(10 - 36), 48V(20 - 72) · Efficiency 80 - 87% Typ. · Remote On/Off Control TTL Compatible <ul style="list-style-type: none"> On : 2.5 to 5.5 Vdc or Open Off : 0 to 0.8 Vdc
Output	<ul style="list-style-type: none"> · Output Voltages 3.3V, 5V, 12V, 15V, ±5V, ±12V, ±15V, 3.3V/±12V, 3.3V/±15V, 5V/±12V, 5V/±15V · Operating Voltage Tolerance ±2.0% (Single and Uncomplementary Dual), ±3.0% (Complementary Dual) · Line Regulation ±0.25% Max. (Output 1), ±5.0% Max. (Output 2, 3) · Load Regulation ±0.25% Max. (Single), ±2.5% Max. (Dual) <ul style="list-style-type: none"> ±0.25% Max. (Output 1) ±8.0% Max. (Output 2, 3)]@Triples : 50% L-FL max (aux) bal. Loads · Ripple and Noise 1% of Vout (Bandwidth : 20MHz)
Protection Circuit	<ul style="list-style-type: none"> · Over Current Protection Work Over 105% of Rating (Current Limited Output) (NOTE 1) · Over Voltage Protection Work at 115 - 140% of Rating
Electrically Isolated	<ul style="list-style-type: none"> · Isolation Input-Output, Input-Case, Output-Case / DC500V, 100MΩ · High Pot Input-Output, Input-Case, Output-Case / AC500V, 1Min.

ENVIRONMENTAL

· Operating Temperature Range -20°C ~ 71°C
· Option, See NOTE 2 -40°C ~ 85°C
· Operating Humidity (Non-Condensing) 20% ~ 90%RH
· Storage Temperature Range -40°C ~ 105°C
· Storage Humidity (Non-Condensing) 10% ~ 95%RH
· Cooling Method Convection
· EMI / RFI Six-Sided Continuous Shield
· MTBF (MIL-HDBK-217F) 5.0 x 10 ⁵ hrs
· Safety	<ul style="list-style-type: none"> Single Output UL (UL 60950) Single, Dual, Triple Output CE_LVD (EN 60950-1) through TÜV

NOTE 1. Long term continuous operation into a short circuit will compromise the reliability of the unit.

2. As a factory added option, the all model can be operated from -40°C to 85°C, the suffix 'M' should be added to the model number when ordering. ex) PTS15-48-522M

ORDERING INFORMATION

Input	Output1	Output2	Output3	Maximum Power	Ripple&Noise Max.	Efficiency Typ.	Model Number
10 - 36V	3.3V@4.00A			13.20W	75mVp-p	80%	PTS15-24-3R3
10 - 36V	5V@3.00A			15.00W	75mVp-p	85%	PTS15-24-5
10 - 36V	12V@1.25A			15.00W	120mVp-p	86%	PTS15-24-12
10 - 36V	15V@1.00A			15.00W	150mVp-p	84%	PTS15-24-15
10 - 36V	+5V@1.50A	-5V@1.50A		15.00W	50/50mVp-p	85%	PTD15-24-55
10 - 36V	+12V@0.625A	-12V@0.625A		15.00W	120/120mVp-p	87%	PTD15-24-1212
10 - 36V	+15V@0.50A	-15V@0.50A		15.00W	150/150mVp-p	87%	PTD15-24-1515
10 - 36V	+3.3V@2.00A	+12V@0.31A	-12V@0.31A	12.39W	50/120/120mVp-p	83%	PT15-24-322
10 - 36V	+5V@1.50A	+12V@0.31A	-12V@0.31A	15.00W	50/120/120mVp-p	84%	PT15-24-522
10 - 36V	+3.3V@2.00A	+15V@0.25A	-15V@0.25A	12.45W	50/150/150mVp-p	83%	PT15-24-3FF
10 - 36V	+5V@1.50A	+15V@0.25A	-15V@0.25A	15.00W	50/150/150mVp-p	84%	PT15-24-5FF
20 - 72V	3.3V@4.00A			13.20W	75mVp-p	80%	PTS15-48-3R3
20 - 72V	5V@3.00A			15.00W	75mVp-p	85%	PTS15-48-5
20 - 72V	12V@1.25A			15.00W	120mVp-p	87%	PTS15-48-12
20 - 72V	15V@1.00A			15.00W	150mVp-p	85%	PTS15-48-15
20 - 72V	+5V@1.50A	-5V@1.50A		15.00W	50/50mVp-p	85%	PTD15-48-55
20 - 72V	+12V@0.625A	-12V@0.625A		15.00W	120/120mVp-p	86%	PTD15-48-1212
20 - 72V	+15V@0.50A	-15V@0.50A		15.00W	150/150mVp-p	87%	PTD15-48-1515
20 - 72V	+3.3V@2.00A	+12V@0.31A	-12V@0.31A	12.39W	50/120/120mVp-p	83%	PT15-48-322
20 - 72V	+5V@1.50A	+12V@0.31A	-12V@0.31A	15.00W	50/120/120mVp-p	84%	PT15-48-522
20 - 72V	+3.3V@2.00A	+15V@0.25A	-15V@0.25A	12.45W	50/150/150mVp-p	83%	PT15-48-3FF
20 - 72V	+5V@1.50A	+15V@0.25A	-15V@0.25A	15.00W	50/150/150mVp-p	84%	PT15-48-5FF

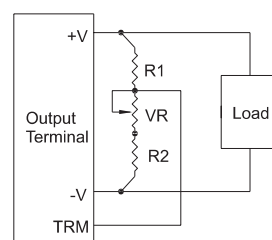
PIN ASSIGNMENTS

Single Output	Dual Output	Triple Output
1. +Vin	1. +Vin	1. +Vin
2. -Vin	2. -Vin	2. -Vin
3. No Pin	3. No Pin	3. No Pin
4. CNT (Enable)	4. CNT (Enable)	4. CNT (Enable)
5. No Connect	5. Output1	5. Output2
6. +Vout	6. COM	6. Output1
7. -Vout	7. Output2	7. GND
8. TRM	8. TRM	8. Output3

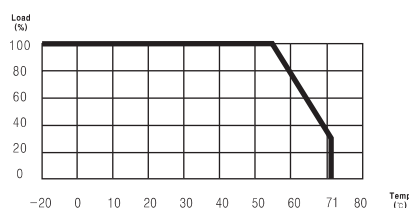
EXTERNAL PARTS

Model	Output Voltage	VR	R1	R2
PTS 15	5V	1kΩ	1.0kΩ	680Ω
	12V	1kΩ	3.9kΩ	680Ω
	15V	1kΩ	5.6kΩ	680Ω
PTD 15	±5V (10V)	1kΩ	3.3kΩ	680Ω
	±12V (24V)	5kΩ	9.0kΩ	820Ω
	±15V (30V)	5kΩ	20.0kΩ	910Ω

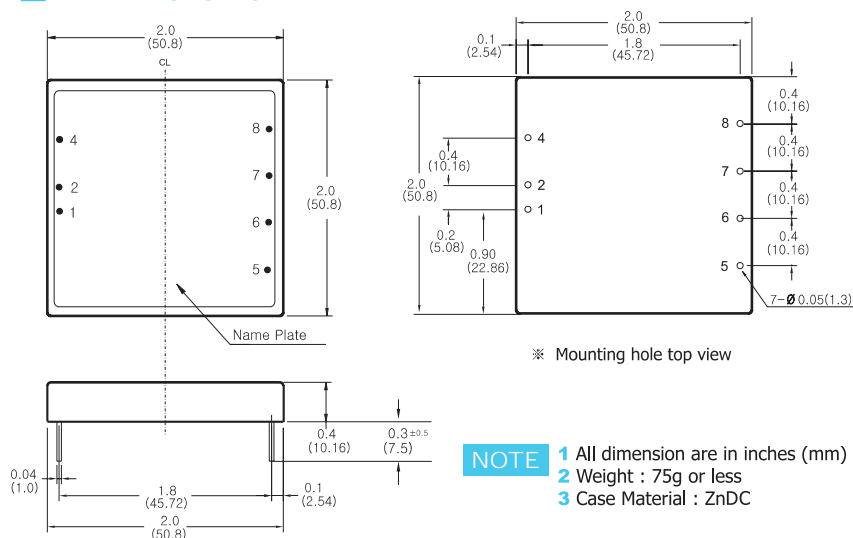
TRIM METHOD



DERATING CURVE



DIMENSIONS



NOTE 1 All dimension are in inches (mm)
 2 Weight : 75g or less
 3 Case Material : ZnDC