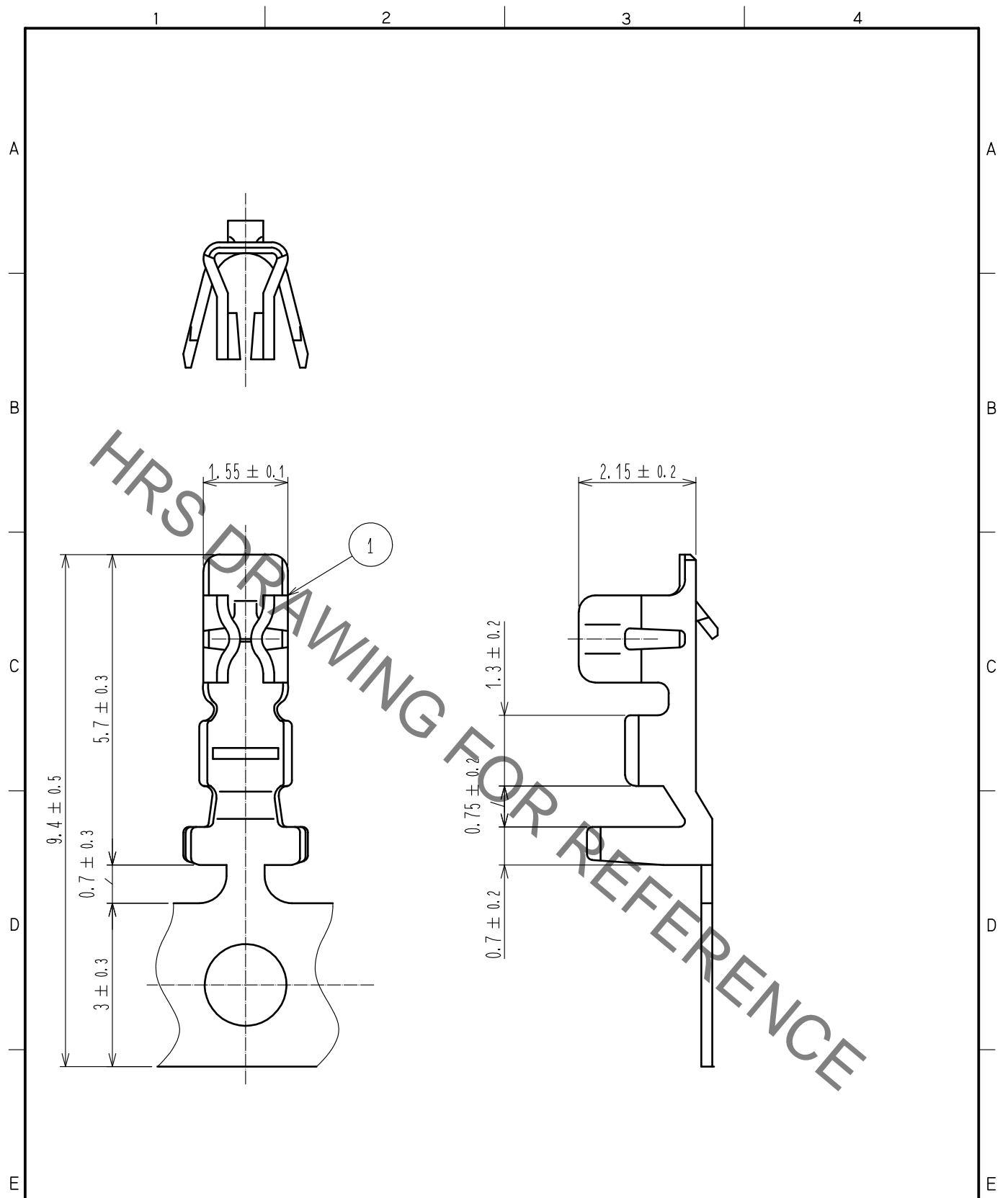


Sep.1.2020 Copyright 2020 HIROSE ELECTRIC CO., LTD. All Rights Reserved.  
 In case of consideration for using Automotive equipment / device which demand high reliability, kindly contact our sales window correspondents.



Note 1. Please refer to ETAD-H0958-00 and ETAD-H0988-00 when handle the connector.



1	Phosphor Bronze	Tin Plating : 1 $\mu$ m min						
NO.	MATERIAL	FINISH .	REMARKS	NO.	MATERIAL	FINISH .	REMARKS	
UNITS mm		SCALE 10 : 1	COUNT 3	DESCRIPTION OF REVISIONS DIS-H-00006261		DESIGNED SN. MIWA	CHECKED SZ. ONO	DATE 20200818
HIROSE ELECTRIC CO., LTD.		APPROVED : KJ. KATAYOSE	20050105	DRAWING NO.		EDC4-018921-00		
		CHECKED : TY. OMA	20050105	PART NO.		DF3-2428SCF		
		DESIGNED : IO. DENPOUYA	20050105	CODE NO.		CL543-0001-2-00		
		DRAWN : IO. DENPOUYA	20050105			1/1		

# Mouser Electronics

Authorized Distributor

Click to View Pricing, Inventory, Delivery & Lifecycle Information:

[Hirose Electric:](#)

[DF3-2428SCF](#)