

LCD Module Specification

Model No.: LT070A-01AT

7", 800 (RGB) x 480 PIXELS TFT LCD WITH TOUCH PANEL

Table of Contents

1. BASIC SPECIFICATIONS	2
2. ABSOLUTE MAXIMUM RATINGS	4
3. ELECTRICAL CHARACTERISTICS	5
4. TOUCH PANEL CHARACTERISTICS	10
5. ELECTRO-OPTICAL CHARACTERISTICS	11
6. DIMENSIONAL OUTLINE	12
7. PRECAUTIONS FOR USE OF LCD MODULE	13

RECORD OF REVISION

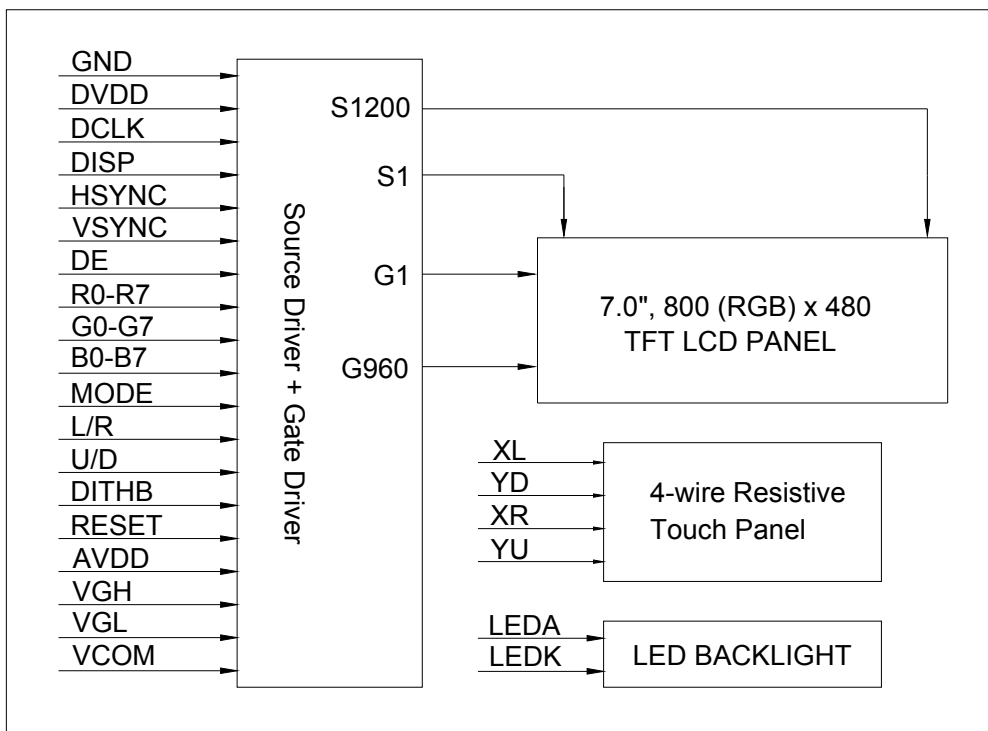
Rev.	Date	Page	Item	Description
0.1	2017/03/28	-	-	New release
0.2	2019/05/22	5	3.1	Change DC characteristics

1. BASIC SPECIFICATIONS

1.1 Features

Item	Specifications	Unit
Screen Size	7.0 (Diagonal)	inch
Resolution	800 (RGB) x 480	dot
Display Mode	Normally white, transmissive TFT	-
Color Configuration	RGB-stripe	-
Color Depth	24-bit (RGB=888), 16.7M colors	-
Viewing Direction	6:00 o'clock (Gray scale inversion direction)	-
Outline Dimension (WxHxT)	164.9 x 100.0 x 6.6 (FPC length=80.15)	mm
Viewing Area (WxH)	157.0 x 89.6	mm
Active Area (WxH)	154.08 x 85.92	mm
Dot Pitch (WxH)	0.0642 x 0.179	mm
Touch Panel	4-wire resistive	-
Weight	175	g
Interface Mode	Digital 24-bit parallel RGB	-
Power Supply (DVDD)	3.3	V

1.2 Block Diagram



1.3 Terminals Functions

Pin No.	Symbol	I/O	Function
1	LEDA	P	LED backlight anode
2	LEDA	P	LED backlight anode
3	LEDK	P	LED backlight cathode
4	LEDK	P	LED backlight cathode
5	GND	P	Power ground
6	VCOM	I	Common voltage
7	DVDD	P	Power supply for digital circuit
8	MODE	I	DE/SYNC mode selection. Normally pull high. MODE=1: DE mode. VSYNC and HSYNC must be "H". MODE=0: SYNC mode. DE must be "L".
9	DE	I	Data enable signal. Active "H".
10	VSYNC	I	Vertical sync signal. Negative polarity.
11	HSYNC	I	Horizontal sync signal. Negative polarity.
12	B7	I	Blue data (MSB)
13	B6	I	Blue data
14	B5	I	Blue data
15	B4	I	Blue data
16	B3	I	Blue data
17	B2	I	Blue data
18	B1	I	Blue data
19	B0	I	Blue data (LSB)
20	G7	I	Green data (MSB)
21	G6	I	Green data
22	G5	I	Green data
23	G4	I	Green data
24	G3	I	Green data
25	G2	I	Green data
26	G1	I	Green data
27	G0	I	Green data (LSB)
28	R7	I	Red data (MSB)
29	R6	I	Red data
30	R5	I	Red data
31	R4	I	Red data
32	R3	I	Red data
33	R2	I	Red data
34	R1	I	Red data

Pin No.	Symbol	I/O	Function
35	R0	I	Red data (LSB)
36	GND	P	Power ground
37	DCLK	I	Data clock. Latch data at falling edge.
38	GND	P	Power ground
39	L/R	I	Left/Right scanning direction selection L/R=1: Scanning from left to right L/R=0: Scanning from right to left
40	U/D	I	Up/Down scanning direction selection U/D=1: Scanning from down to up U/D=0: Scanning from up to down
41	VGH	P	Gate on voltage
42	VGL	P	Gate off voltage
43	AVDD	P	Power supply for analog circuit
44	RESET	I	Global reset pin. Normally pull high. Active "L" to enter reset state. Suggest connecting with an RC reset circuit for stability.
45	NC	-	No connection
46	VCOM	I	Common voltage
47	DITHB	I	Dithering function. Normally pull high. DITHB=1: Disable internal dithering function DITHB=0: Enable internal dithering function
48	GND	P	Power ground
49	NC	-	No Connection
50	NC	-	No Connection

I=Input; O=Output; P=Power

2. ABSOLUTE MAXIMUM RATINGS

Item	Symbol	Min.	Max.	Unit
Supply Voltage (Digital)	DVDD	-0.3	5.0	V
Supply Voltage (Analog)	AVDD	6.5	13.5	V
Supply Voltage (Gate on voltage)	VGH	-0.3	40.0	V
Supply Voltage (Gate off voltage)	VGL	-20.0	0.3	V
Supply Voltage (VGH to VGL)	VGH - VGL	-	40.0	V
Input Voltage	VI	-0.3	DVDD + 0.3	V
LED Forward Current (Each LED)	IF	-	25	mA
Operating Temperature	Topr	-20	+70	°C
Storage Temperature	Tstg	-30	+80	°C

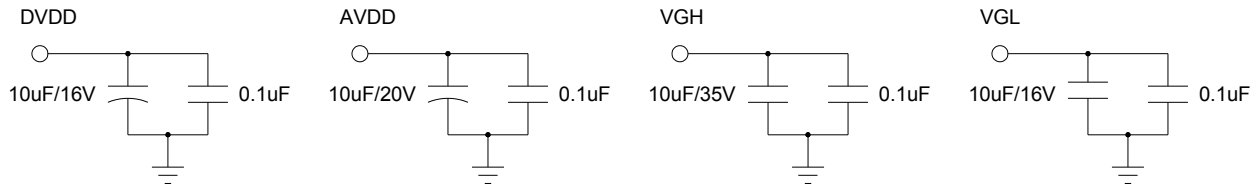
Cautions: Stresses above those listed as 'absolute maximum ratings' may cause permanent damage to the device. This is a stress rating only and functional operation of the device under these conditions is not implied. Exposure to maximum rating conditions for extended periods may affect device reliability.

3. ELECTRICAL CHARACTERISTICS

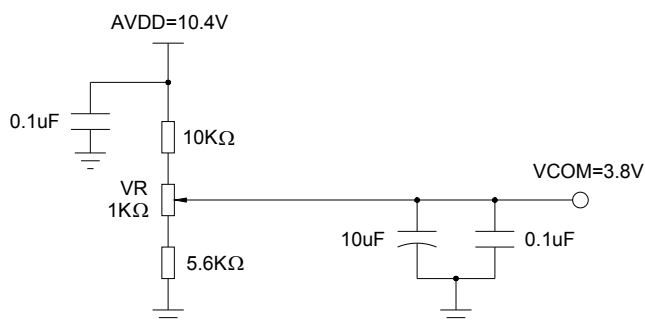
3.1 DC Characteristics for LCD (Ta=25°C)

Item	Symbol	Condition	Min.	Typ.	Max.	Unit
Supply Voltage	DVDD	Note 1	3.0	3.3	3.6	V
	AVDD	Note 1	10.2	10.4	10.6	V
	VGH	Note 1	15.3	16.0	16.7	V
	VGL	Note 1	-7.7	-7.0	-6.3	V
Input Signal Voltage	VCOM	Note 2	3.6	3.8	4.0	V
Input High Voltage	VIH		0.7DVDD	-	DVDD	V
Input Low Voltage	VIL		0	-	0.3DVDD	V
Supply Current	IDD	DVDD = 3.3V	-	10.0	20.0	mA
	IDDA	AVDD = 10.4V	-	8.0	20.0	mA
	IGH	VGH = 16.0V	-	0.2	1.0	mA
	IGL	VGL = -7.0V	-	0.2	1.0	mA

Note 1: It is suggested that users follow the circuits below to design DVDD, AVDD, VGH and VGL.



Note 2: Reference circuit for VCOM



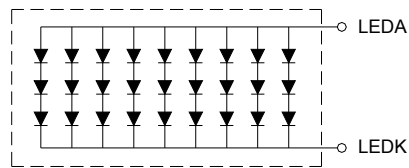
The typical VCOM is only a reference value. It must be optimized according to each TFT. Please use a VR and refer to the application circuit at left.

3.2 LED Backlight Characteristics (Ta=25°C)

Item	Symbol	Condition	Min.	Typ.	Max.	Unit
LED Forward Voltage	VLED	Note 1	8.4	8.7	9.0	V
LED Forward Current	ILED		135	180	198	mA
LED Life Time	-	Note 2	20,000	-	-	Hr

Note 1: The LED forward voltage is defined by the number of LED at Ta=25°C and ILED=180mA.

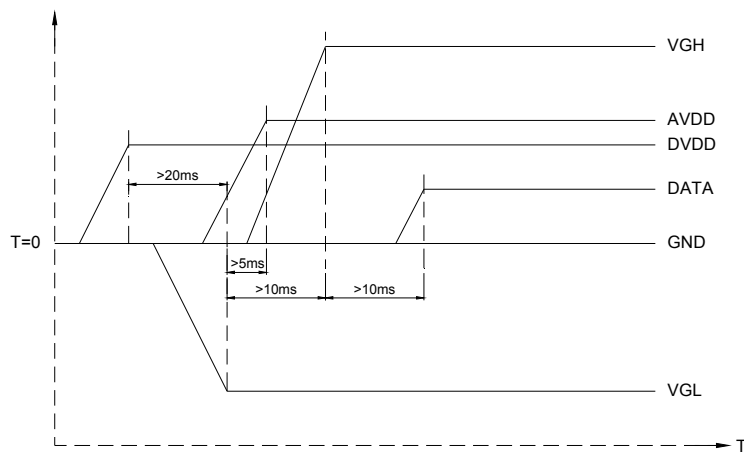
Note 2: The LED life time is defined as the module brightness decreases to 50% initial brightness at Ta=25°C and ILED=180mA. The LED life time could be decreased if operating ILED is larger than 180mA.



LED Backlight: 3 x 9 = 27 LEDs

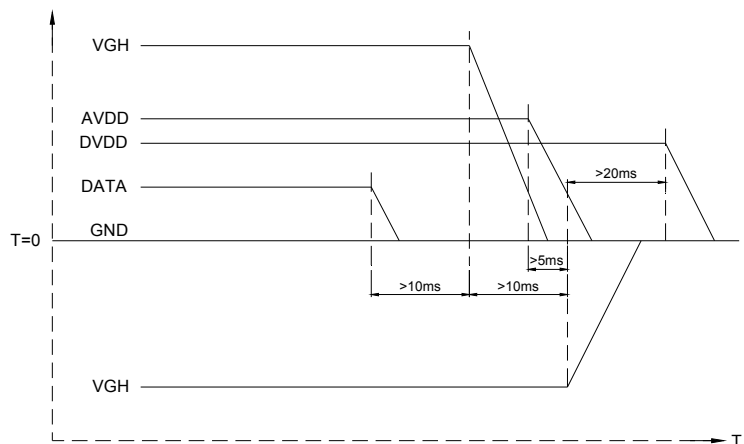
3.3 Power Sequence

3.3.1 Power on Sequence



Power on sequence: DVDD→VGL→AVDD→VGH→Data

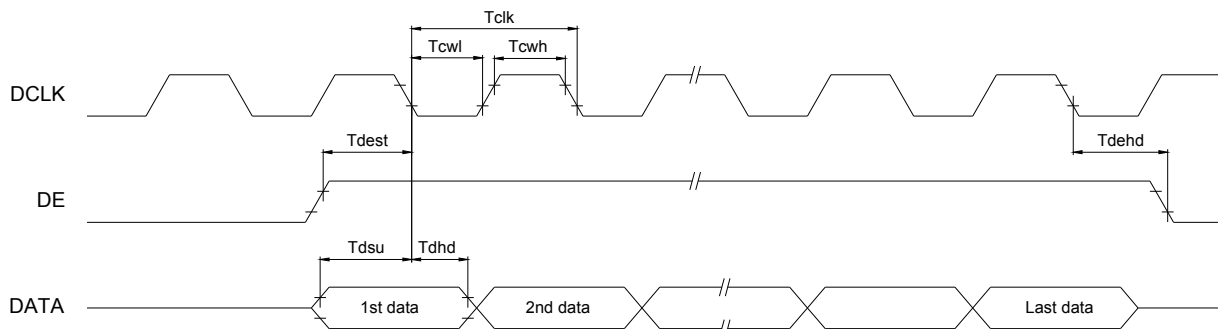
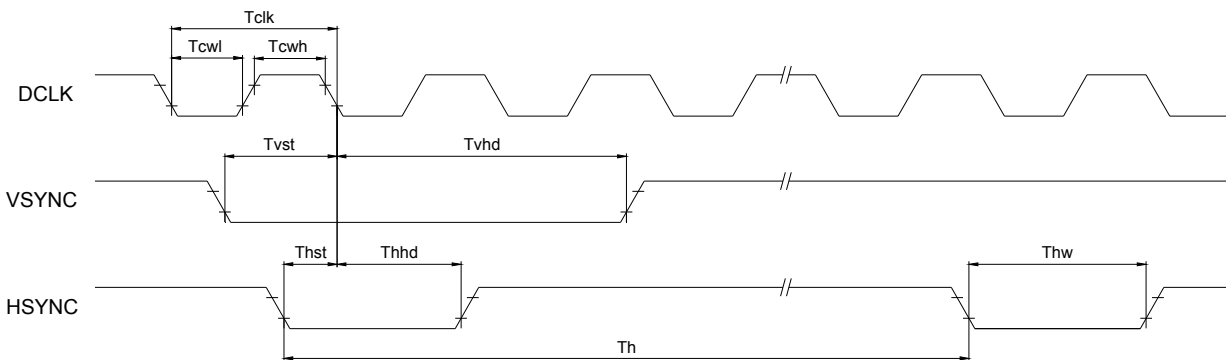
3.3.2 Power off Sequence



Power off sequence: Data→VGH→AVDD→VGL→DVDD

3.4 AC Characteristics (DVDD=3.3V, Ta=25°C)

Item	Symbol	Min.	Typ.	Max.	Unit
DCLK Pulse Duty	Tcwh	40	50	60	%
DCLK Period	Tclk	20	-	-	ns
VSYNC Setup Time	Tvst	8	-	-	ns
VSYNC Hold Time	Tvhd	8	-	-	ns
HSYNC Setup Time	Thst	8	-	-	ns
HSYNC Hold Time	Thhd	8	-	-	ns
Data Setup Time	Tdsu	8	-	-	ns
Data Hold Time	Tdhd	8	-	-	ns
DE Setup Time	Tdest	8	-	-	ns
DE Hold Time	Tdehd	8	-	-	ns

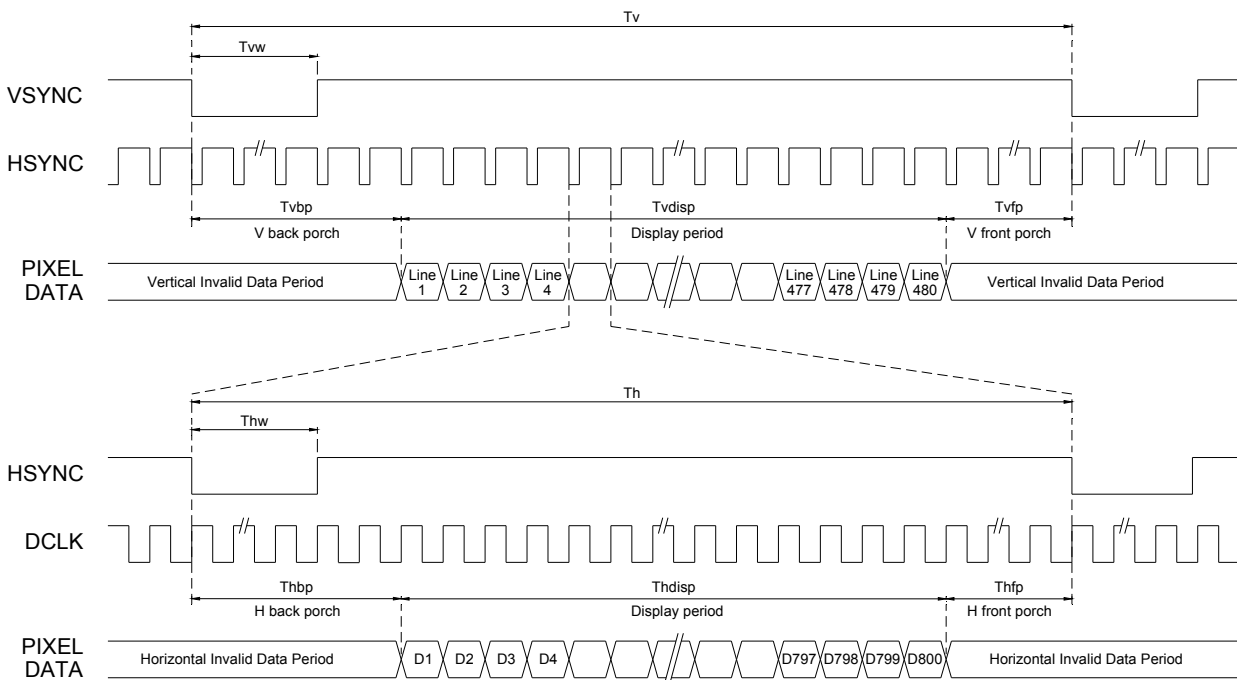


3.5 Input Signals Timing Characteristics

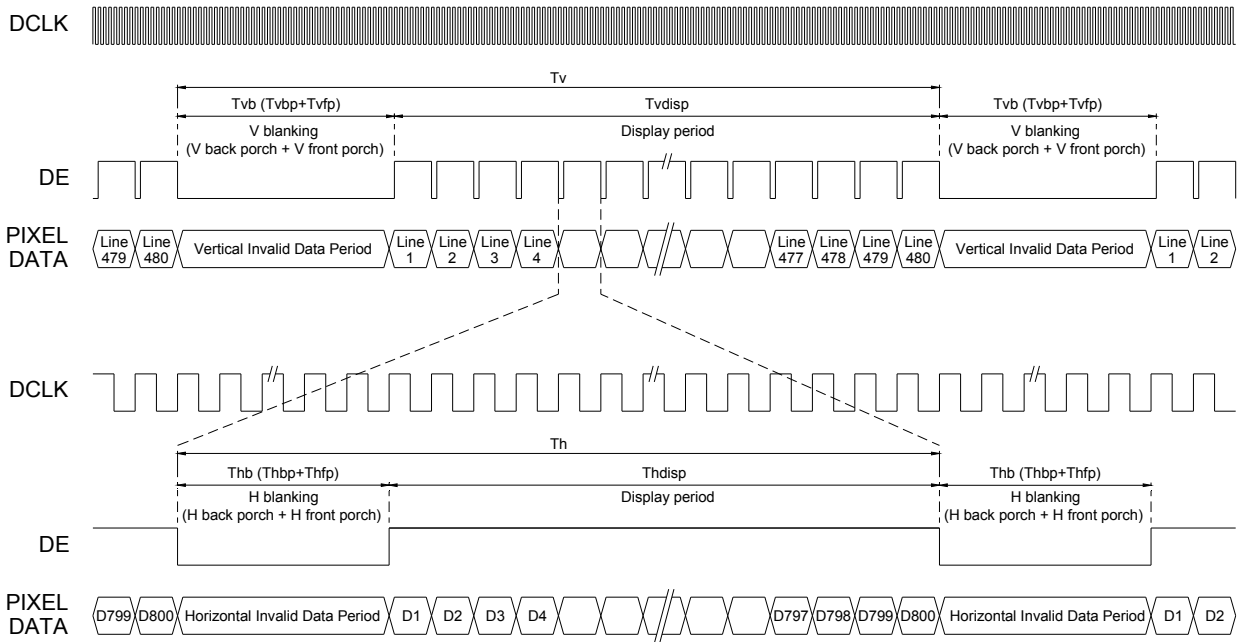
Item	Symbol	Min.	Typ.	Max.	Unit
DCLK Frequency	Fclk	26.4	33.3	46.8	MHz
HSYNC Period	Th	862	1056	1200	DCLK
HSYNC Display Period	Thdisp	-	800	-	DCLK
HSYNC Back Porch	Thbp	46	46	46	DCLK
HSYNC Front Porch	Thfp	16	210	354	DCLK
HSYNC Pulse Width	Thw	1	-	40	DCLK
DEH Blanking (for DE mode only)	Thb=Thbp+Thfp	62	256	400	DCLK
VSYNC Period	Tv	510	525	650	Th
VSYNC Display Period	Tvdisp	-	480	-	Th
VSYNC Back Porch	Tvbp	23	23	23	Th
VSYNC Front Porch	Tvfp	7	22	147	Th
VSYNC Pulse Width	Tvw	1	-	20	Th
DEV Blanking (for DE mode only)	Tvb=Tvbp+Tvfp	30	45	170	Th

Note: It is necessary to keep $Tvbp=23$ and $Thbp=46$ in SYNC mode. It's unnecessary to keep it in DE mode.

3.6 SYNC Mode Timing Diagram



3.7 DE Mode Timing Diagram

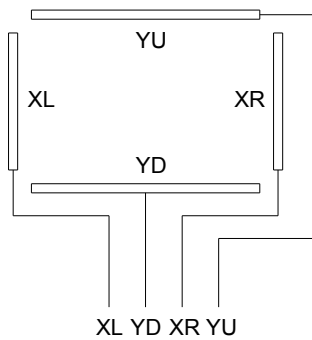


4. TOUCH PANEL CHARACTERISTICS

4.1 Optical, Mechanical & Reliability Characteristics (Ta=25°C)

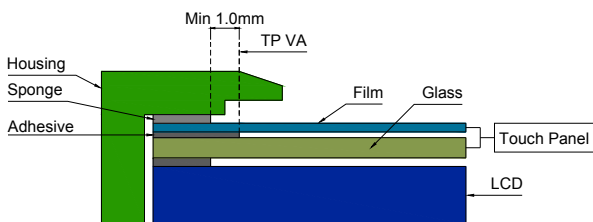
Item	Min.	Typ.	Max.	Unit	Remark
Linearity	-1.5	-	1.5	%	X and Y directions
Circuit Resistance	360	-	1070	Ω	X direction
	110	-	340	Ω	Y direction
Insulation Resistance	20	-	-	MΩ	DC 25V
Operating Voltage	2.7	-	7	V	DC
Chatting Time	-	-	10	ms	
Transmittance	78	-	-	%	
Activation Force	-	-	100	g	
Surface Hardness	3	-	-	H	
Knocking Durability	1,000,000	-	-	time	
Writing Durability	100,000	-	-	word	
Surface Treatment	Anti-glare				

4.2 Touch Panel Circuit Diagram

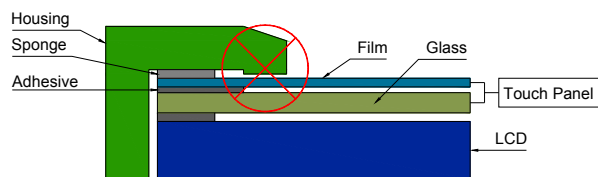


4.3 Housing Design Guide

- 1) Leave enough gaps (min. 0.5mm compressed) between housing and TP to avoid wrong operating.
- 2) Use buffer material (gasket) between housing and TP to avoid damaging or wrong operating.
- 3) Buffer material should not overlap and press on the inside of TP viewing area.



CORRECT



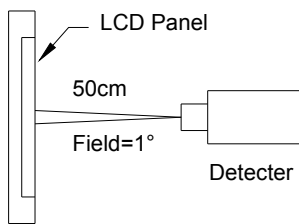
WRONG

5. ELECTRO-OPTICAL CHARACTERISTICS (Ta=25°C)

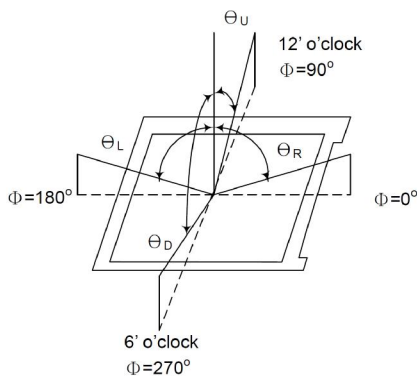
Item	Symbol	Condition	Min.	Typ.	Max.	Unit	Note	
Brightness of White	Bp	$\Theta=0^\circ$ $\Phi=0^\circ$	-	240	-	cd/m ²	1	
Uniformity	ΔBp	ILED=180mA	70%	-	-	-	2	
Viewing Angle	Hor	$Cr \geq 10$	ΘR	-	70	-	deg.	3
			ΘL	-	70	-		
	Ver		ΘU	-	50	-		
			ΘD	-	70	-		
Contrast Ratio	Cr	$\Theta=0^\circ$ $\Phi=0^\circ$	400	500	-	-	4	
Response Time	Tr		-	10	20	ms	5	
	Tf		-	15	30			
Color Chromaticity	Wx		0.26	0.31	0.36	-	-	1, 6
	Wy	0.28	0.33	0.38	-			

Note 1: The optical characteristics should be measured by BM-7 in dark room after 15 minutes operation. The optical properties are measured at the center point of the LCD.

Note 2: $\Delta Bp = Bp(\text{Min.}) / Bp(\text{Max.}) \times 100 (\%)$
 Bp(Max.)=Maximum brightness in 9
 Bp(Min.)=Minimum brightness in 9



Note 3: Definition of Viewing Angle

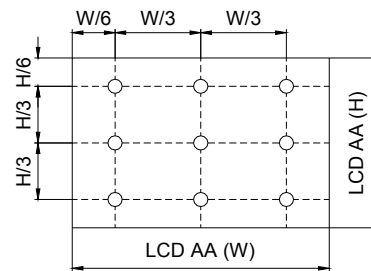


Note 4: Definition of Contrast Ratio

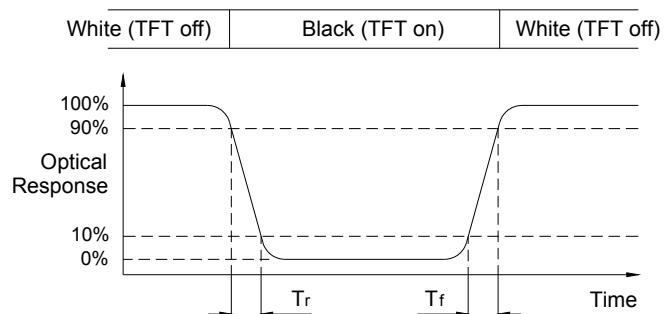
$$\text{Contrast Ratio (Cr)} = \frac{\text{Brightness measured when LCD on "White" State}}{\text{Brightness measured when LCD on "Black" state}}$$

Note 6: Definition of color chromaticity (CIE1931)

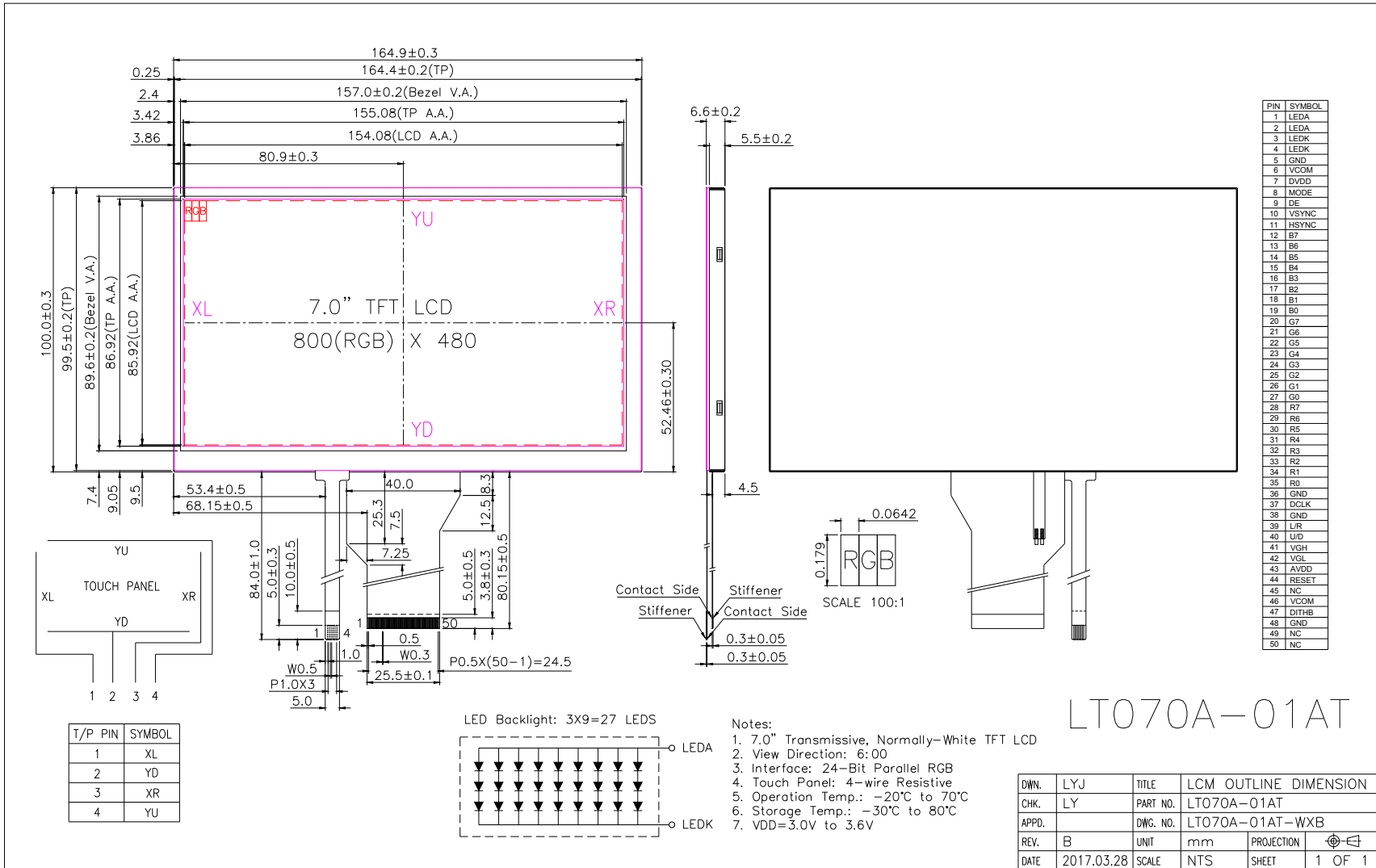
Color coordinates is measured at the center point of the LCD with ILED=180mA and the LCD displays white.



Note 5: Definition of Response Time



6. DIMENSIONAL OUTLINE



7. PRECAUTIONS FOR USE OF LCD MODULE

7.1 Handling Precautions

- 1) The display panel is made of glass. Do not subject it to a mechanical shock by dropping it from a high place, etc.
- 2) If the display panel is damaged and the liquid crystal substance inside it leaks out, be sure not to get any in your mouth. If the substance comes into contact with your skin or clothes, promptly wash it off using soap and water.
- 3) Do not apply excessive force on the surface of display or the adjoining areas of LCD module since this may cause the color tone to vary.
- 4) The polarizer covering the display surface of the LCD module is soft and easily scratched. Handle this polarizer carefully.
- 5) If the display surface of LCD module becomes contaminated, blow on the surface and gently wipe it with a soft dry cloth. If it is heavily contaminated, moisten cloth with one of the following solvents.
 - Isopropyl alcohol
 - Ethyl alcoholSolvents other than those mentioned above may damage the polarizer. Especially, do not use the following:
 - Water
 - Ketone
 - Aromatic Solvents
- 6) When mounting the LCD module make sure that it is free of twisting, warping, and distortion. Distortion has great influence upon display quality. Also keep the stiffness enough regarding the outer case.
- 7) Be sure to avoid any solvent such as flux for soldering never stick to Heat-Seal. Such solvent on Heat-Seal may cause connection problem of heat-Seal and TAB.
- 8) Do not forcibly pull or bend the TAB I/O terminals.
- 9) Do not attempt to disassemble or process the LCD module.
- 10) NC terminal should be open. Do not connect anything.
- 11) If the logic circuit power is off, do not apply the input signals.
- 12) To prevent destruction of the elements by static electricity, be careful to maintain an optimum work environment.
 - Be sure to ground the body when handling the LCD module.
 - Tools required for assembly, such as soldering irons, must be properly grounded.
 - To reduce the amount of static electricity generated, do not conduct assembly and other work under dry conditions.
 - The LCD module is coated with a film to protect the display surface. Exercise care when peeling off this protective film since static electricity may be generated.

7.2 Storage Precautions

- 1) When storing the LCD module, avoid exposure to direct sunlight or to the light of fluorescent lamps and high temperature/high humidity. Whenever possible, the LCD module should be stored in the same conditions in which they were shipped from our company.
- 2) Exercise care to minimize corrosion of the electrodes. Corrosion of the electrodes is accelerated by water droplets or a current flow in a high humidity environment.

7.3 Design Precautions

- 1) The absolute maximum ratings represent the rated value beyond which LCD module can not exceed. When the LCD modules are used in excess of this rated value, their operating characteristics may be adversely affected.

- 2) To prevent the occurrence of erroneous operation caused by noise, attention must be paid to satisfy VIL, VIH specification values, including taking the precaution of using signal cables that are short.
- 3) The liquid crystal display exhibits temperature dependency characteristics. Since recognition of the display becomes difficult when the LCD is used outside its designated operating temperature range, be sure to use the LCD within this range. Also, keep in mind that the LCD driving voltage levels necessary for clear displays will vary according to temperature.
- 4) Sufficiently notice the mutual noise interference occurred by peripheral devices.
- 5) To cope with EMI, take measures basically on outputting side.
- 6) If DC is impressed on the liquid crystal display panel, display definition is rapidly deteriorated by the electrochemical reaction that occurs inside the liquid crystal display panel. To eliminate the opportunity of DC impressing, be sure to maintain the AC characteristics of the input signals sent to the LCD Module.

7.4 Others

- 1) Liquid crystals solidify under low temperatures (below the storage temperature range) leading to defective orientation or the generation of air bubbles (black or white). Air bubbles may also be generated if the LCD module is subjected to a strong shock at a low temperature.
- 2) If the LCD modules have been operating for a long time showing the same display patterns, the display patterns may remain on the screen as ghost images and a slight contrast irregularity may also appear. A normal operating status can be regained by suspending use for some time. It should be noted that this phenomenon does not adversely affect performance reliability.
- 3) To minimize the performance degradation of the LCD modules resulting from destruction caused by static electricity, etc., exercise care to avoid touching the following sections when handling the module:
 - Terminal electrode sections.
 - Part of pattern wiring on TAB, etc.