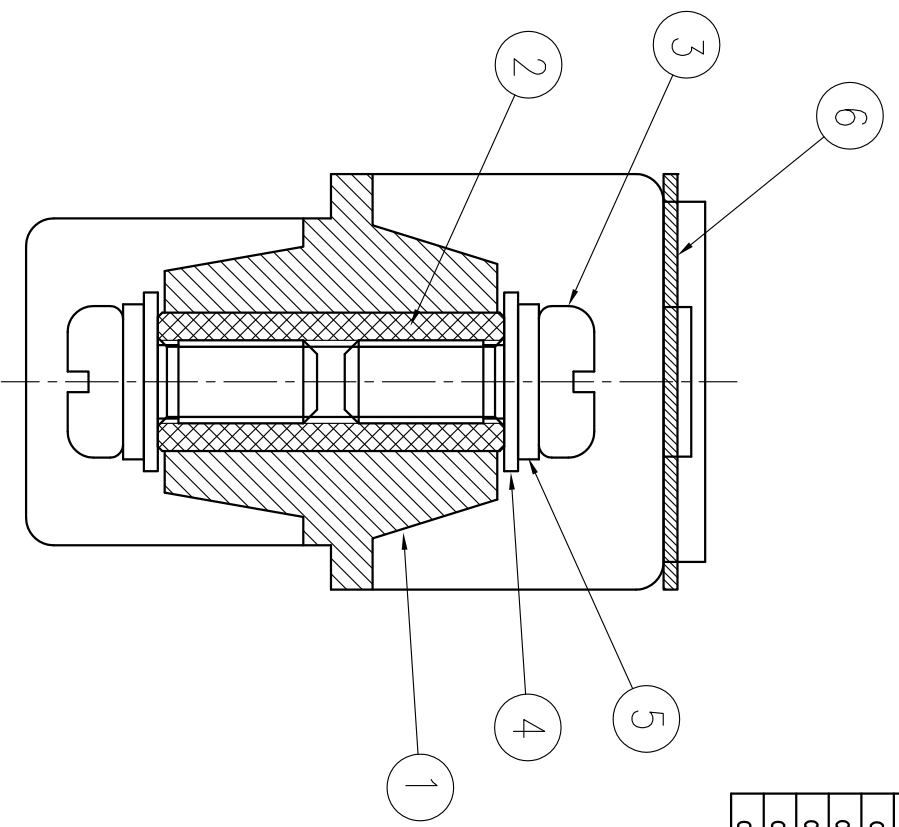
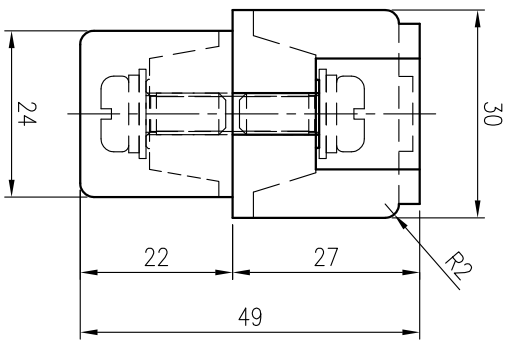
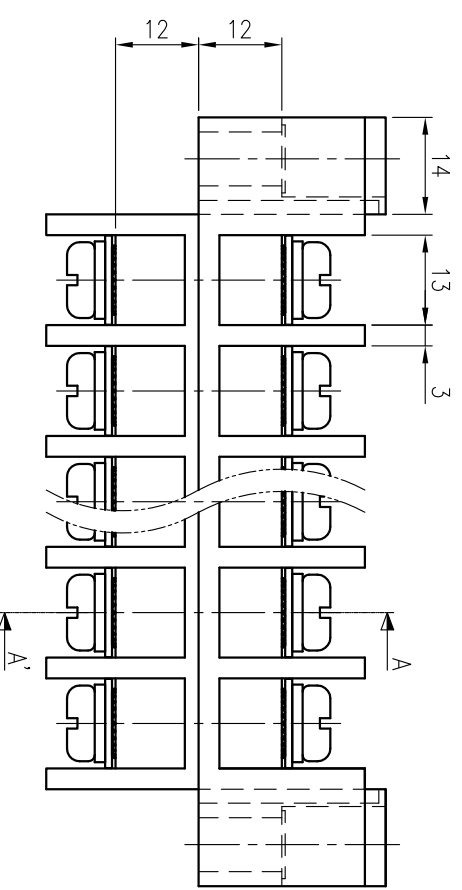
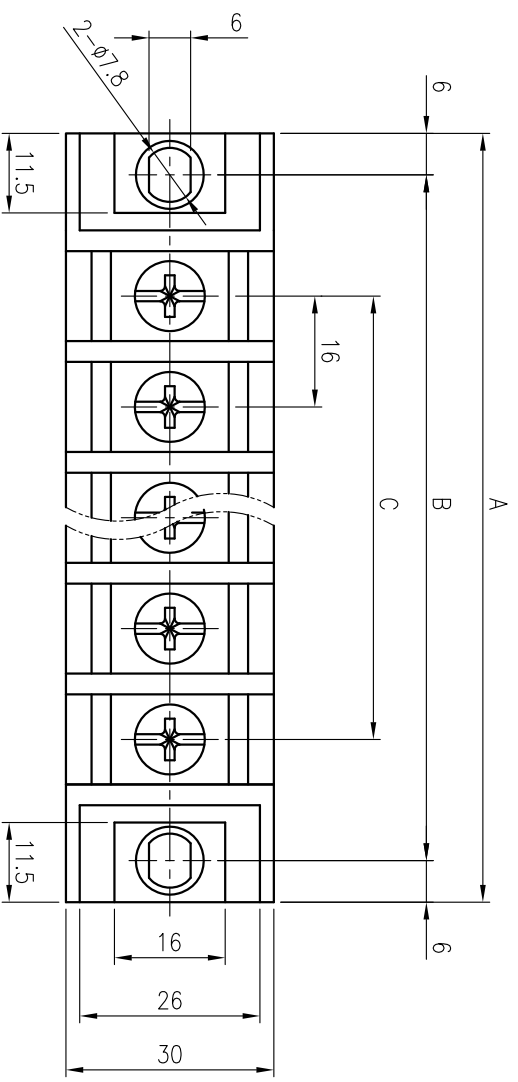


P	1	2	3	4	5	6	7	8	9	10	11	12
A±0.8	-	63.0	79.0	95.0	111.0	127.0	143.0	159.0	175.0	191.0	207.0	223.0
B±0.8	-	51.0	67.0	83.0	99.0	115.0	131.0	147.0	163.0	179.0	195.0	211.0
C±0.5	-	16.0	32.0	48.0	64.0	80.0	96.0	112.0	128.0	144.0	160.0	176.0

COMMERCIAL TOLERANCE	
0.5 to 3	± 0.12
over 3 to 6	± 0.16
over 6 to 10	± 0.18
over 10 to 18	± 0.22
over 18 to 30	± 0.25
over 30 to 50	± 0.3
over 50 to 80	± 0.35



SPECIFICATION

1. 정격 : 600V 60A
2. 절연 저항 : DC 500V 1000MΩ 이상
3. 내전압 : AC2000V/min
4. 사용온도범위 : -40°C ~ 85°C
5. 조임 Torque 권고치 : 12kgf·cm 이내

*본 제품은 유해 물질 관리 기준치를 초과하지 않는 제품임 (RoHS Compliance)

DRAWN	CHECKED	CHECKED	APPROVED	THIRD ANGLE PROJECTION		
W.R.KIM				DATE.	UNIT	SCALE
09.03.23				2009.03.23	MM	1:1

TITLE

BR - 1600YDC



DWG No.

BR - 237

No.	PART No.	PART NAME	MATERIAL	Q'TY	REMARKS	FINISH
⑥	COV-1600YDC	COVER	PVC	1	LS100	NAT
⑤	BOLT	SPRING WASHER	HSWR62	P*2	ø11.2*ø5.6*11.5	Ni
④	BOLT	PLATE WASHER	SPCC	P*2	ø11.9*ø5.6*11.0	Ni
③	BOLT	SCREW	SWCH10A	P*2	M6*14	Ni
②	DAN-1600YD	INSERT	BRASS	P	C3604BD	
①	SAC-1600YDC	FRAME	PBT	1	UL94V-0 (G30)	BK