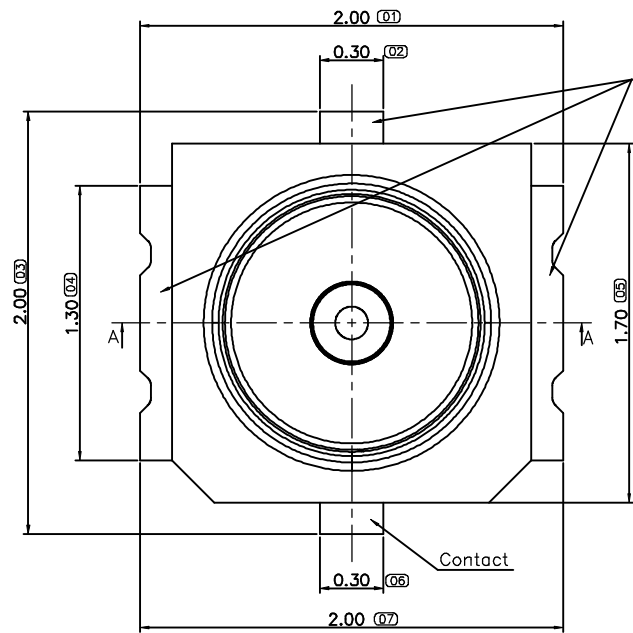
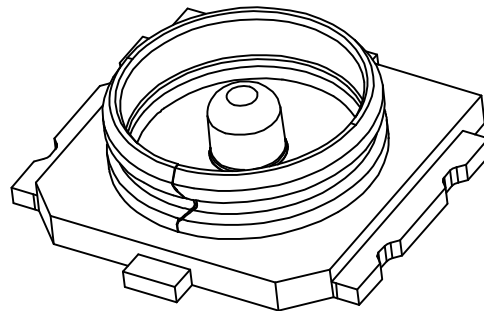


A3

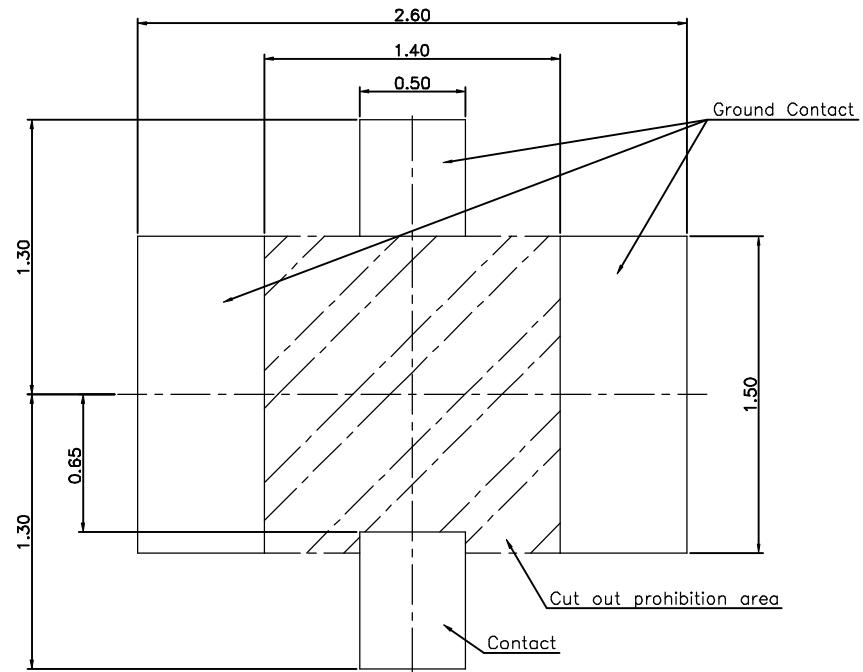
REV	ECN NO	DESCRIPTION	DATE	APPD
X1	ECN1509007	INITIAL EDITION	2015.09.07	Bill Zheng



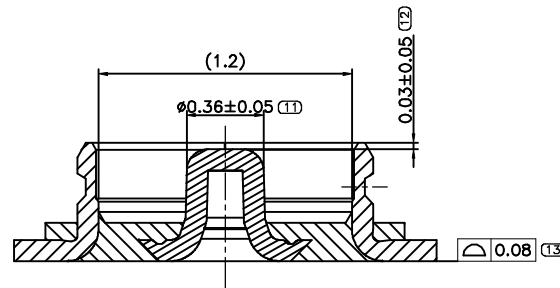
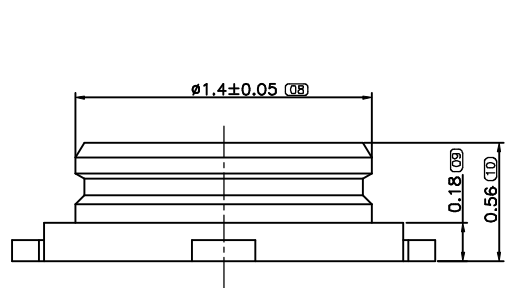
Ground Contact



Contact



Recommended PCB Layout  
(General Tolerance is ±0.05)



SECTION: A-A

NOTE:

- MATERIAL:
  - HOUSING: THERMOPLASTIC, COLOR: BLACK, UL 94V-0;
  - CONTACT: COPPER ALLOY, T=0.10mm;
  - SHELL: COPPER ALLOY, T=0.10mm.
- FINISH:
  - CONTACT: PLATING Au ON CONTACT AND SOLDERING AREA, NICKEL UNDERPLATING OVER ALL;
  - SHELL: PLATING Au ON CONTACT AND SOLDERING AREA, NICKEL UNDERPLATING OVER ALL;
- THE INCOMING MATERIAL, MANUFACTURING PROCESS AND THE SHIPMENT MUST ACCORD WITH THE REQUIREMENT OF FAF JH-GP-213 ENVIRONMENT MANAGEMENT MATERIAL FORBIDDEN USED PROCEDURE.

EXTEND USE		TITLE			
RF 1.0H REC Connector		7.032A0 Connector Customer Drawing		DWG NO C-7.032A0	
GENERAL TOLERANCE		MATERIAL		APPD	
DIMENSION		QTY		P/N:	
FINISHED		DRN		SHEET	
				SCALE	
				REV	

UNIT: mm

MATERIAL: Nike Xiang 2015.09.07

QTY: CHD Bill Zheng 2015.09.07

FINISHED: DRN Tony Tai 2015.09.07

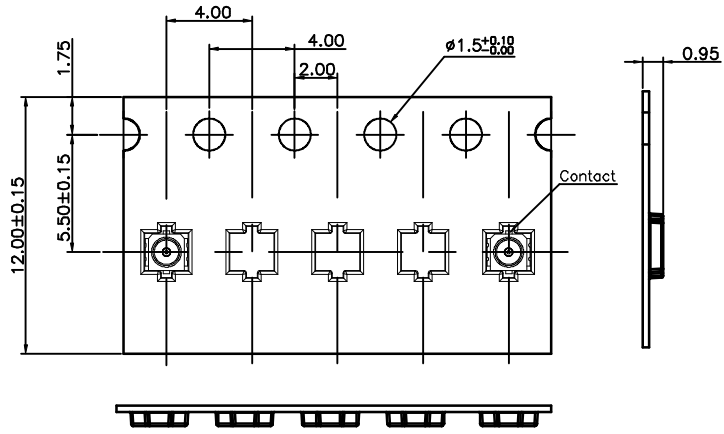
P/N: 7.032A0-000-1R0

SHEET: 1/2

SCALE: 1:1

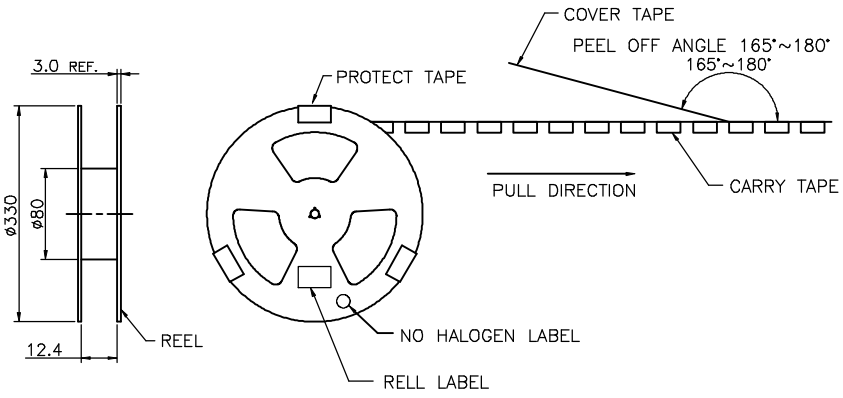
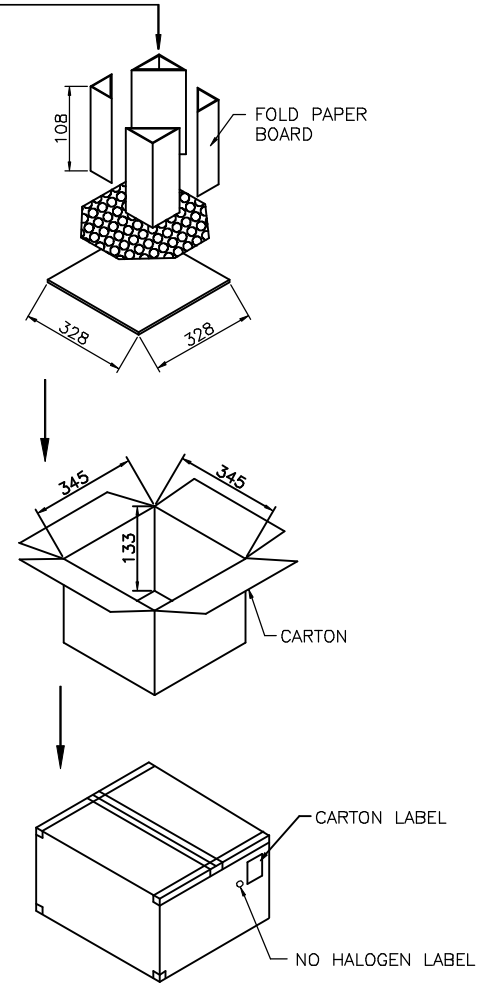
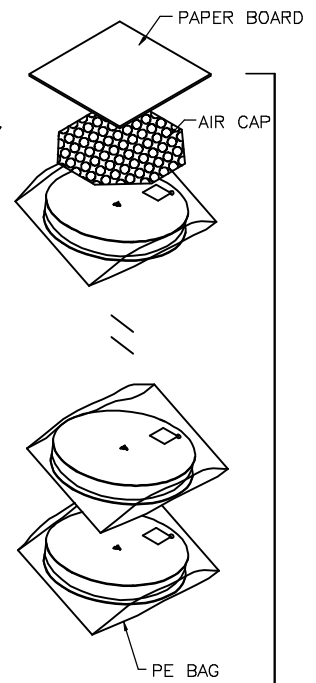
REV: X1

REV	ECN NO	DESCRIPTION	DATE	APPD
		SEE SHEET 1/2		



无卤  
No  
halogen

NO HALOGEN LABEL



INFORMATIONS OF THE PACKING

TITLE	P/N	Q'TY/REEL	Q'TY/CARTON
7.032A0 CONNECTOR	7.032A0-000-1R0	10000PCS	40000PCS



REEL LABEL



CARTON LABEL

EXTEND USE		TITLE	
RF 1.0H REC Connector	UNIT mm	7.032A0 Connector Customer Packing	
GENERAL TOLERANCE	MATERIAL	APPD Nike Xiang 2015.09.07	
DIMENSION	ANGLES	QTY CHD Bill Zheng 2015.09.07	DWG NO C-7.032A0-P
. ±0.30	. ±3°	FINISHED DRN Tony Tai 2015.09.07	P/N: 7.032A0-000-1R0
.0 ±0.25	.0 ±2°		SHEET SCALE REV 2/2 1:1 X1
.00 ±0.20	.00 ±1°		
.000 ±0.10			