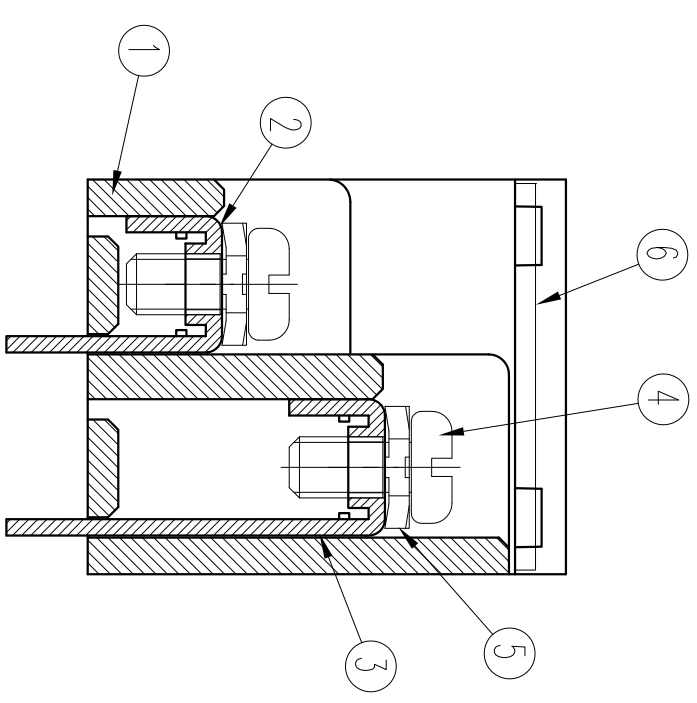
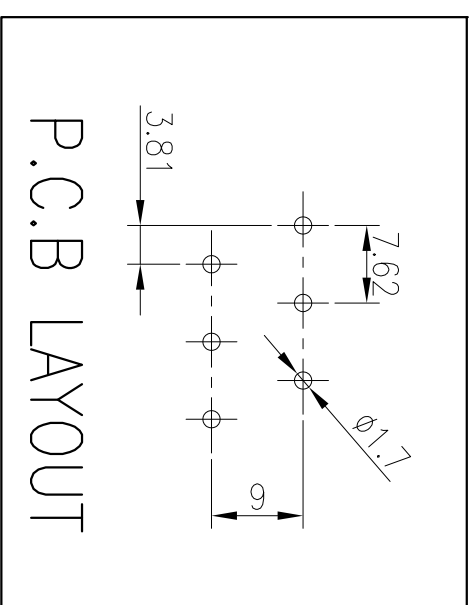
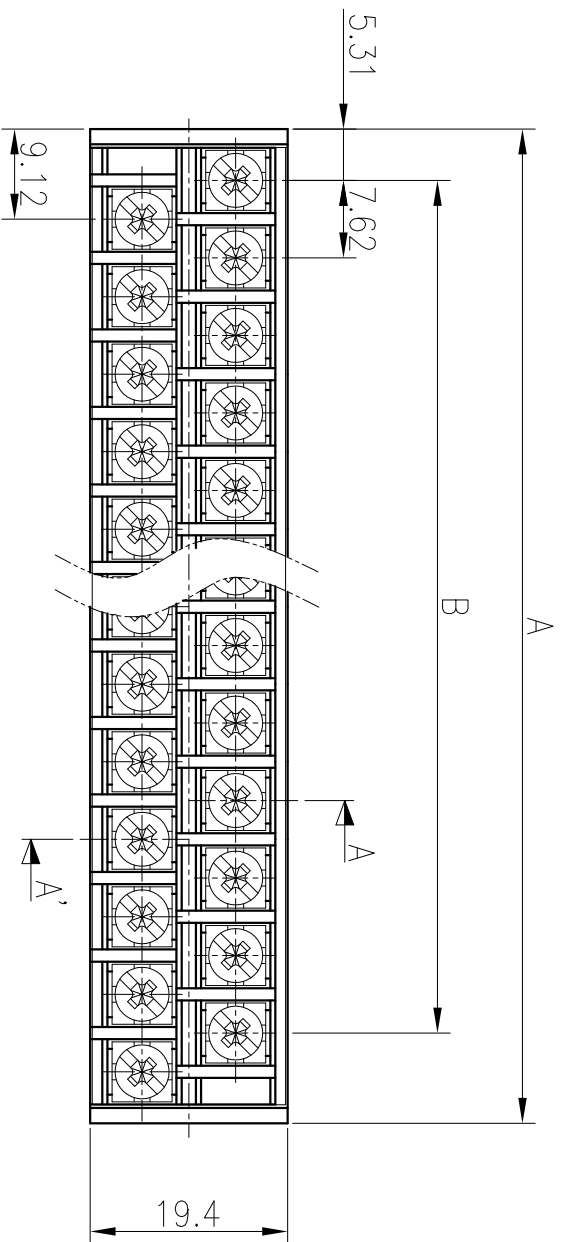
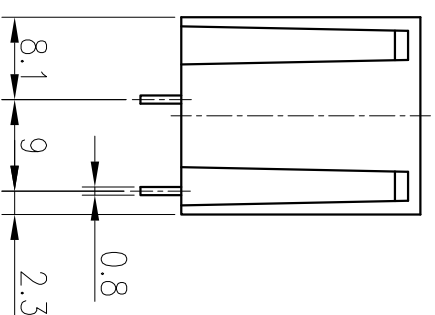
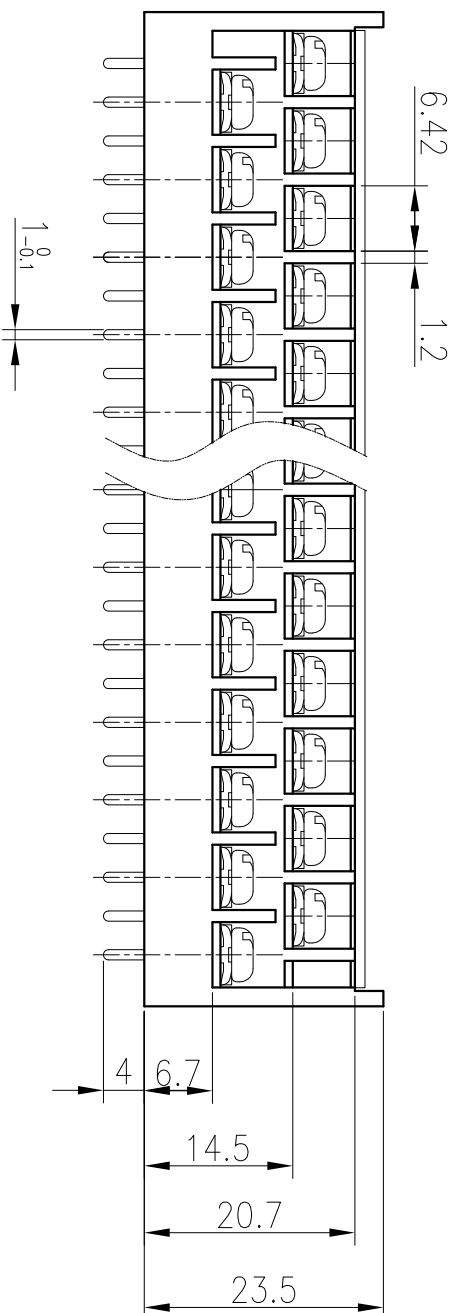


P	1	8	10	12	14	16	18	20	22	24	26	28	30	32	34	36	38	40
A±0.8	-	37.28	44.90	52.52	60.14	67.76	75.38	83.00	90.62	98.24	105.86	113.48	121.10	128.72	136.34	143.96	151.58	159.20
B±0.5	-	22.86	30.48	38.10	45.72	53.34	60.96	68.58	76.20	83.82	91.44	99.06	106.68	114.30	121.92	129.54	137.16	144.78

COMMERCIAL TOLERANCE	
0.5 to 3	± 0.12
over 3 to 6	± 0.16
over 6 to 10	± 0.18
over 10 to 18	± 0.22
over 18 to 30	± 0.25
over 30 to 50	± 0.3
over 50 to 80	± 0.35



SECTION A-A' (2:1)



SPECIFICATION

1. 정격 : 250V 10A
2. 절연 저항 : DC 500V 1000MΩ 이상
3. 내전압 : AC2000V/min
4. 사용온도범위 : -40°C ~ 85°C
5. 조임 Torque 권고치 : 5kgf·cm 이내

*본 제품은 유해 물질 관리 기준치를 초과하지 않는 제품임 (RoHS Compliance)

DRAWN	CHECKED	CHECKED	APPROVED	THIRD ANGLE PROJECTION		
W.R.KIM				DATE.	UNIT	SCALE
09.03.11				2009.03.11	MM	1:1
				TITLE		
				BR - 762C2		
				DWG No.	BRT - 083	



BEE-RYONG ELECTRONICS CO., LTD.

No.	PART No.	PART NAME	MATERIAL	Q'TY	REMARKS	FINISH
⑥		COVER	PVC	1		t1.0 NP
⑤		WASHER	SPCC	P		□ 6X6 Ni
④		SCREW	SWCH10A	P		M3X6 Ni
③		TERMINAL	BRASS	P/2		C2680R 1/2H 0.8t Sn
②		TERMINAL	BRASS	P/2		C2680R 1/2H 0.8t Sn
①		FRAME	P.B.T	1		UL94V-0 (G30) BK