

3.96mm Pitch Connector Series



LW1143-N -33-



LA1143-N -34-



CH1143-N -35-



CT1140 -36-



LWP1143-N -37-



LAP1143-N -38-



CHP1143-N -39-



LWB1143-N -40-



LAB1143-N -41-



CHB1143-N -42-



CTB1140 -43-

Hanlim Electronics Inc

Hanlim Electronics Inc

3.96mm Pitch Wire to Board LW 1143-N Lock Wafer

Features And Specifications

Electrical

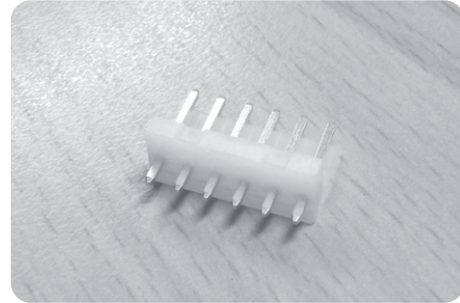
- Voltage Rating : 250VAC max
- Current Rating : 7A max
- Contact Resistance : 30m Ω max
- Insulation Resistance : 1,000M Ω min
- Dielectric Withstanding Voltage : 1000VAC for 60 seconds

Physical

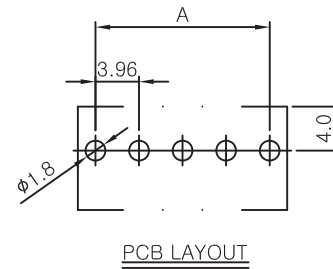
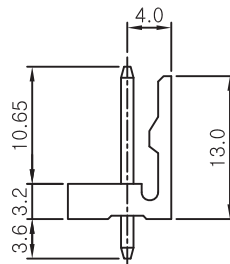
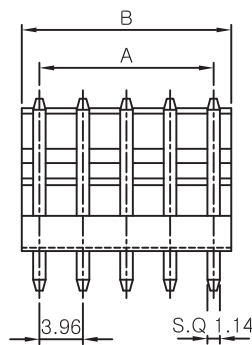
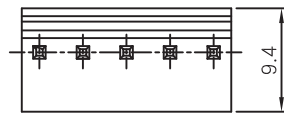
- Housing : Nylon66, UL94V Grade
- Pin : 1.14mm Square Brass Pin, Tin Plated
- Operating Temperature : -40°C ~ +105°C

Reference Information

- Mates With : CH1143-N Series
- Packing : Bag
- UL File No. : E92854
- Designed In : Millimeters



Dimensions (For Reference Only)



Ordering Information And Dimensions

CKT	MODEL NO.	A	B	CKT	MODEL NO.	A	B
2	LW1143-02	3.96	7.16	8	LW1143-08	27.72	30.92
3	LW1143-03	7.92	11.12	9	LW1143-09	31.68	34.88
4	LW1143-04	11.88	15.08	10	LW1143-10	35.64	38.84
5	LW1143-05	15.84	19.04	12	LW1143-12	43.56	46.76
6	LW1143-06	19.80	23.00				
7	LW1143-07	23.76	26.96				

3.96mm Pitch Wire to Board LA 1143-N Lock Angle Wafer

Features And Specifications

Electrical

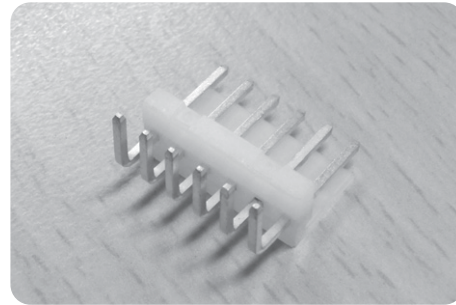
- Voltage Rating : 250VAC max
- Current Rating : 7A max
- Contact Resistance : 30m Ω max
- Insulation Resistance : 1,000M Ω min
- Dielectric Withstanding Voltage : 1,000VAC for 60 seconds

Physical

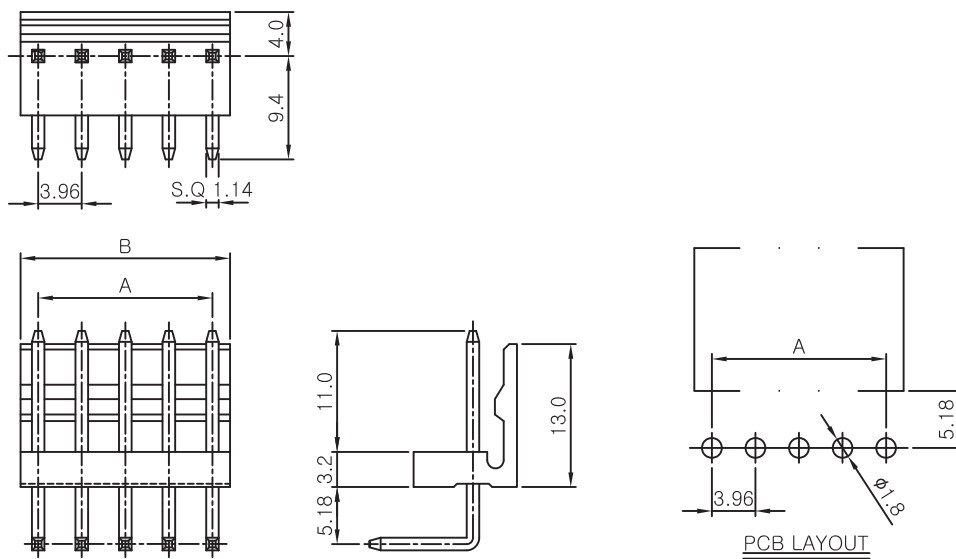
- Housing : Nylon66, UL94V Grade
- Pin : 1.14mm Square Brass Pin, Tin Plated
- Operating Temperature : -40°C ~ +105°C

Reference Information

- Mates With : CH1143-N Series
- Packing : Bag
- UL File No. : E92854
- Designed In : Millimeters



Dimensions (For Reference Only)



Ordering Information And Dimensions

CKT	MODEL NO.	A	B	CKT	MODEL NO.	A	B
2	LA1143-02	3.96	7.16	8	LA1143-08	27.72	30.92
3	LA1143-03	7.92	11.12	9	LA1143-09	31.68	34.88
4	LA1143-04	11.88	15.08	10	LA1143-10	35.64	38.84
5	LA1143-05	15.84	19.04	12	LA1143-12	43.56	46.76
6	LA1143-06	19.80	23.00				
7	LA1143-07	23.76	26.96				

3.96mm Pitch Wire to Board CH 1143-N Crimp Terminal Housing

Features And Specifications

Electrical

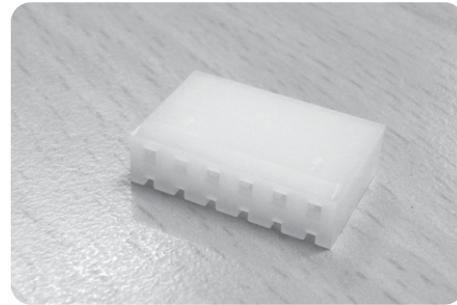
- Voltage Rating : 250VAC max
- Current Rating : 7A max
- Contact Resistance : 30m Ω max
- Insulation Resistance : 1,000M Ω min
- Dielectric Withstanding Voltage : 1,000VAC for 60 seconds

Physical

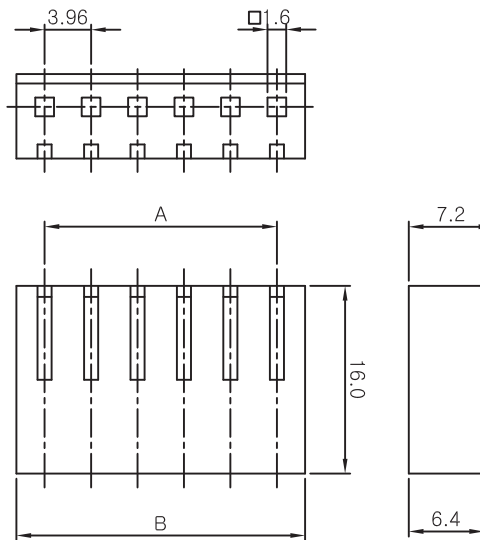
- Housing : Nylon66, UL94V Grade
- Operating Temperature : -40°C ~ +105°C

Reference Information

- Mates With : LW1143-N, LA1143-N, FW1143-N, FA1143-N Series
- Use With : CT1140
- Packing : Bag
- UL File No : E92854
- Designed In : Millimeters



Dimensions (For Reference Only)



Ordering Information And Dimensions

CKT	MODEL NO.	A	B	CKT	MODEL NO.	A	B
2	CH1143-02	3.96	8.76	8	CH1143-08	27.72	32.52
3	CH1143-03	7.92	12.72	9	CH1143-09	31.68	36.48
4	CH1143-04	11.88	16.68	10	CH1143-10	35.64	40.44
5	CH1143-05	15.84	20.64	11	CH1143-12	43.56	48.36
6	CH1143-06	19.80	24.60				
7	CH1143-07	23.76	28.56				

3.96mm Pitch Wire to Board CT 1140 Crimp Terminal

Features And Specifications

Electrical

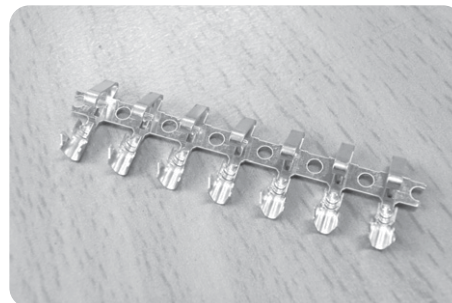
- Voltage Rating : 250VAC max
- Current Rating : 7A max
- Contact Resistance : 30m Ω max
- Insulation Resistance : 1,000M Ω min
- Dielectric Withstanding Voltage : 1,000VAC for 60 seconds

Physical

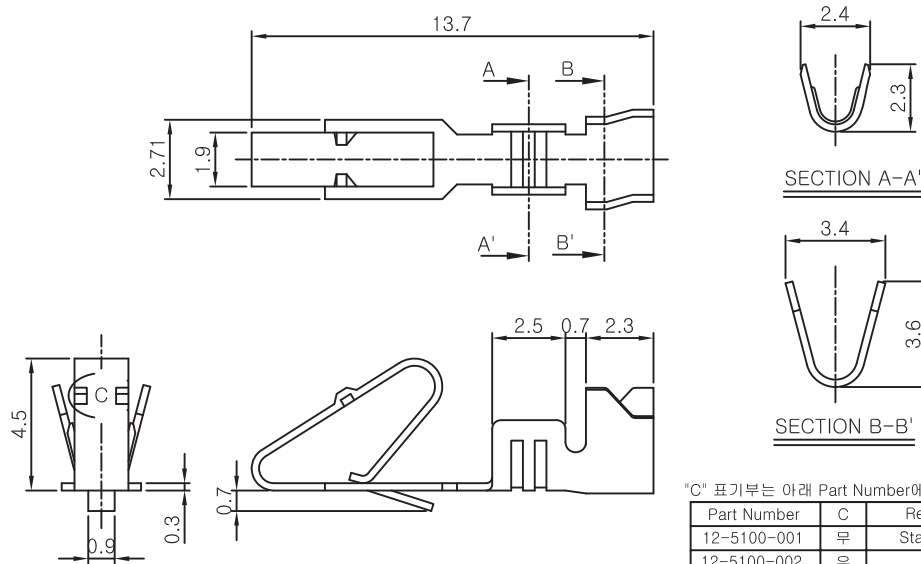
- Terminal : Brass, Tin Plated
- Operating Temperature : -40 $^{\circ}$ C ~ +105 $^{\circ}$ C

Reference Information

- Applicable Wire : AWG#18~#24
- Use With : CH1143-N, CHP1143-N, CH1145-N, CHP1145-N Series
- Packing : Reel
- UL File No : E92854



Dimensions (For Reference Only)



Ordering Information And Dimensions

Order No.	Packing	Wire Gauge	Insulation Diameter	Contact Material
CT1140	6,000Pcs/Reel	AWG#18~#24	ϕ 2.5mm Max	Brass, Tin Plated
	Loose			
CT1140 GOLD	6,000Pcs/Reel	AWG#18~#24	ϕ 2.5mm Max	Brass, Tin Plated
	Loose			

3.96mm Pitch Wire to Board LWP 1143-N Lock Polarizing Wafer

Features And Specifications

Electrical

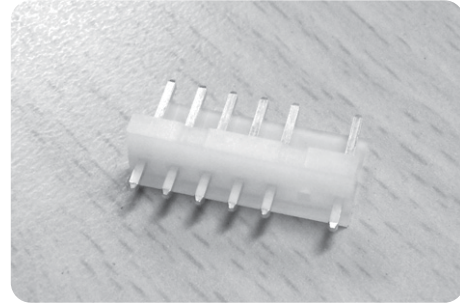
- Voltage Rating : 250VAC max
- Current Rating : 7A max
- Contact Resistance : 30m Ω max
- Insulation Resistance : 1,000M Ω min
- Dielectric Withstanding Voltage : 1,000VAC for 60 seconds

Physical

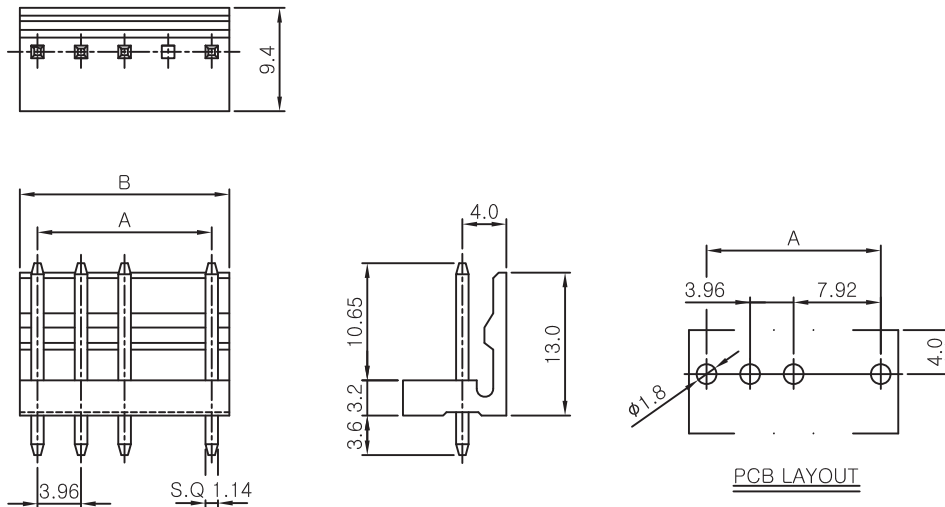
- Housing : Nylon66, UL94V Grade
- Pin : 1.14mm Square Brass Pin, Tin Plated
- Operating Temperature : -40°C ~ +105°C

Reference Information

- Mates With : CHP1143-N Series
- Packing : Bag
- UL File No. : E92854
- Designed In : Millimeters



Dimensions (For Reference Only)



Ordering Information And Dimensions

CKT	MODEL NO.	A	B	CKT	MODEL NO.	A	B
2	LWP1143-02	7.92	11.12	7	LWP1143-07	27.72	30.92
3	LWP1143-03	11.88	15.08	8	LWP1143-08	31.68	34.88
4	LWP1143-04	15.84	19.04	9	LWP1143-09	35.64	38.84
5	LWP1143-05	19.80	23.00	10	LWP1143-10	39.60	42.80
6	LWP1143-06	23.76	26.96	11	LWP1143-11	43.56	46.76

3.96mm Pitch Wire to Board LAP 1143-N Lock Polarizing Angle Wafer

Features And Specifications

Electrical

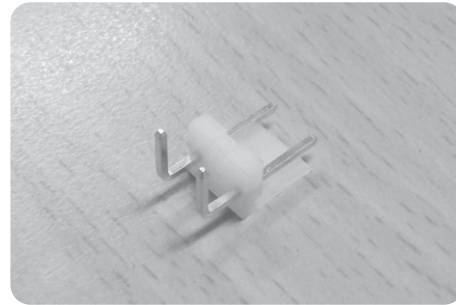
- Voltage Rating : 250VAC max
- Current Rating : 7A max
- Contact Resistance : 30m Ω max
- Insulation Resistance : 1,000M Ω min
- Dielectric Withstanding Voltage : 1,000VAC for 60 seconds

Physical

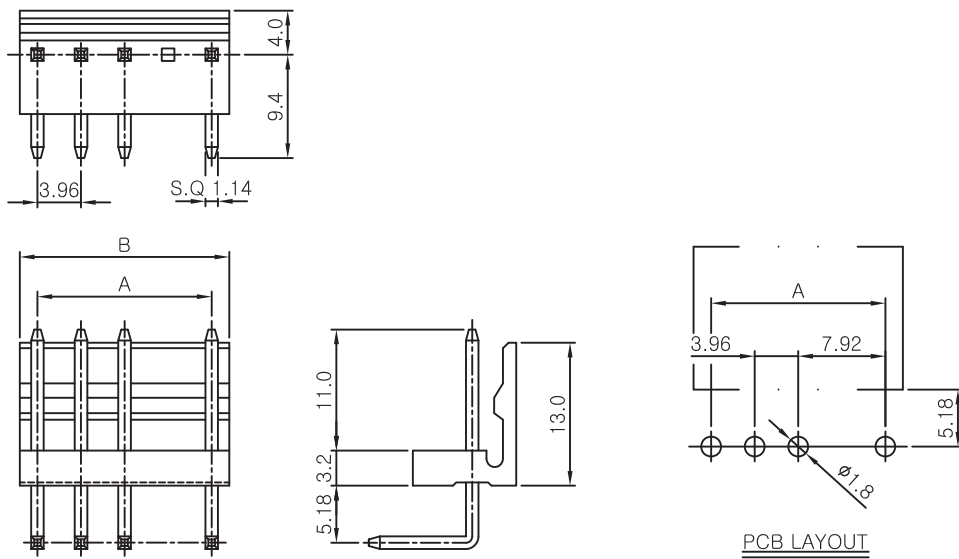
- Housing : Nylon66, UL94V Grade
- Pin : 1.14mm Square Brass Pin, Tin Plated
- Operating Temperature : -40 $^{\circ}$ C ~ +105 $^{\circ}$ C

Reference Information

- Mates With : CHP1143-N Series
- Packing : Bag
- UL File No. : E92854
- Designed In : Millimeters



Dimensions (For Reference Only)



Ordering Information And Dimensions

CKT	MODEL NO.	A	B	CKT	MODEL NO.	A	B
2	LAP1143-02	7.92	11.12	7	LAP1143-07	27.72	30.92
3	LAP1143-03	11.88	15.08	8	LAP1143-08	31.68	34.88
4	LAP1143-04	15.84	19.04	9	LAP1143-09	35.64	38.84
5	LAP1143-05	19.80	23.00	10	LAP1143-10	39.60	42.80
6	LAP1143-06	23.76	26.96	11	LAP1143-11	43.56	46.76

3.96mm Pitch Wire to Board CHP 1143-N Crimp Terminal Polarizing Housing

Features And Specifications

Electrical

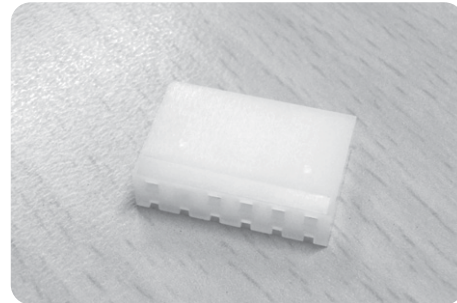
- Voltage Rating : 250VAC max
- Current Rating : 7A max
- Contact Resistance : 30m Ω max
- Insulation Resistance : 1,000M Ω min
- Dielectric Withstanding Voltage : 1,000VAC for 60 seconds

Physical

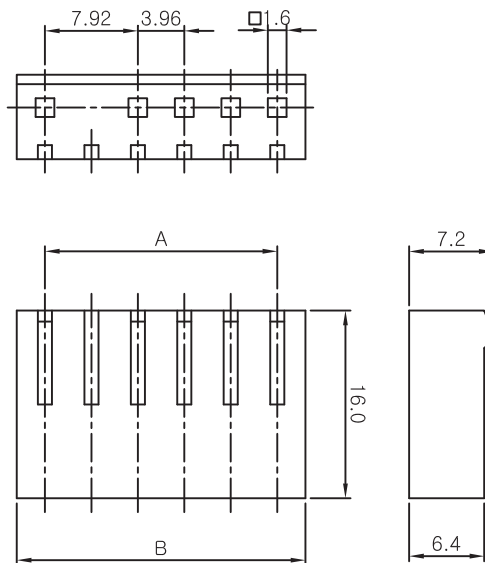
- Housing : Nylon66, UL94V Grade
- Operating Temperature : -40°C ~ +105°C

Reference Information

- Mates With : LWP1143-N,LAP1143-N,FWP1143-N,FAP1143-N Series
- Use With : CT1140
- Packing : Bag
- UL File No : E92854
- Designed In : Millimeters



Dimensions (For Reference Only)



Ordering Information And Dimensions

CKT	MODEL NO.	A	B	CKT	MODEL NO.	A	B
2	CHP1143-02	7.92	12.72	7	CHP1143-07	27.72	32.52
3	CHP1143-03	11.88	16.68	8	CHP1143-08	31.68	36.48
4	CHP1143-04	15.84	20.64	9	CHP1143-09	35.64	40.44
5	CHP1143-05	19.80	24.60	10	CHP1143-10	39.60	44.40
6	CHP1143-06	23.76	28.56	11	CHP1143-11	43.56	48.36

3.96mm Pitch Wire to Board LWB 1143-N Lock Wafer

Features And Specifications

Electrical

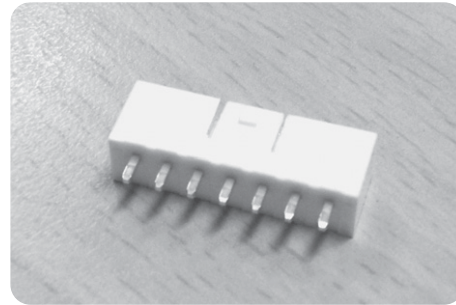
- Voltage Rating : 250VAC max
- Current Rating : 6A max
- Contact Resistance : 30m Ω max
- Insulation Resistance : 1,000M Ω min
- Dielectric Withstanding Voltage : 1,000VAC for 60 seconds

Physical

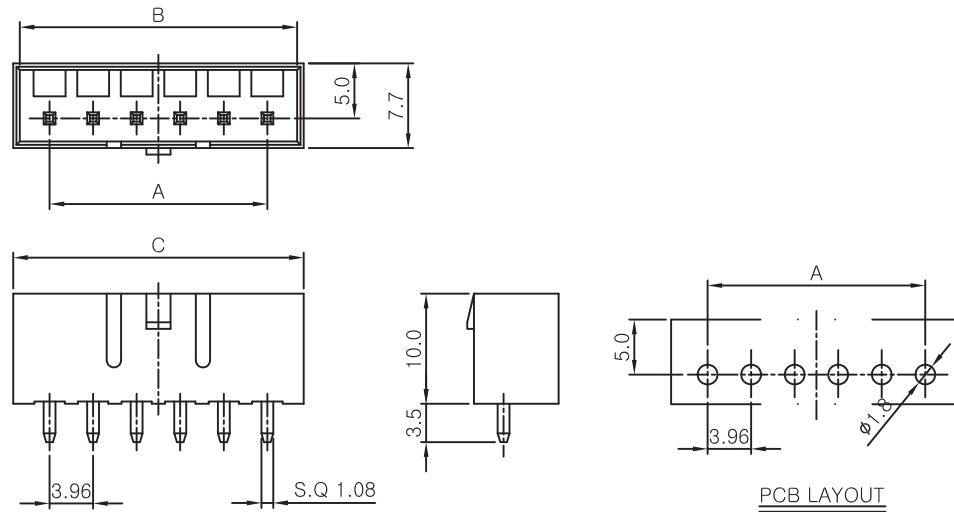
- Housing : Nylon66, UL94V Grade
- Pin : 1.08mm Square Brass Pin, Tin Plated
- Operating Temperature : -40 $^{\circ}$ C ~ +105 $^{\circ}$ C

Reference Information

- Mates With : CHB1143-N Series
- Packing : Bag
- UL File No. : E92854
- Designed In : Millimeters



Dimensions (For Reference Only)



Ordering Information And Dimensions

CKT	MODEL NO.	A	B	C	CKT	MODEL NO.	A	B	C
2	LWB1143-02	3.96	9.18	10.58	10	LWB1143-10	35.64	40.86	42.26
3	LWB1143-03	7.92	13.14	14.54					
4	LWB1143-04	11.88	17.10	18.50					
5	LWB1143-05	15.84	21.06	22.46					
6	LWB1143-06	19.80	25.02	26.42					
7	LWB1143-07	23.76	28.98	30.38					
8	LWB1143-08	27.72	32.94	34.34					
9	LWB1143-09	31.68	36.90	38.30					

3.96mm Pitch Wire to Board LAB 1143-N Lock Angle Wafer

Features And Specifications

Electrical

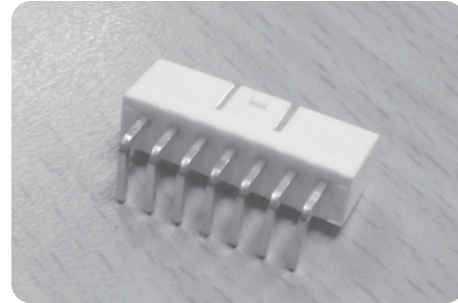
- Voltage Rating : 250VAC max
- Current Rating : 6A max
- Contact Resistance : 30m Ω max
- Insulation Resistance : 1,000M Ω min
- Dielectric Withstanding Voltage : 1,000VAC for 60 seconds

Physical

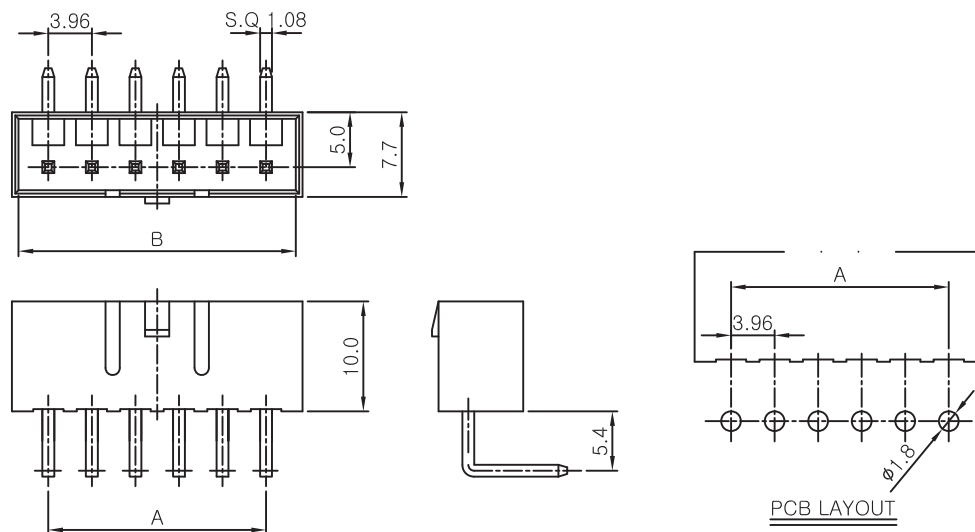
- Housing : Nylon66, UL94V Grade
- Pin : 1.08mm Square Brass Pin, Tin Plated
- Operating Temperature : -40°C ~ +105°C

Reference Information

- Mates With : CHB1143-N Series
- Packing : Bag
- UL File No. : E92854
- Designed In : Millimeters



Dimensions (For Reference Only)



Ordering Information And Dimensions

CKT	MODEL NO.	A	B	C	CKT	MODEL NO.	A	B	C
2	LAB1143-02	3.96	9.18	10.58	10	LAB1143-10	35.64	40.86	42.26
3	LAB1143-03	7.92	13.14	14.54					
4	LAB1143-04	11.88	17.10	18.50					
5	LAB1143-05	15.84	21.06	22.46					
6	LAB1143-06	19.80	25.02	26.42					
7	LAB1143-07	23.76	28.98	30.38					
8	LAB1143-08	27.72	32.94	34.34					
9	LAB1143-09	31.68	36.90	38.30					

3.96mm Pitch Wire to Board CHB 1143-N Crimp Terminal Housing

Features And Specifications

Electrical

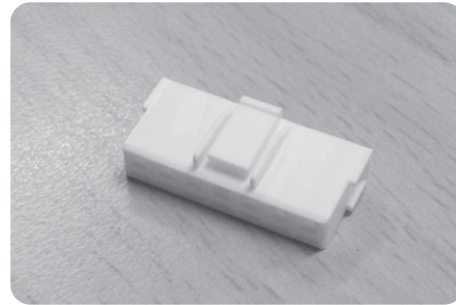
- Voltage Rating : 250VAC max
- Current Rating : 6A max
- Contact Resistance : 30m Ω max
- Insulation Resistance : 1,000M Ω min
- Dielectric Withstanding Voltage : 1,000VAC for 60 seconds

Physical

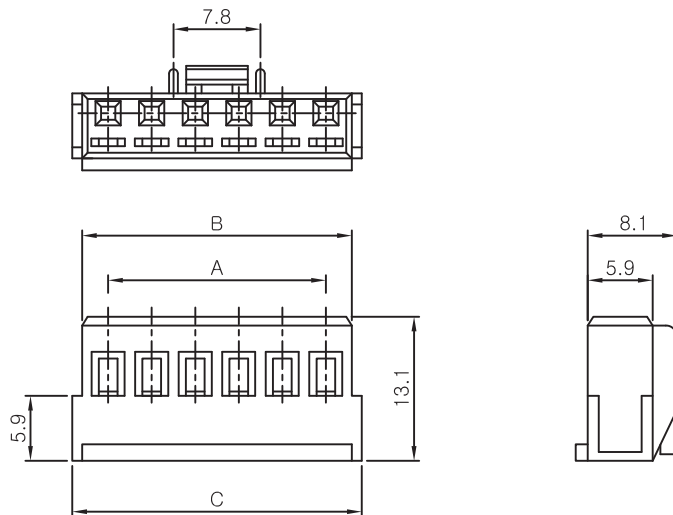
- Housing : Nylon66, UL94V Grade
- Operating Temperature : -40 $^{\circ}$ C ~ +105 $^{\circ}$ C

Reference Information

- Mates With : LWB1143-N, LAB1143-N Series
- Use With : CTB1140
- Packing : Bag
- UL File No : E92854
- Designed In : Millimeters



Dimensions (For Reference Only)



Ordering Information And Dimensions

CKT	MODEL NO.	A	B	C	CKT	MODEL NO.	A	B	C
2	CHB1143-02	3.96	8.68	10.48	10	CHB1143-10	35.64	40.36	42.16
3	CHB1143-03	7.92	12.64	14.44					
4	CHB1143-04	11.88	16.60	18.40					
5	CHB1143-05	15.84	20.56	22.36					
6	CHB1143-06	19.80	24.52	26.32					
7	CHB1143-07	23.76	28.48	30.28					
8	CHB1143-08	27.72	32.44	34.24					
9	CHB1143-09	31.68	36.40	38.20					

3.96mm Pitch Wire to Board CTB 1140 Crimp Terminal

Features And Specifications

Electrical

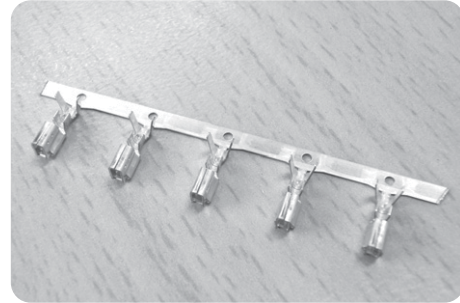
- Voltage Rating : 250VAC max
- Current Rating : 6A max
- Contact Resistance : 30m Ω max
- Insulation Resistance : 1,000M Ω min
- Dielectric Withstanding Voltage : 1,000VAC for 60 seconds

Physical

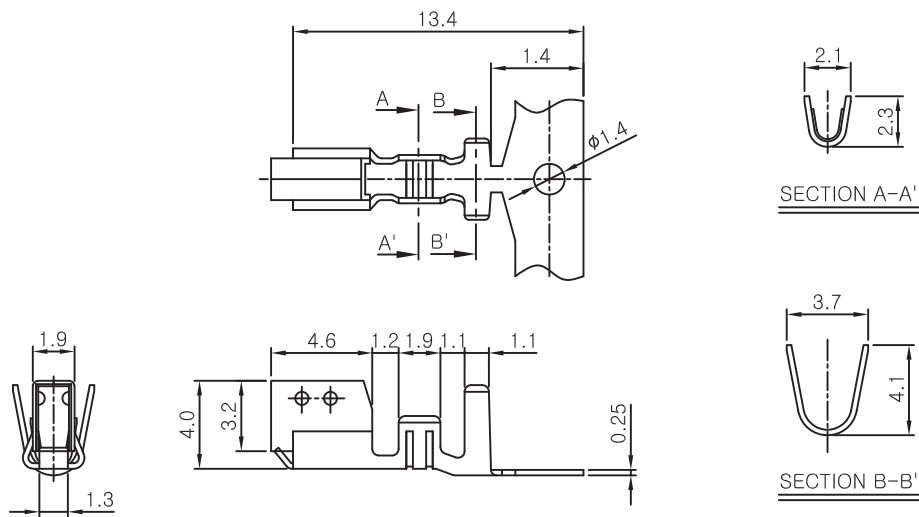
- Terminal : Phosphor Bronze, Tin Plated
- Operating Temperature : -40°C ~ +105°C

Reference Information

- Applicable Wire : AWG#18~#24
- Use With : CHB1143-N Series
- Packing : Reel
- UL File No : E92854
- Designed In : Millimeters



Dimensions (For Reference Only)



Ordering Information And Dimensions

Order No.	Packing	Wire Gauge	Insulation Diameter	Contact Material
CTB1140	4,000Pcs/Reel	AWG#18~#24	ϕ 2.5mm Max	Tin Plated
	Loose			Phosphor Bronze