

XGZP6101 Pressure Transducer

Feature

- Firm construction, Easy installation
- High accuracy and Low price
- Advanced anti-interference, wave protection
- Perfect Anti-shock, anti-overload, corrosion-resistant
- Multiple pressure port and electric connection.



Applications

- Air Compressor, frequency-alterable constant voltage water supply, building automatic control.
- HVAC controlling (Heating, Ventilation and Air Conditioning), Refrigeration, process controlling, hydraulic pressure monitoring, etc.
- Other pressure measure and control of petroleum, chemi-industry, metallurgy, power station, hydrology, etc.,

Introduction

XGZP6101 Pressure Transducer is high performance and low cost products. It is structured by Piezo-resistive OEM sensor with isolated diaphragm as signal sensing element, adopt the special ASCI amplifier circuit and stainless steel housing.

XGZP6101 Transducer is integrally temperature compensated and linearity corrected that can meet the requirement of measure and control under complex environment. Through strict component making, semi-finished product and all-finished product testing and aging, the transmitter is stable and reliable, having excellent consistency, anti-interference, anti-overload and sensitivity.

XGZP6101 Transducer provide various output mode and pressure interface, the OEM service can meet extremely clients application requirement.

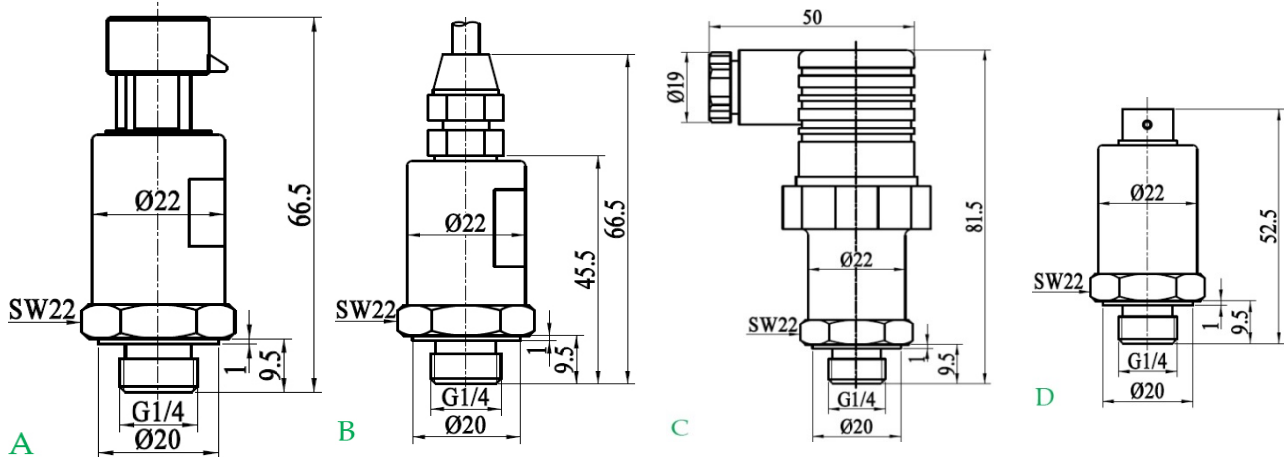
Pressure Range (100kPa=0.1mPa=1Bar≈14.5PSI)

Range	Unit	Range	Unit	Range	Unit
0 ~ 1	mPa	0 ~ 150	PSI	0 ~ 10	Bar
0 ~ 1.6	mPa	0 ~ 240	PSI	0 ~ 16	Bar
0 ~ 2.5	mPa	0 ~ 375	PSI	0 ~ 25	Bar
0 ~ 3	mPa	0 ~ 450	PSI	0 ~ 35	Bar

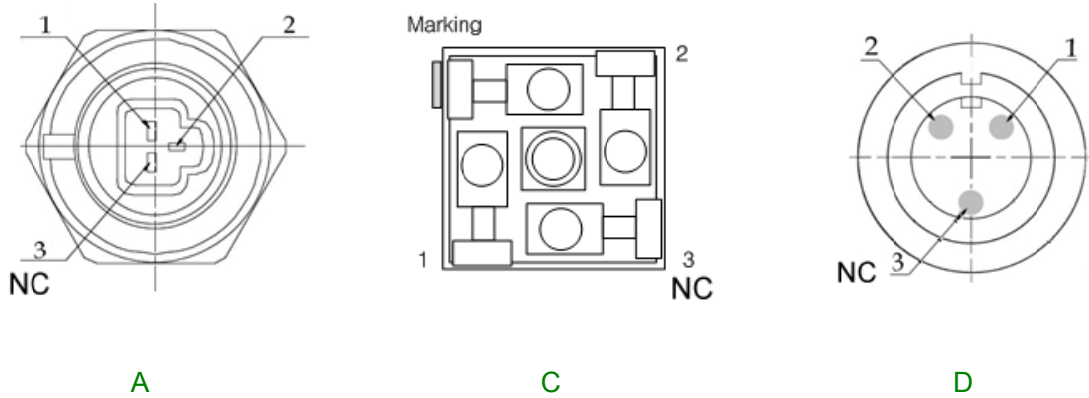
Performance Parameter

Item	Data	Unit
Accuracy(non-lin., rep. and hys.)	±1	%Span
Zero Thermal Drift	±0.03	%FS/°C
Span Thermal Drift	±0.03	%FS/°C
Long Term Stability(1year)	±1	%Span
Insulation Impedance (250Vdc)	50	MΩ
Over pressure	2×	Rated
Burst Pressure	3×	Rated
Pressure Circulation(Zero- Span)	1	Million
Compensation Temp.	-10~85/-14~176	°C/°F
Operating Temp.	0~90/40~194	°C/°F
Storage Temp.	-40~125/40~257	°C/°F
Load Impedance	≤ (U-8) /0.02	Ω
Vibration	±20	g
Shock(11mS)	100	g
Housing&IP grade	304SS&IP65	

General condition:Power Input: 10-28VDC&Reference Temp.: (25±1)°C/(77±1.8)°F

Dimension (Unit:mm)


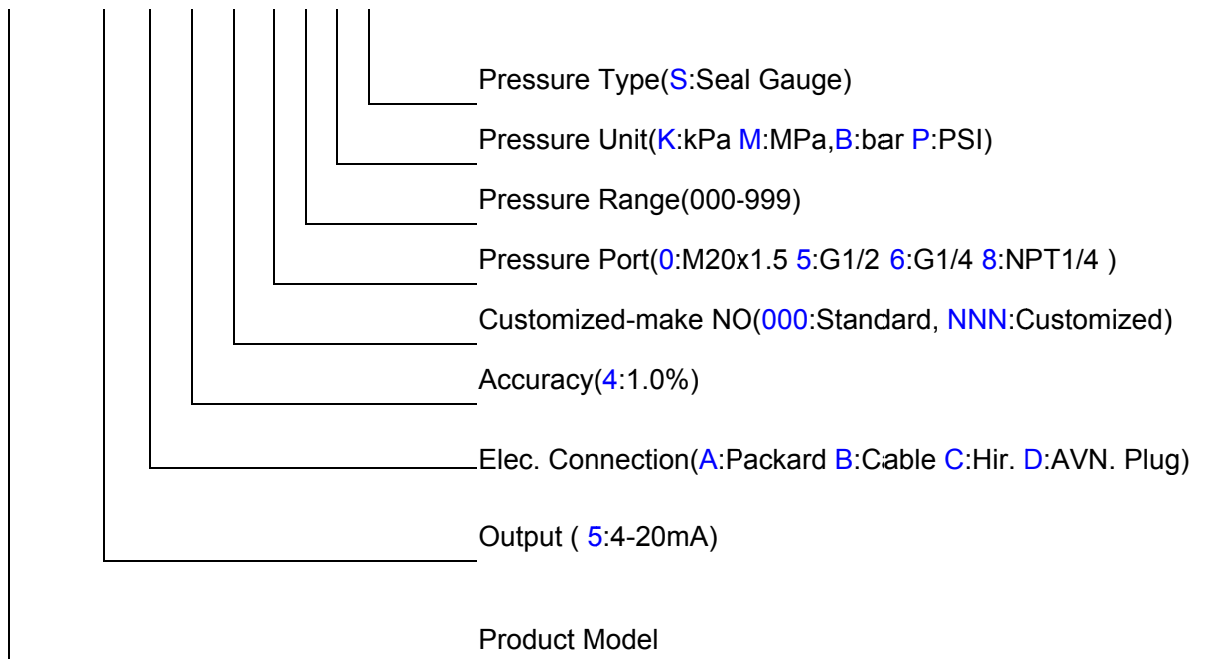
Electrical Connection&Definition



PIN Code or Cable Color				Elec-Definition
A code	B code	C code	D code	
1(red)	black	1	1(red)	Power: +V
2(yellow)	red	2	2(black)	Signal:OUT

Order Guide

XGZP6101 5 B 4 000 6 10 B S



Notes

Please contact us if special request on parameter and application.